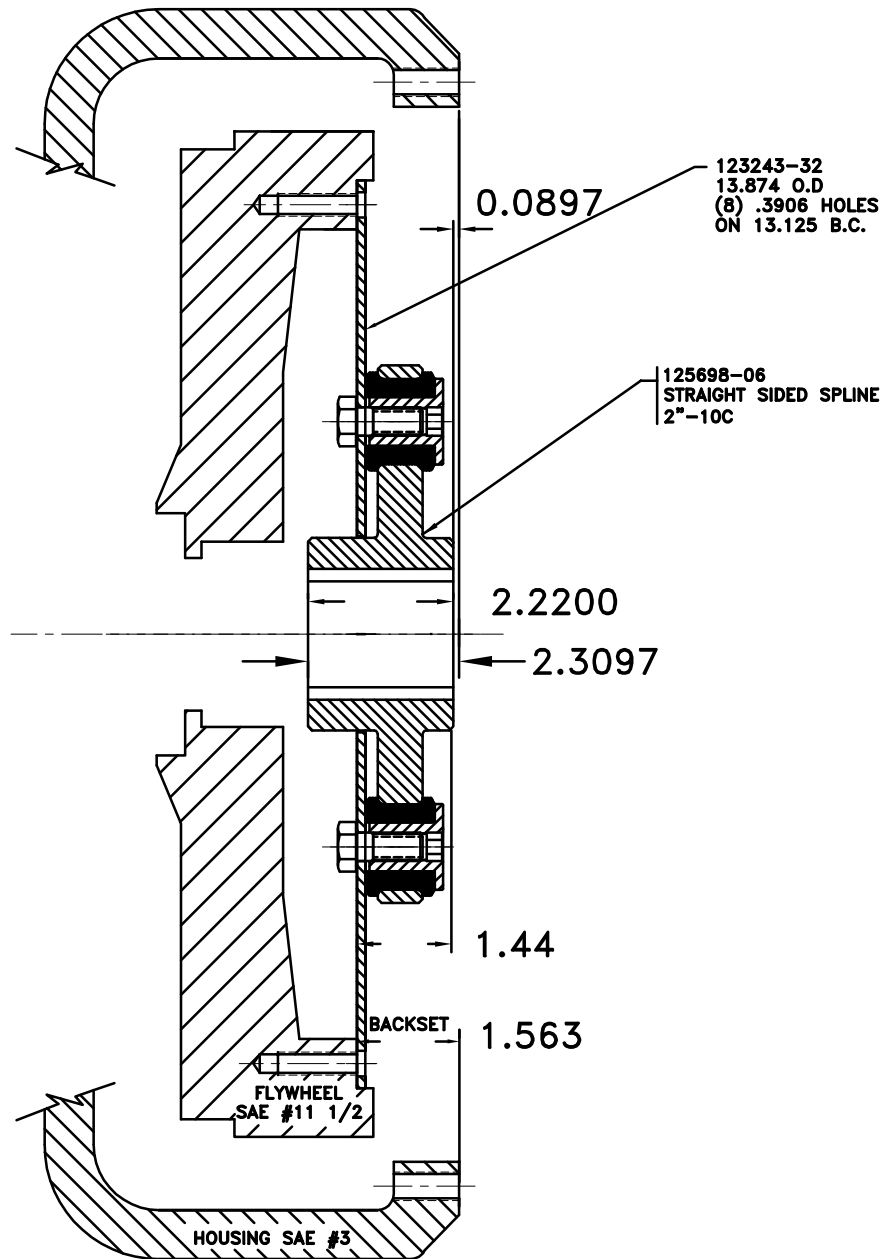


SYL.	DATE	CHANGE DESCRIPTION	BY:



QTY.	PART NUMBER	DESCRIPTION	QTY.
6	801912	GREASE	1
5	H92500	NEOPRENE INSERT	10
4	HX200	7/16-20-1 BOLT	10
3	124412	THREADED BUSHING	10
2	125698-06	COUPLING HUB	1
1	123243-32	FLYWHEEL PLATE	1

SYMBOLS  
 FLATNESS  
 STRAIGHTNESS  
 ANGULARITY  
 SQUARENESS  
 PARALLELISM  
 CONCENTRICITY  
 THICK POSITION  
 SYMMETRY  
 LOC. SURFACE  
 ROUNDNESS  
 RUN OUT  
 FREE!

DO NOT SCALE  
 DRAWING  
 TOLERANCES UNLESS  
 OTHERWISE SPECIFIED  
 TABLE 141 OF  
 FRACTION 21/72  
 DECIMAL  
 .05  
 .005  
 .0025  
 .00125

**HAYES**  
MANUFACTURING INC.

TITLE  
**COUPLING ASS'Y**

MATERIAL

- UNLESS OTHERWISE SPECIFIED - REMOVE FIRST THREAD ON ALL TAPPED HOLES BREAK ALL SHARP CORNERS .010 TO .020 STAMP OR MARK DRAWING NO.		DRAWN BY <b>HAVEMAN</b>	DATE <b>2-21-00</b>	DRAWING NO. <b>125813</b>
		CHECKED BY	SCALE	SHEET OF REV.

THIS DRAWING IS THE PROPERTY OF HAYES MFG. INC. AND IS LOANED  
 SUBJECT TO THE CONDITION THAT IT SHALL NOT BE REPRODUCED,  
 COPIED, LOANED OR OTHERWISE DISPOSED OF, DIRECTLY OR INDIRECTLY.  
 IT SHALL BE USED AS A MEANS OF REFERENCE TO WORK FURNISHED BY  
 THIS COMPANY ONLY AND IS NOT TO BE SUBMITTED TO OUTSIDE PARTIES  
 FOR EXAMINATION WITHOUT OUR CONSENT.