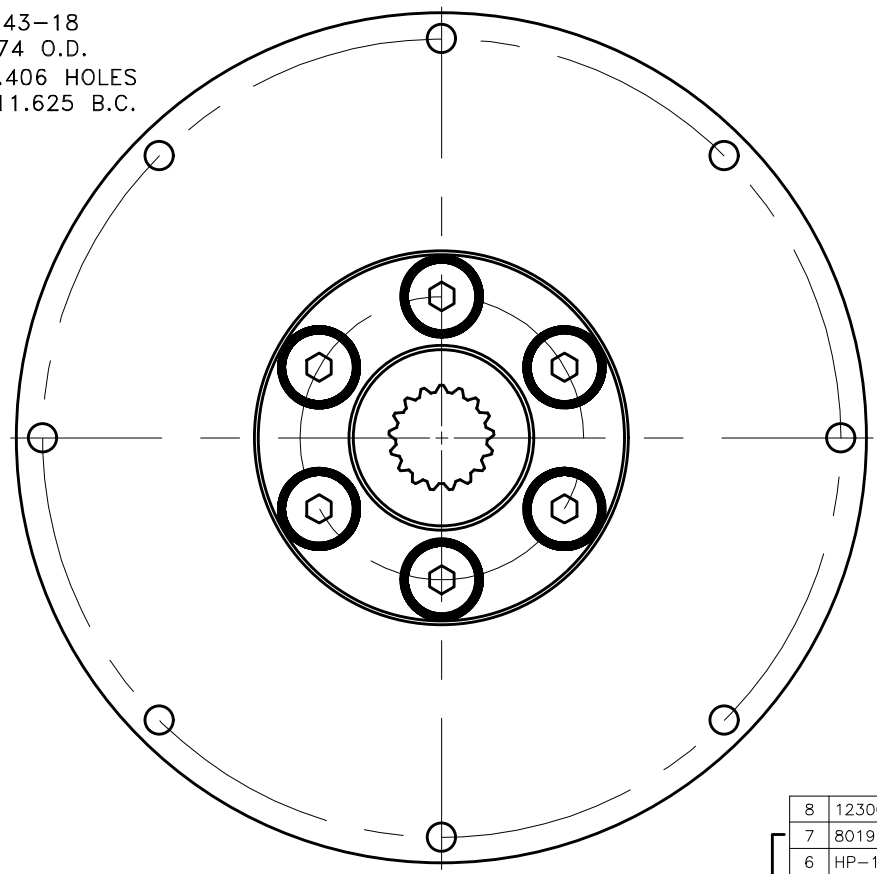
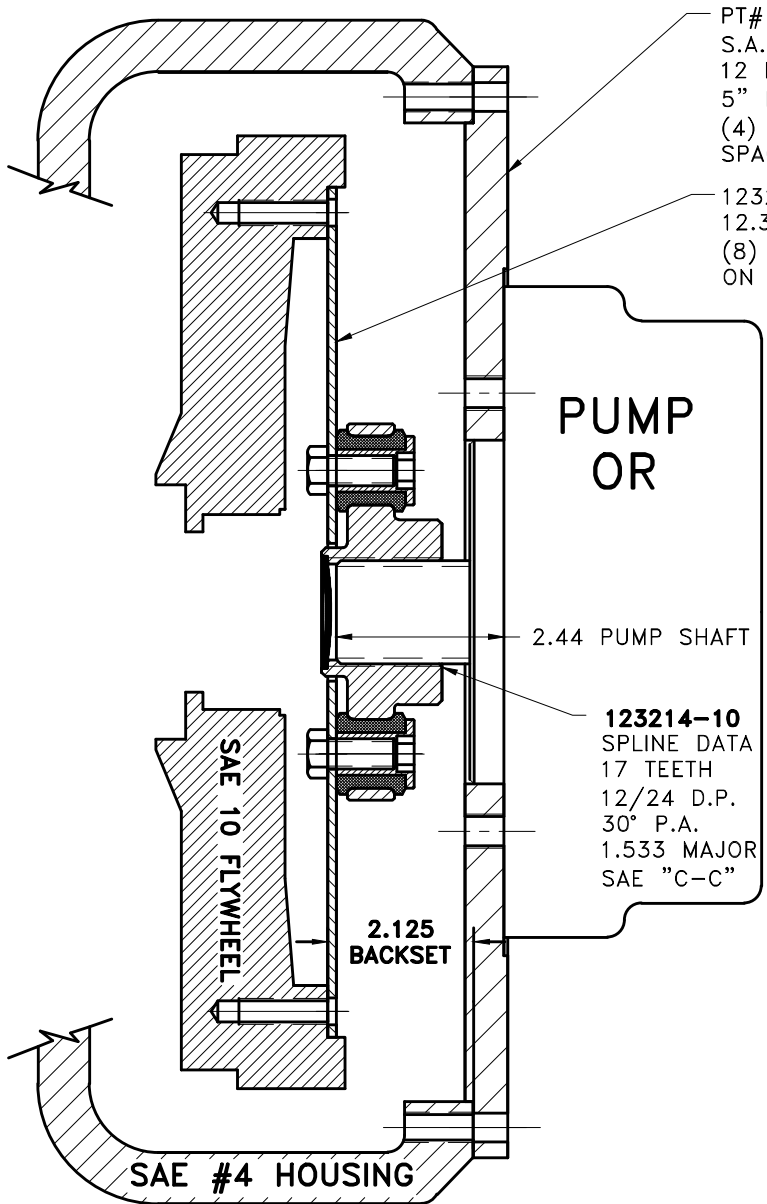


REV	DATE	CHANGE DESCRIPTION	MOD.BY	CK1	CK2
B	01/03/2014	CHANGED TO THREADED BUSHING+	KNH	HM	JM



COUPLING ASS'Y
#123900

UP TO 110 HP

QTY.	DESCRIPTION	PART NUMBER
1	FLYWHEEL PLATE [10]	123243-18
1	COUPLING HUB [17T12/24]	123214-10
6	NEOPRENE INSERT	H62500
6	THREADED BUSHING	123727
6	7/16-20x1 HHB Y D BOLT	BOLT
1	HUBBARD PLUG	HP-1625-S-62
1	GREASE	801912
1	PUMP MOUNT PLATE [C4]	123008-EX4

SYMBOLS	DET.	PART NUMBER	DESCRIPTION	QTY.
<ul style="list-style-type: none"> ▭ FLATNESS ▭ STRAIGHTNESS ▭ ANGULARITY ▭ SQUARENESS ▭ PARALLELISM ⊙ CONCENTRICITY ⊕ TRUE POSITION ○ ROUNDNESS ⊖ CIRCULAR RUN OUT ⊖ TOTAL RUN OUT ⊖ CYLINDRICITY ✓ FINISH 	DO NOT SCALE DRAWING			
	TOLERANCES UNLESS OTHERWISE SPECIFIED			
	ANGLE ±1/2°			
	FRACTION ±1/32			
	DECIMAL			
	.00 ±.01			
	.000 ±.005			
	.0000 ±.0005			
<p>— UNLESS OTHERWISE SPECIFIED — REMOVE FIRST THREAD ON ALL TAPPED HOLES BREAK ALL SHARP CORNERS .010 TO .020 STAMP OR MARK DRAWING NO.</p>				
		<p>TITLE FLYWHEEL COUPLING ASSY WITH PUMP MOUNT PLATE</p>		
DRAWN BY HAYEMAN		DATE 3-8-00		DRAWING NO. 125840
CHECKED BY		SCALE		SHEET OF REV.

THIS DRAWING IS THE PROPERTY OF HAYES MFG. INC. AND IS LOANED SUBJECT TO THE CONDITION THAT IT SHALL NOT BE REPRODUCED, COPIED, LOANED OR OTHERWISE DISPOSED OF, DIRECTLY OR INDIRECTLY. IT SHALL BE USED AS A MEANS OF REFERENCE TO WORK FURNISHED BY THIS COMPANY ONLY AND IS NOT TO BE SUBMITTED TO OUTSIDE PARTIES FOR EXAMINATION WITHOUT OUR CONSENT.