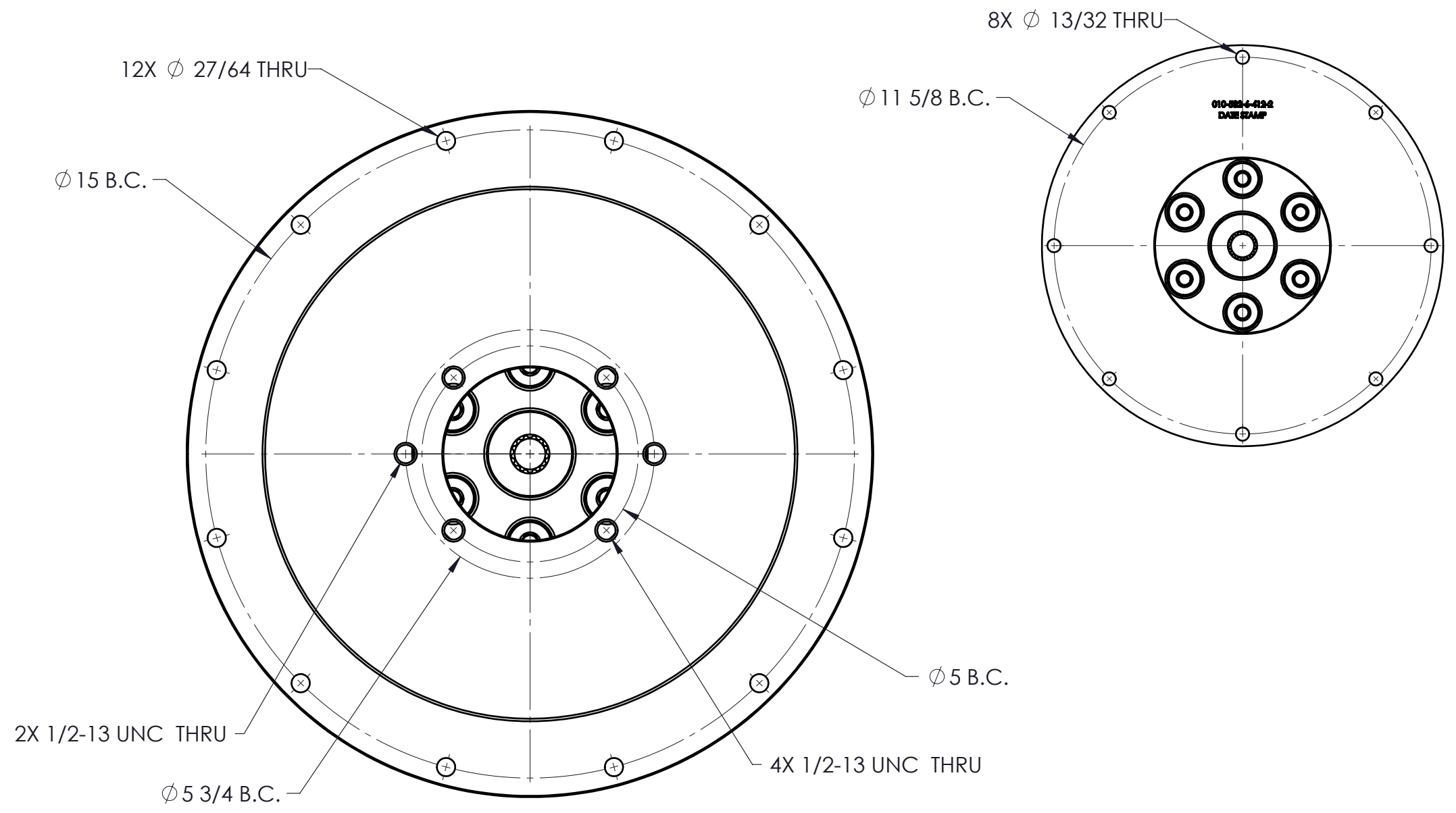
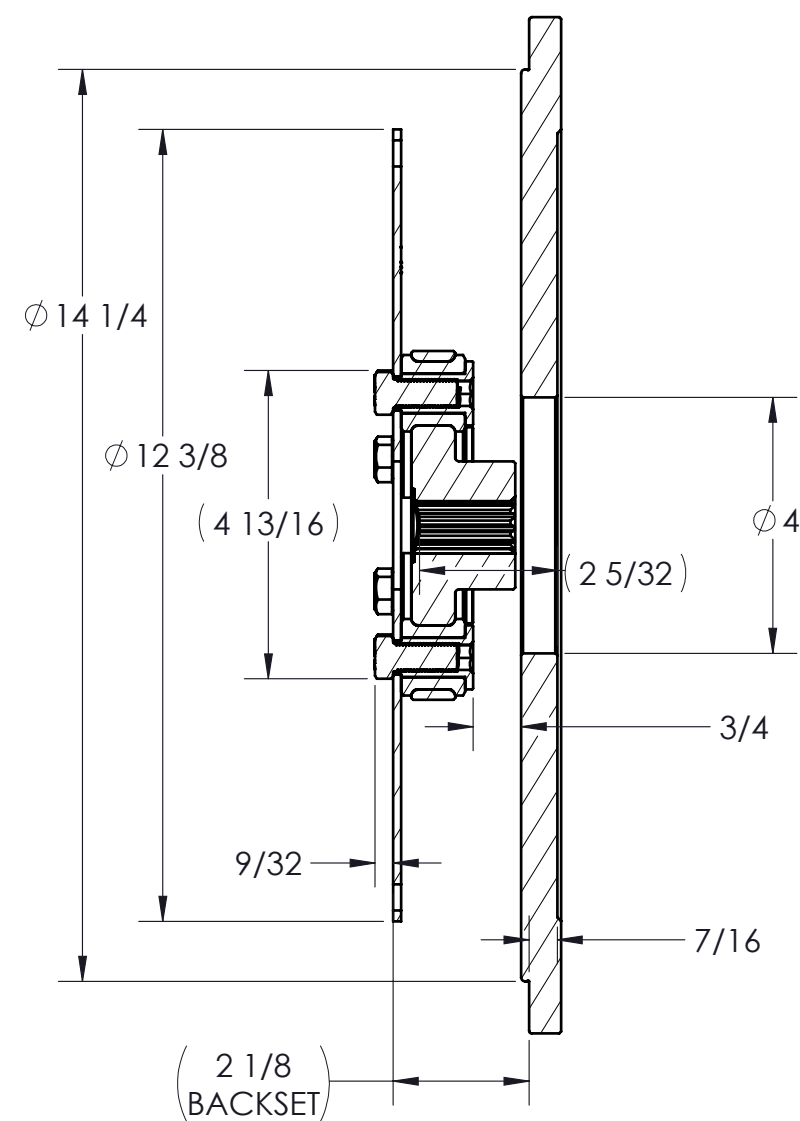


**CUSTOMER DRAWING**

REVISIONS					
ZONE	REV.	DESCRIPTION	DATE	APR 1	APR 2
3-B2, 4-B2	B	CHANGED TO PILOTED BUSHIGNS	9/15/2022	ZS	



ITEM NO.	PART NUMBER	DESCRIPTION	QTY.
1	124045	FLYWHEEL COUPLING	1
2	123845-04	PUMP MOUNT PLATE	1

PUMP DRIVE SPECS	
FLYWHEEL	SAE 10
HOUSING	SAE 4
PUMP FLANGE	SAE B 2&4-BOLT
PUMP SHAFT	13T 16/32 "B"
HP RATING (@1800 RPM)	110

UNLESS OTHERWISE SPECIFIED:		SYMBOLS	
DIMENSIONS ARE IN INCHES		□ FLATNESS	⊙ CONCENTRICITY
TOLERANCES:		○ ROUNDNESS	⊕ TRUE POSITION
FRACTIONAL ± 1/32	ANGULAR: MACH ± 1/2°	// PARALLELISM	⊥ PERPENDICULARITY
TWO DECIMAL ± 0.01	THREE DECIMAL ± 0.005	∅ DIAMETER	↗ CIRCULAR RUN OUT
FOUR DECIMAL ± 0.0005		"R" RADIUS	↗ TOTAL RUN OUT

**PROPRIETARY AND CONFIDENTIAL**  
 THE INFORMATION CONTAINED IN THIS DRAWING IS THE SOLE PROPERTY OF HAYES MANUFACTURING. ANY REPRODUCTION IN PART OR AS A WHOLE WITHOUT THE WRITTEN PERMISSION OF HAYES MANUFACTURING IS PROHIBITED.

**HAYES**

TITLE: **PUMP DRIVE KIT**

DRAWN	VHA	DATE	9/13/2021
PCM APPR.			
ENG APPR.	ZS		0/19/2022
SHIP. APPR.			
QA APPR.			
MATERIAL			

DWG. NO. 125862      REV **B**

DO NOT SCALE      SHEET 1 OF 4