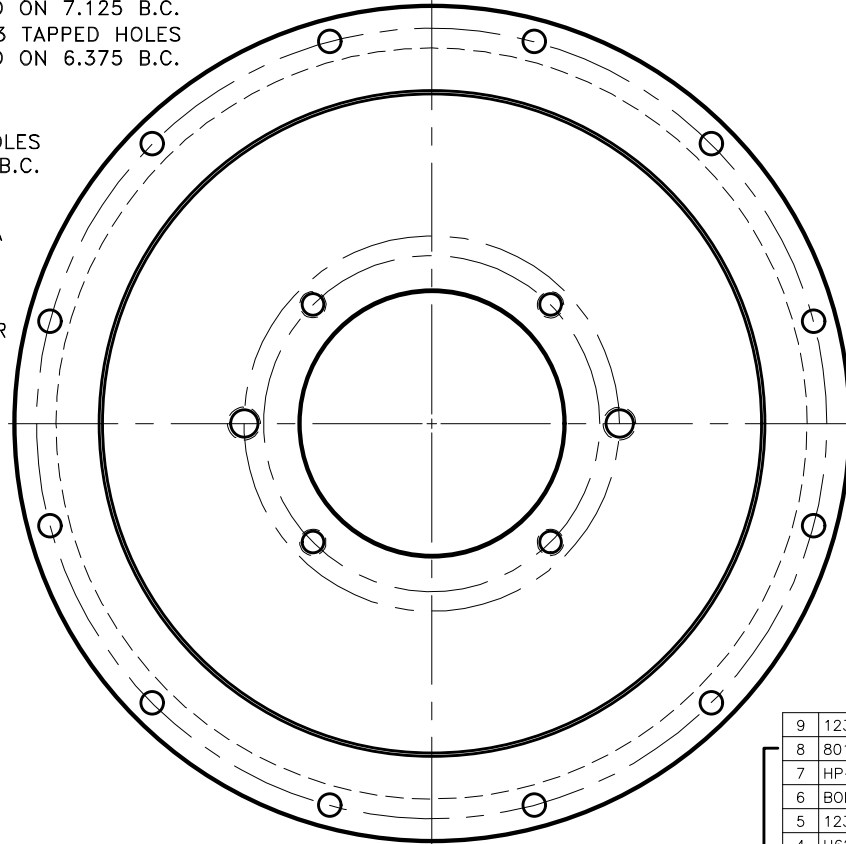
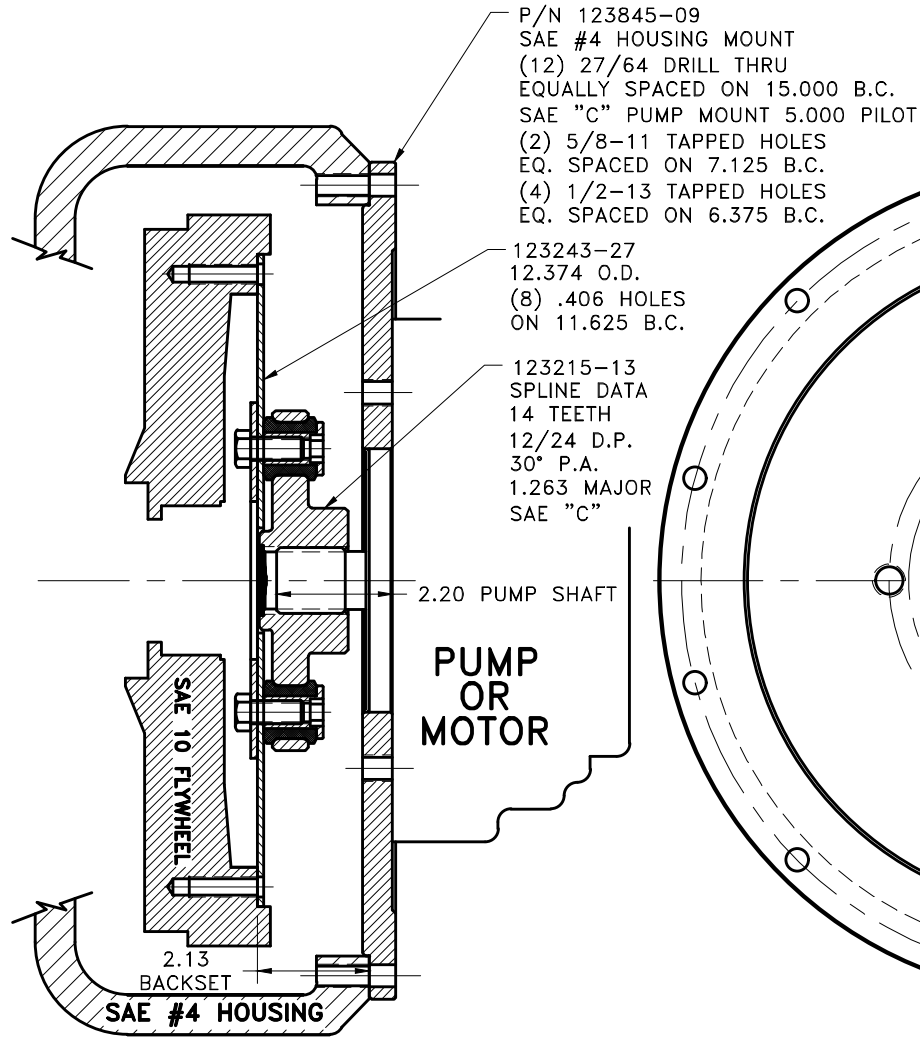


REV	DATE	CHANGE DESCRIPTION	MOD.BY	CK1	CK2
A1	05/30/2008	FIXED THREADED BUSHING P/N	ZS	RJH	HM



UP TO 150 HP

COUPLING ASS'Y
#123065

9	123845-09	PUMP MOUNT PLATE	1
8	801912	GREASE	1
7	HP-1312-S-62	HUBBARD PLUG	1
6	BOLT	7/16-20x1 HHB Y D	8
5	123727	THREADED BUSHING	8
4	H62500	NEOPRENE INSERT	8
3	123215-13	COUPLING HUB	1
2	124657-02	BACKING PLATE	1
1	123243-27	FLYWHEEL PLATE	1

SYMBOLS		DET.	PART NUMBER	DESCRIPTION	QTY.
	FLATNESS	DO NOT SCALE			
	STRAIGHTNESS	DRAWING			
	ANGULARITY	TOLERANCES UNLESS OTHERWISE SPECIFIED			
	PERPENDICULARITY				
	PARALLELISM				
	CONCENTRICITY				
	TRUE POSITION				
	ROUNDNESS	ANGLE ±1/2°			
	CIRCULAR RUN OUT	FRACTION ±1/32			
	TOTAL RUN OUT	DECIMAL			
	CYLINDRICITY	.00 ±.01			
	FINISH	.0000 ±.0005			
				HAYES MANUFACTURING INC. ®	
				TITLE FLYWHEEL COUPLING ASS'Y WITH PUMP MOUNT PLATE	
				MATERIAL	
CLASS	MAKE: <input type="checkbox"/> BUY: <input type="checkbox"/>	DRAWN BY HAVEMAN	DATE 3-23-00	DRAWING NO. 125864	
DESCRIPTION		CHECKED BY	SCALE	SHEET OF REV.	

THIS DRAWING IS THE PROPERTY OF HAYES MFG. INC. AND IS LOANED SUBJECT TO THE CONDITION THAT IT SHALL NOT BE REPRODUCED, COPIED, LOANED OR OTHERWISE DISPOSED OF, DIRECTLY OR INDIRECTLY. IT SHALL BE USED AS A MEANS OF REFERENCE TO WORK FURNISHED BY THIS COMPANY ONLY AND IS NOT TO BE SUBMITTED TO OUTSIDE PARTIES FOR EXAMINATION WITHOUT OUR CONSENT.