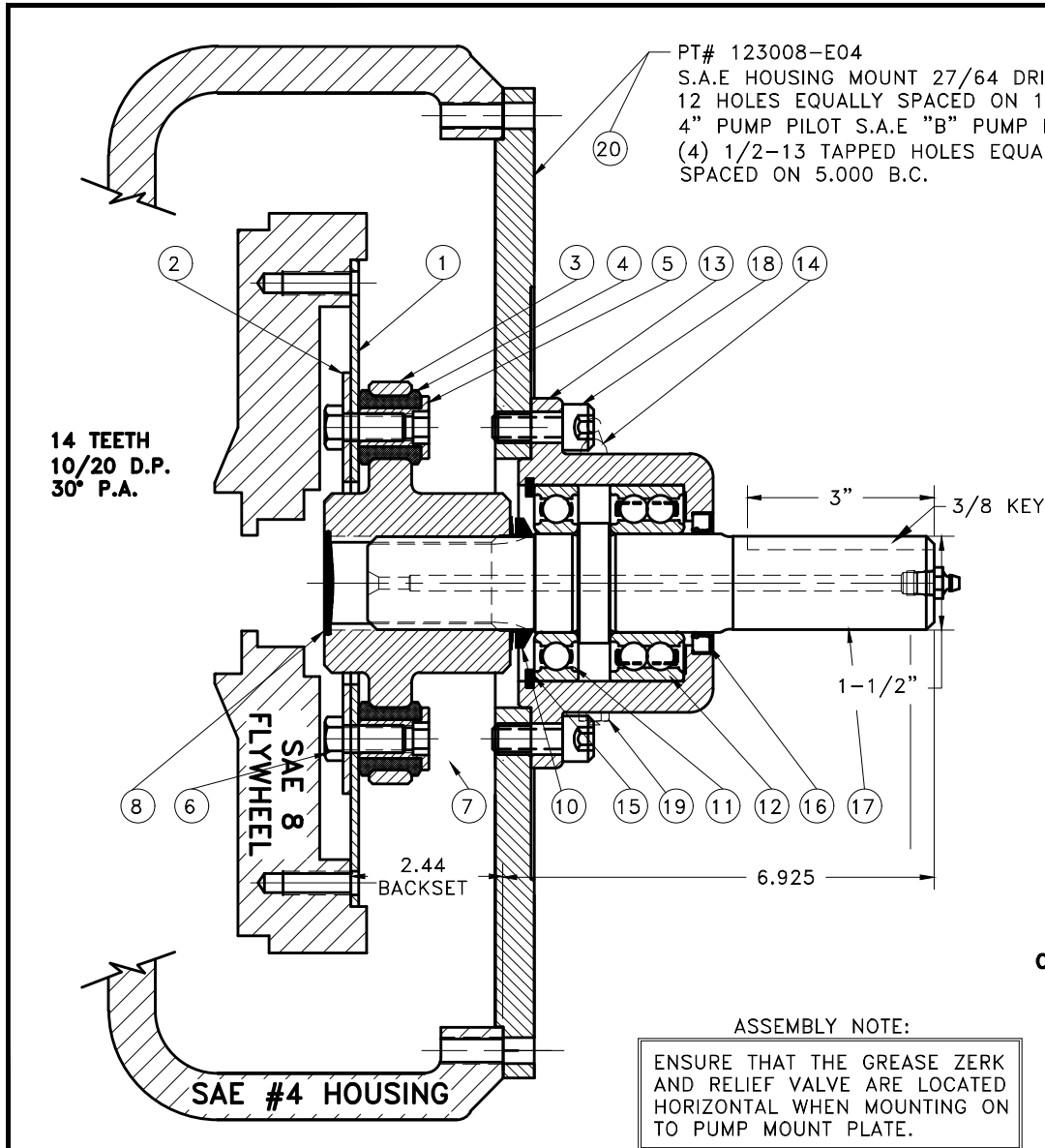


REV	DATE	CHANGE DESCRIPTION	MOD.BY	CK1	CK2
D	05/31/2017	UPDATED SEAL	BSL	JM	HM

NOTES:

1. LIGHTLY GREASE INTERNAL AND EXTERNAL AREA OF SPLINE AT ASSEMBLY USING SUPPLIED COUPLING GREASE (OVER GREASING COULD CAUSE A HYDRAULIC TYPE LIFT ON SEALS).
2. **AT ASSEMBLY GREASE BEARING HOUSING UNTIL PIN EXTENDS FROM PRESSURE RELIEF VALVE (LOCATED 180° FROM GREASE ZERK).** USE OF AN UNLEADED EXTREME PRESSURE LITHIUM GREASE, WITH NLGI NO.2 GRADE IS RECOMMENDED. RUN TIME BETWEEN GREASINGS NOT TO EXCEED 800 HOURS.
3. **WARNING!!!** INJURY OR DEATH FROM A ROTATING STUB SHAFT CAN OCCUR IF A CONDITION EXISTS WHICH WOULD CAUSE THE SHAFT TO BREAK OR COME APART FROM ANY PART OF THE ASSEMBLY. DEPENDING UPON THE APPLICATION (FOR EXAMPLE, FAN, PULLEY, SHEAVE, ETC.), THE AREA AROUND THE STUB SHAFT MUST BE SUFFICIENTLY GUARDED SO THAT IN THE EVENT OF FAILURE, THE GUARD WILL CONTAIN ANY AIRBORNE PARTS.



SUB-ASS'Y #126075

COUPLING ASS'Y #125898

REF: REPLACES 125548

DET.	PART NUMBER	DESCRIPTION	QTY.
19	123008-E04	PUMP MOUNT PLATE	1
18	1093K11	RELIEF VALVE	1
17	BOLT	1/2-13-1-1/8 SHCS D	4
16	126073	SPLINE SHAFT	1
15	132015	SEAL	1
14	RR-314	SNAP RING	1
13	600000	GREASE ZERK	1
12	125007	BEARING HOUSING	1
11	5208WD	DOUBLE BEARING	1
10	208KD	BEARING	1
9	400401	V-RING	1
8	801912	GREASE	1
7	R-0017-02	GREASE PLUG	1
6	BOLT	7/16-20x1 HHB	10
5	123727	THREADED BUSHING	10
4	H62500	NEOPRENE INSERT	10
3	125717	COUPLING HUB	1
2	124657-03	BACKING PLATE	1
1	124243-51	FLYWHEEL PLATE	1

ASSEMBLY NOTE:
ENSURE THAT THE GREASE ZERK AND RELIEF VALVE ARE LOCATED HORIZONTAL WHEN MOUNTING ON TO PUMP MOUNT PLATE.

SYMBOLS		DET.	PART NUMBER	DESCRIPTION	QTY.
——— FLATNESS ——— STRAIGHTNESS ——— ANGULARITY ⊥ PERPENDICULARITY // PARALLELISM ⊙ CONCENTRICITY ⊕ TRUE POSITION ○ ROUNDNESS / CIRCULAR RUN OUT / TOTAL RUN OUT / CYLINDRICITY ✓ FINISH		DO NOT SCALE DRAWING			
		TOLERANCES UNLESS OTHERWISE SPECIFIED			
		1/32" MAXIMUM			
		ANGLE ±1/2°			
		FRACTION ±1/32			
		DECIMAL			
		.00 ±.01			
		.000 ±.005			
		.0000 ±.0005			
CLASS	MAKE: <input type="checkbox"/> BUY: <input type="checkbox"/>	DRAWN BY HAVEMAN		DATE 1-31-01	DRAWING NO. 126207
DESCRIPTION		CHECKED BY RJH	SCALE		SHEET OF REV.



TITLE: BEARING SUPPORTED STUB SHAFT

REF: 5" SHAFT ASS'Y SEE 125733

THIS DRAWING IS THE PROPERTY OF HAYES MFG. INC. AND IS LOANED SUBJECT TO THE CONDITION THAT IT SHALL NOT BE REPRODUCED, COPIED, LOANED OR OTHERWISE DISPOSED OF, DIRECTLY OR INDIRECTLY. IT SHALL BE USED AS A MEANS OF REFERENCE TO WORK FURNISHED BY THIS COMPANY ONLY AND IS NOT TO BE SUBMITTED TO OUTSIDE PARTIES FOR EXAMINATION WITHOUT OUR CONSENT.