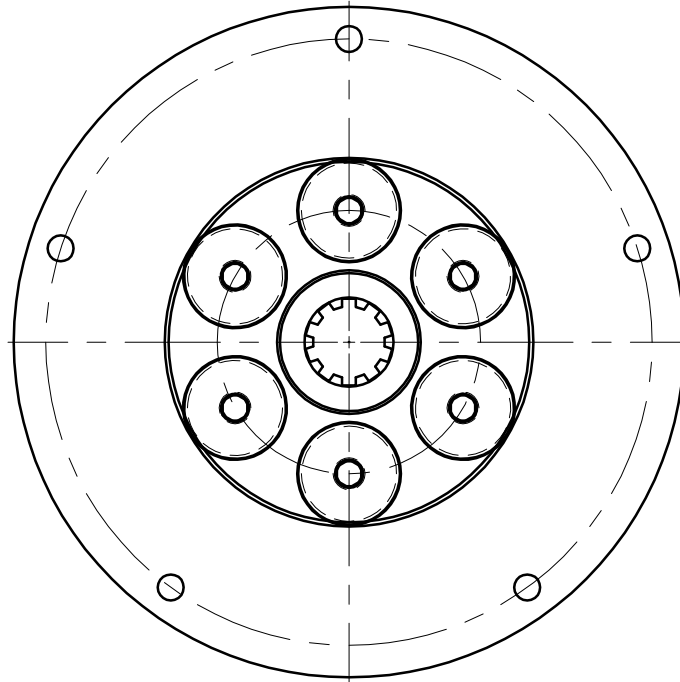
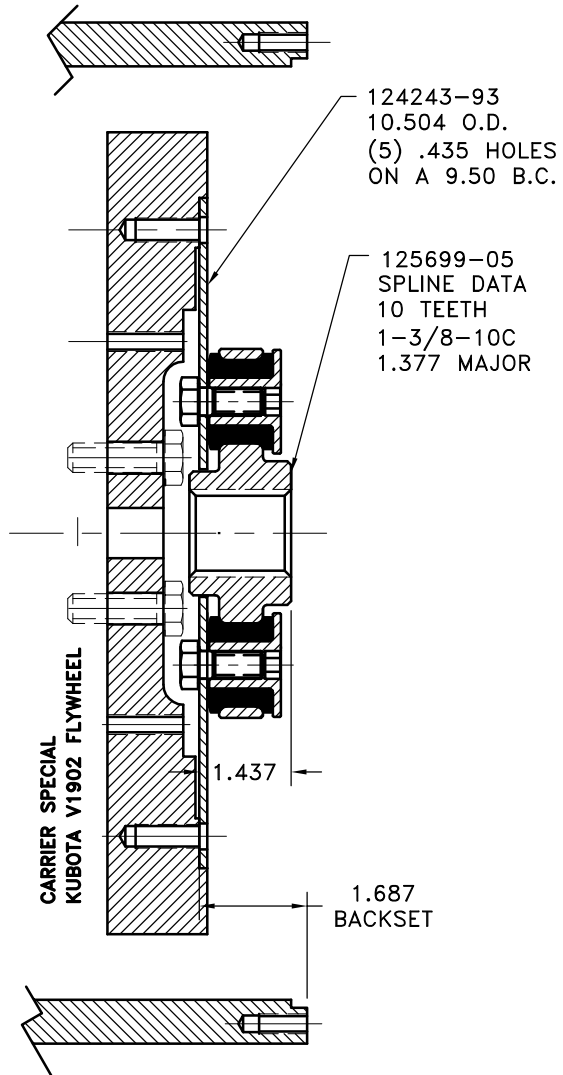


REV	DATE	CHANGE DESCRIPTION	MOD. BY	CK1	CK2
A1	05/27/2003	UPDATED HUB DISIGN.	ZS	RJH	HM



UP TO 110 HP.

QTY.	PART NUMBER	DESCRIPTION
1	801912	GREASE
6	HX200	7/16-20 x 1" HHB
6	124412	THREADED BUSHING
6	H92500	NEOPRENE INSERT
1	125699-05	COUPLING HUB
1	124243-93	FLYWHEEL PLATE

SYMBOLS	DET.	PART NUMBER	DESCRIPTION	QTY.
<ul style="list-style-type: none"> <li>▨ FLATNESS</li> <li>— STRAIGHTNESS</li> <li>∠ ANGULARITY</li> <li>⊥ SQUARENESS</li> <li>∥ PARALLELISM</li> <li>⊙ CONCENTRICITY</li> <li>⊕ TRUE POSITION</li> <li>⊘ ROUNDNESS</li> <li>⊙ CIRCULAR RUN OUT</li> <li>⊙ TOTAL RUN OUT</li> <li>⊙ CYLINDRICITY</li> <li>√ FINISH</li> </ul>	DO NOT SCALE DRAWING TOLERANCES UNLESS OTHERWISE SPECIFIED 1/32" MAXIMUM ANGLE ±1/2° FRACTION ±1/32 DECIMAL .00 ±.01 .000 ±.005 .0000 ±.0005			
			TITLE FLYWHEEL COUPLING ASS'Y	
			MATERIAL	
			- UNLESS OTHERWISE SPECIFIED - REMOVE FIRST THREAD ON ALL TAPPED HOLES BREAK ALL SHARP CORNERS .010 TO .020 STAMP OR MARK DRAWING NO.	
			DRAWN BY SIETING CHECKED BY RJH	DATE 7-23-02 SCALE
			DRAWING NO. 126846 SHEET OF REV.	

THIS DRAWING IS THE PROPERTY OF HAYES MFG. INC. AND IS LOANED SUBJECT TO THE CONDITION THAT IT SHALL NOT BE REPRODUCED, COPIED, LOANED OR OTHERWISE DISPOSED OF, DIRECTLY OR INDIRECTLY. IT SHALL BE USED AS A MEANS OF REFERENCE TO WORK FURNISHED BY THIS COMPANY ONLY AND IS NOT TO BE SUBMITTED TO OUTSIDE PARTIES FOR EXAMINATION WITHOUT OUR CONSENT.