

REV	DATE	CHANGE DESCRIPTION	MOD. BY	CK1	CK2

123008-EN2
SAE #4 HOUSING MOUNT
(12) 27/64 HOLES THRU
EQ. SPACED ON 15.00 B.C.
SAE "A" PUMP MOUNT
3.25 PUMP PILOT
(2) 3/8-16 TAPPED HOLES
EQ. SPACED ON 4.18 B.C.

123243-18
12.374 O.D.
(8) .406 HOLES
ON 11.625 B.C.

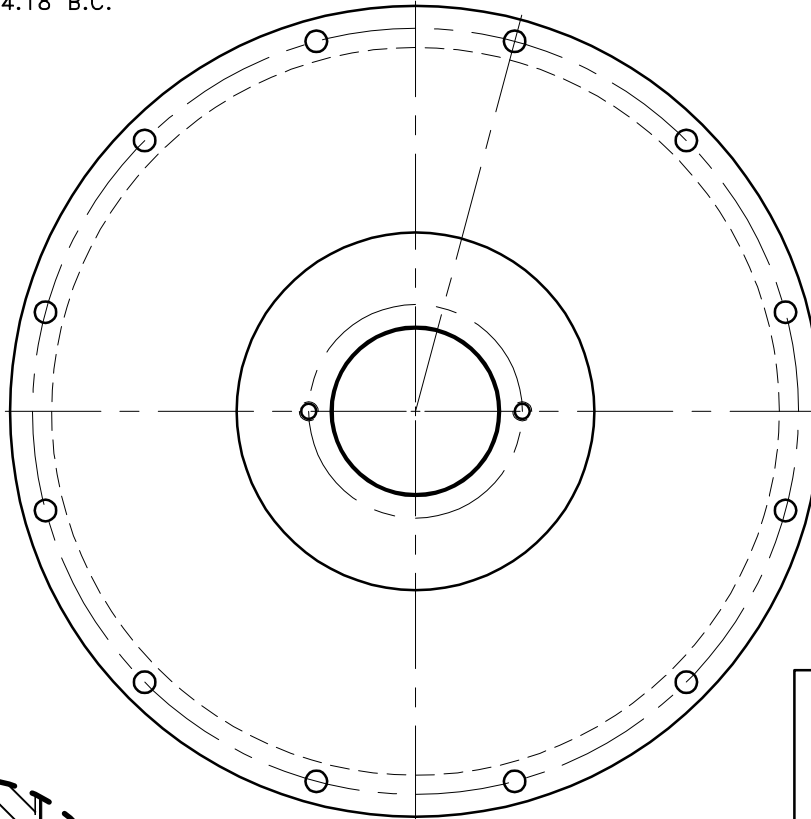
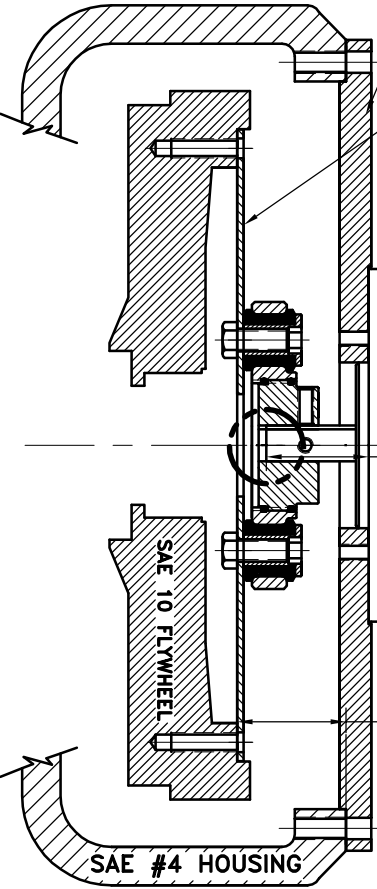
PUMP
OR
MOTOR

2.000 SHAFT LENGTH
5/8" SHAFT
5/32" KEY

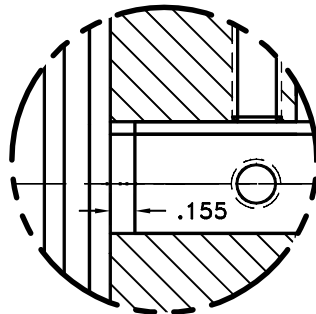
2.125
BACKSET

SAE #4 HOUSING

NOTE: REMOVE HUB FROM
ASS'Y, PRESET HUB ON
SHAFT & RE- ASSEMBLE
USING NUT & BOLT
GRADE LOC-TITE ON SET
SCREWS



COUPLING ASS'Y # 126914



2.000 SHAFT LENGTH

UP TO 110 HP

QTY.	PART NUMBER	DESCRIPTION
12	123008-EN2	PUMP MOUNT PLATE
11	801912	GREASE
10	PURCHASE	5/16-18 x 3/4" SSSCP
9	PURCHASE	5/16-18 x 5/8" SSSCP
8	568-143	O-RING (124473)
7	568-142	O-RING (124284-39)
6	HX200	7/16-20 x 1" HHB
5	123727	THREADED BUSHING
4	H62500	NEOPRENE INSERT
3	124284-39	EXTERNAL SPLINED HUB
2	124473	INTERNAL SPLINED HUB
1	123243-18	FLYWHEEL PLATE

SYMBOLS	DET.	PART NUMBER	DESCRIPTION	QTY.
FLATNESS STRAIGHTNESS ANGULARITY SQUARENESS PARALLELISM CONCENTRICITY TRUE POSITION ROUNDNESS CIRCULAR RUN OUT TOTAL RUN OUT CYLINDRICITY FINISH	DO NOT SCALE DRAWING TOLERANCES UNLESS OTHERWISE SPECIFIED MAXIMUM ANGLE ±1/2° FRACTION ±1/32 DECIMAL .00 ±.01 .000 ±.005 .0000 ±.0005			
			TITLE FLYWHEEL COUPLING ASSY WITH PUMP MOUNT PLATE	
			MATERIAL	
			DRAWN BY SIETING	DATE 09-10-02
			CHECKED BY RJH	DRAWING NO. 126913 SHEET OF REV.

THIS DRAWING IS THE PROPERTY OF HAYES MFG. INC. AND IS LOANED
SUBJECT TO THE CONDITION THAT IT SHALL NOT BE REPRODUCED,
COPIED, LOANED OR OTHERWISE DISPOSED OF, DIRECTLY OR INDIRECTLY.
IT SHALL BE USED AS A MEANS OF REFERENCE TO WORK FURNISHED BY
THIS COMPANY ONLY AND IS NOT TO BE SUBMITTED TO OUTSIDE PARTIES
FOR EXAMINATION WITHOUT OUR CONSENT.