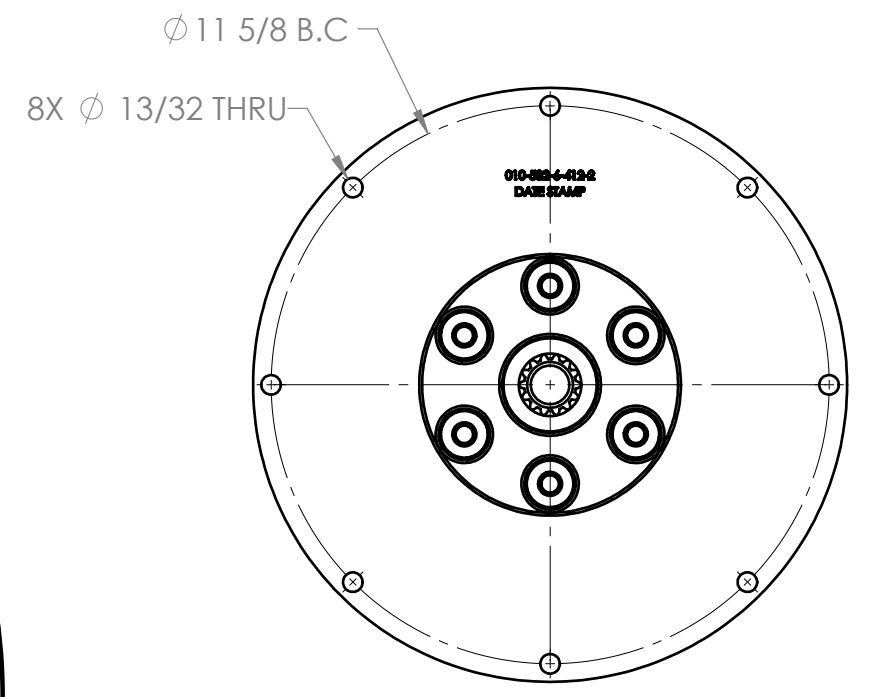
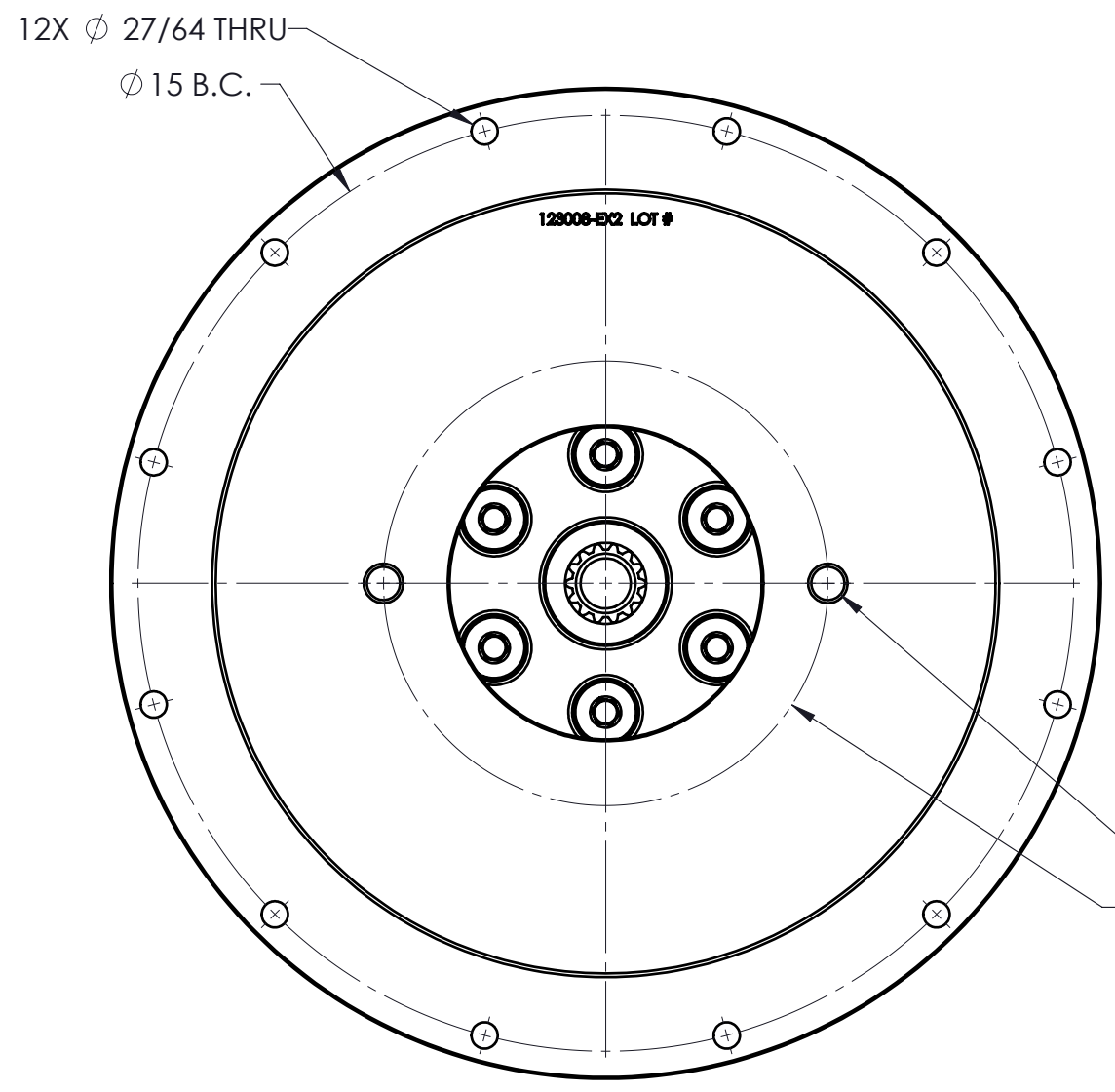
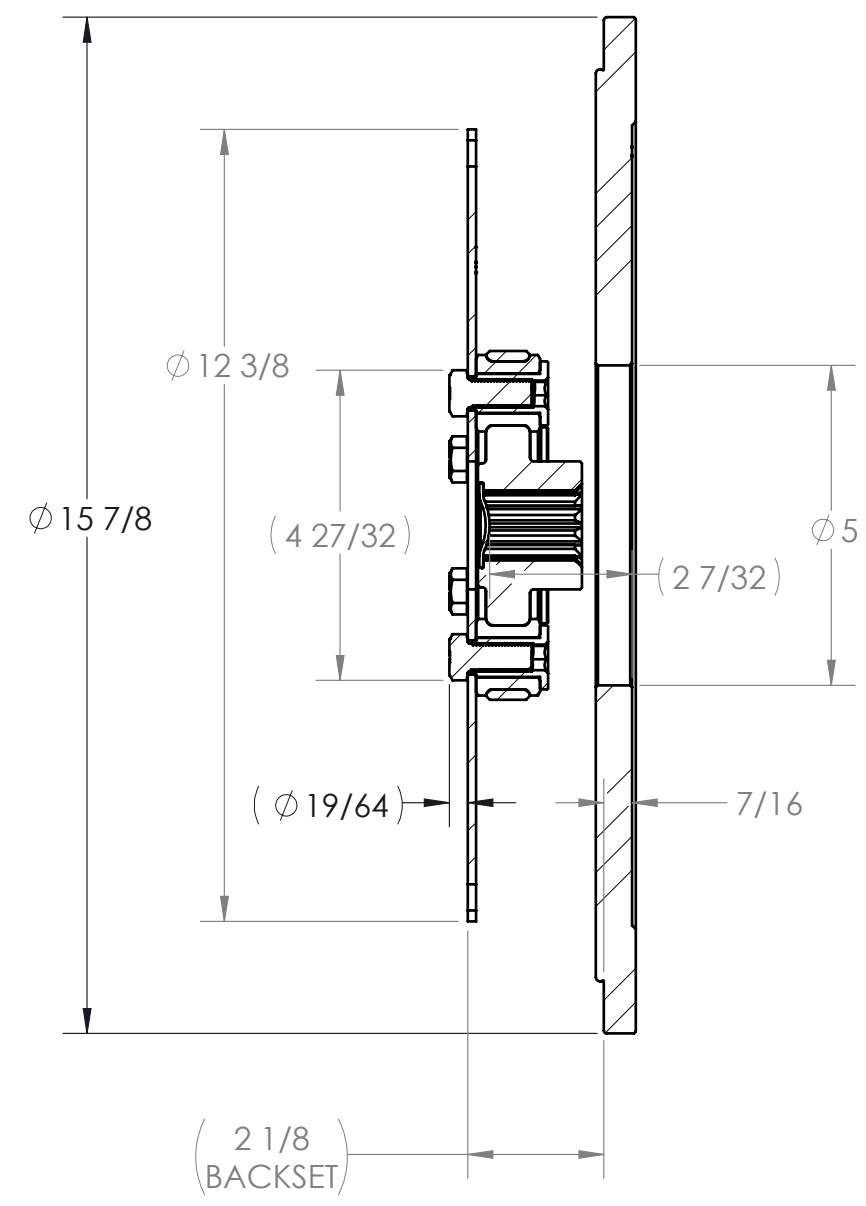


CUSTOMER DRAWING

REVISIONS					
ZONE	REV.	DESCRIPTION	DATE	APR 1	APR 2
3-B2, 4-B2	B	CHANGED TO PILOTED BUSHINGS	9/19/2022	ZS	



PUMP DRIVE SPECS	
FLYWHEEL	SAE 10
HOUSING	SAE 4
PUMP FLANGE	SAE C 2-BOLT
PUMP SHAFT	14T 12/24 "C"
HP RATING (@1800 RPM)	110

PROPRIETARY AND CONFIDENTIAL
 THE INFORMATION CONTAINED IN THIS DRAWING IS THE SOLE PROPERTY OF HAYES MANUFACTURING. ANY REPRODUCTION IN PART OR AS A WHOLE WITHOUT THE WRITTEN PERMISSION OF HAYES MANUFACTURING IS PROHIBITED.

UNLESS OTHERWISE SPECIFIED: DIMENSIONS ARE IN INCHES TOLERANCES: FRACTIONAL $\pm 1/32$ ANGULAR: MACH $\pm 1/2^\circ$ TWO DECIMAL $\pm .01$ THREE DECIMAL $\pm .005$ FOUR DECIMAL $\pm .0005$			SYMBOLS ▭ FLATNESS ⊙ CONCENTRICITY ▭ COUNTERBORE ○ ROUNDNESS ⊕ TRUE POSITION ▽ COUNTERSINK // PARALLELISM ⊥ PERPENDICULARITY = SYMMETRIC ∅ DIAMETER ↗ CIRCULAR RUN OUT "R" RADIUS ↗ TOTAL RUN OUT		
CLASS	SAE 10	NAME	DATE	DRAWN	
DESCRIPTION	10,4,14T12/24,C2,110	SIETING	9/13/2021	PCM APPR.	
MAKE	X	WEIGHT		ENG APPR.	
BUY		VOLUME		SHIP. APPR.	
		CU.IN.		QA APPR.	
				MATERIAL	
				HEAT TREAT	
				FINISH	

ITEM NO.	PART NUMBER	DESCRIPTION	QTY.
1	123822	FLYWHEEL COUPLING ASSEMBLY	1
2	123008-EX2	PUMP MOUNT PLATE	1

TITLE: PUMP DRIVE KIT

DWG. NO. 127954 REV B

DO NOT SCALE SHEET 1 OF 4