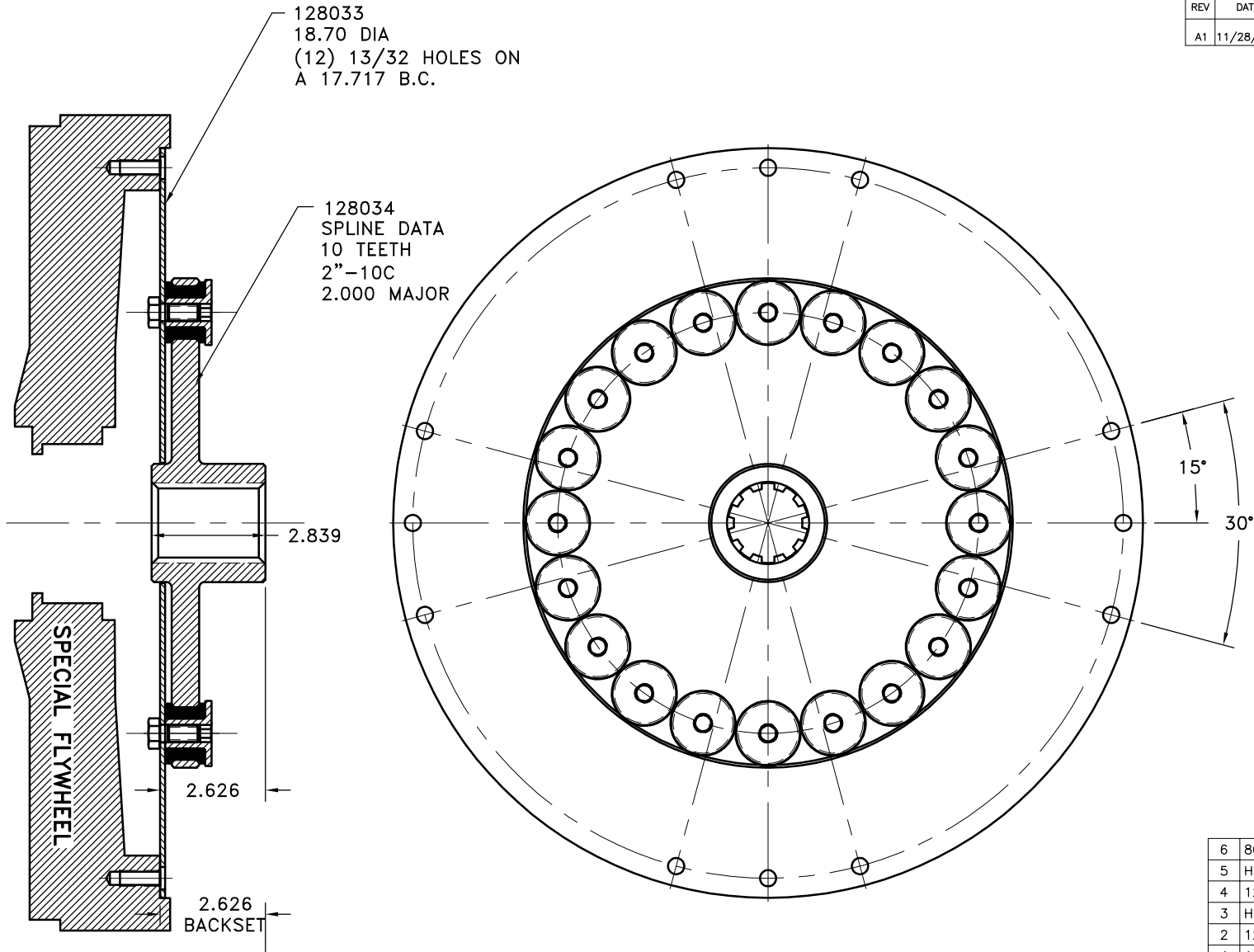


REV	DATE	CHANGE DESCRIPTION	MOD.BY	CK1	CK2
A1	11/28/2005	FIXED # OF GREASE PACKES.	ZS	RJH	HM



UP TO ???? HP

REV	PART NUMBER	DESCRIPTION	QTY.
6	801912	GREASE	2
5	HX200	7/16-20 x 1" HHB	20
4	124412	THREADED BUSHING	20
3	H92500	NEOPRENE INSERT	20
2	128034	COUPLING HUB	1
1	128033	FLYWHEEL PLATE	1

SYMBOLS		DET.	PART NUMBER	DESCRIPTION	QTY.
	FLATNESS	DO NOT SCALE			
	STRAIGHTNESS	DRAWING			
	ANGULARITY	TOLERANCES UNLESS OTHERWISE SPECIFIED			
	SQUARENESS	1/32" MAXIMUM			
	PARALLELISM	ANGLE ±1/2°			
	CONCENTRICITY	FRACTION ±1/32			
	TRUE POSITION	DECIMAL			
	ROUNDNESS	.00 ±.01			
	CIRCULAR RUN OUT	.000 ±.005			
	TOTAL RUN OUT	.0000 ±.0005			
	CYLINDRICITY				
	FINISH				

HAYES
MANUFACTURING INC. ®

TITLE FLYWHEEL COUPLING ASS'Y	
DRAWN BY SIETING	DATE 10-04-05
CHECKED BY RJH	SCALE
DRAWING NO. 128016	
SHEET OF REV.	

THIS DRAWING IS THE PROPERTY OF HAYES MFG. INC. AND IS LOANED SUBJECT TO THE CONDITION THAT IT SHALL NOT BE REPRODUCED, COPIED, LOANED OR OTHERWISE DISPOSED OF, DIRECTLY OR INDIRECTLY. IT SHALL BE USED AS A MEANS OF REFERENCE TO WORK FURNISHED BY THIS COMPANY ONLY AND IS NOT TO BE SUBMITTED TO OUTSIDE PARTIES FOR EXAMINATION WITHOUT OUR CONSENT.