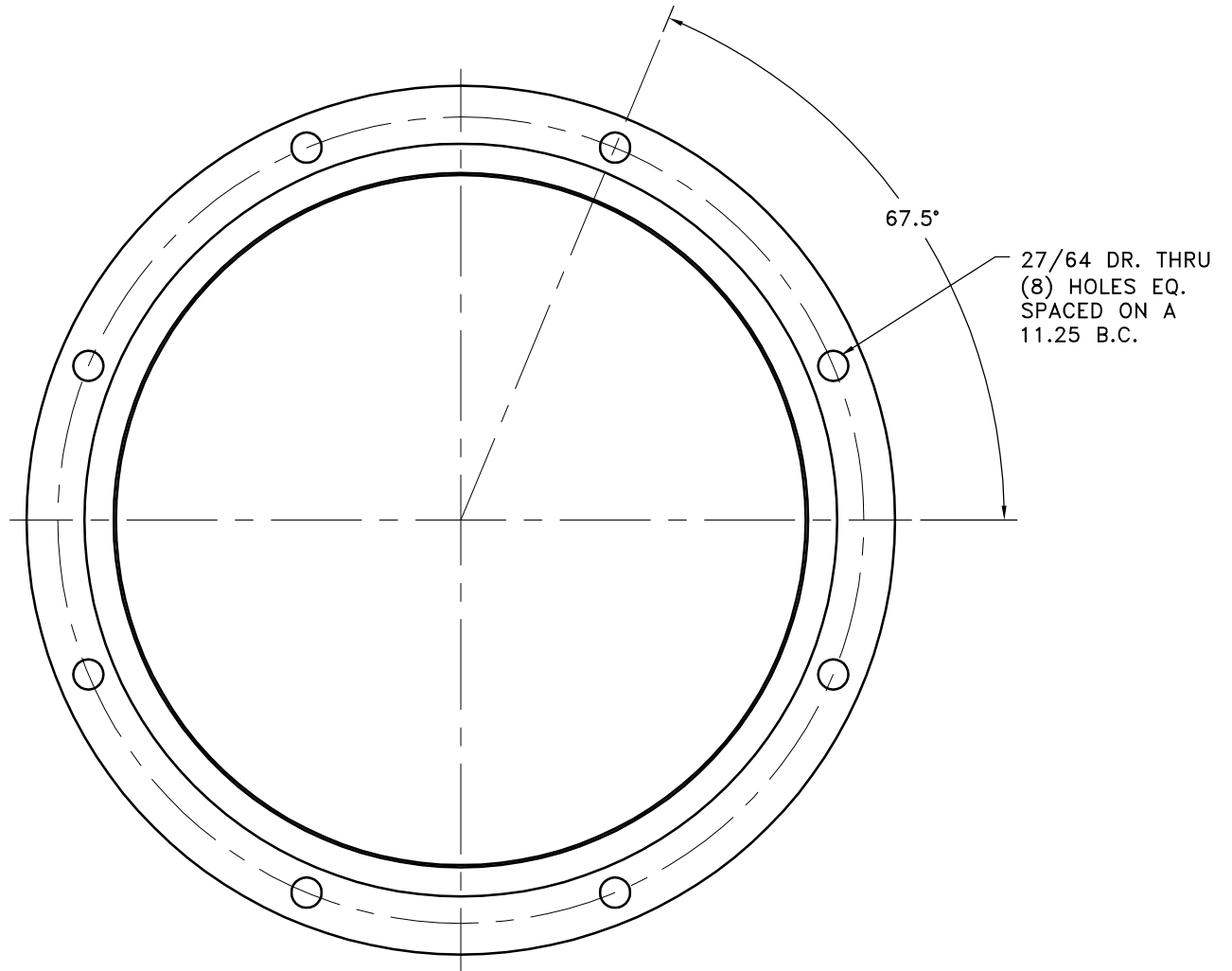
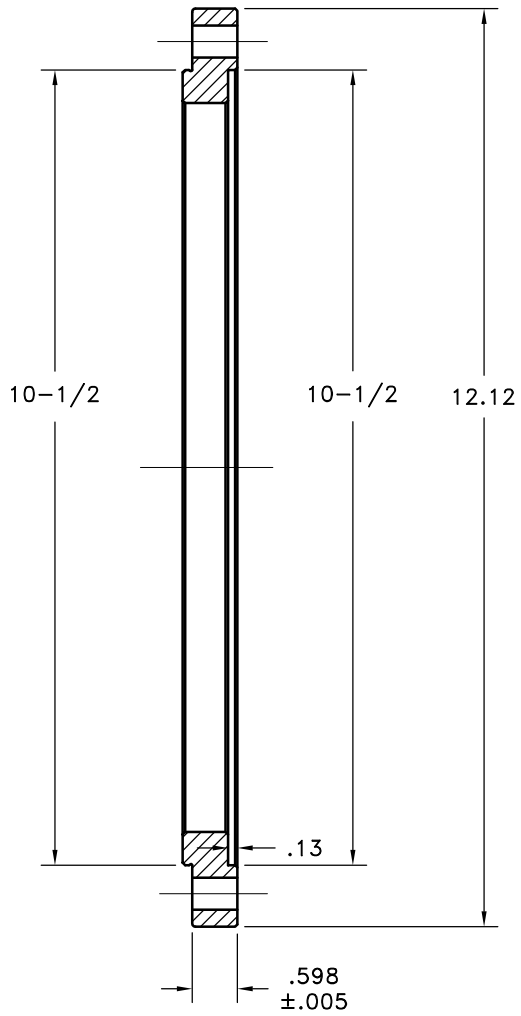


REV	DATE	CHANGE DESCRIPTION	MOD. BY	CK1	CK2



THIS DRAWING IS THE PROPERTY OF HAYES MFG. INC. AND IS LOANED SUBJECT TO THE CONDITION THAT IT SHALL NOT BE REPRODUCED, COPIED, LOANED OR OTHERWISE DISPOSED OF, DIRECTLY OR INDIRECTLY. IT SHALL BE USED AS A MEANS OF REFERENCE TO WORK FURNISHED BY THIS COMPANY ONLY AND IS NOT TO BE SUBMITTED TO OUTSIDE PARTIES FOR EXAMINATION WITHOUT OUR CONSENT.

SYMBOLS	DET.	PART NUMBER	DESCRIPTION	QTY.
<ul style="list-style-type: none"> <li>▭ FLATNESS</li> <li>— STRAIGHTNESS</li> <li>∠ ANGULARITY</li> <li>⊥ SQUARENESS</li> <li>∥ PARALLELISM</li> <li>⊙ CONCENTRICITY</li> <li>⊕ TRUE POSITION</li> <li>○ ROUNDNESS</li> <li>⊘ CIRCULAR RUN OUT</li> <li>⊖ TOTAL RUN OUT</li> <li>⊘ CYLINDRICITY</li> <li>√ FINISH</li> </ul>	DO NOT SCALE DRAWING TOLERANCES UNLESS OTHERWISE SPECIFIED 125 MAXIMUM ANGLE ±1/2° FRACTION ±1/32 DECIMAL .00 ±.01 .000 ±.005 .0000 ±.0005			
			TITLE SAE 6 TO SAE 6 SPACER	
			MATERIAL 128374-C	
			DRAWN BY SIETING CHECKED BY RJH	DATE 09-14-06 SCALE
			DRAWING NO. 128374 SHEET OF REV.	
			- UNLESS OTHERWISE SPECIFIED - REMOVE FIRST THREAD ON ALL TAPPED HOLES BREAK ALL SHARP CORNERS .010 TO .020 STAMP OR MARK DRAWING NO.	