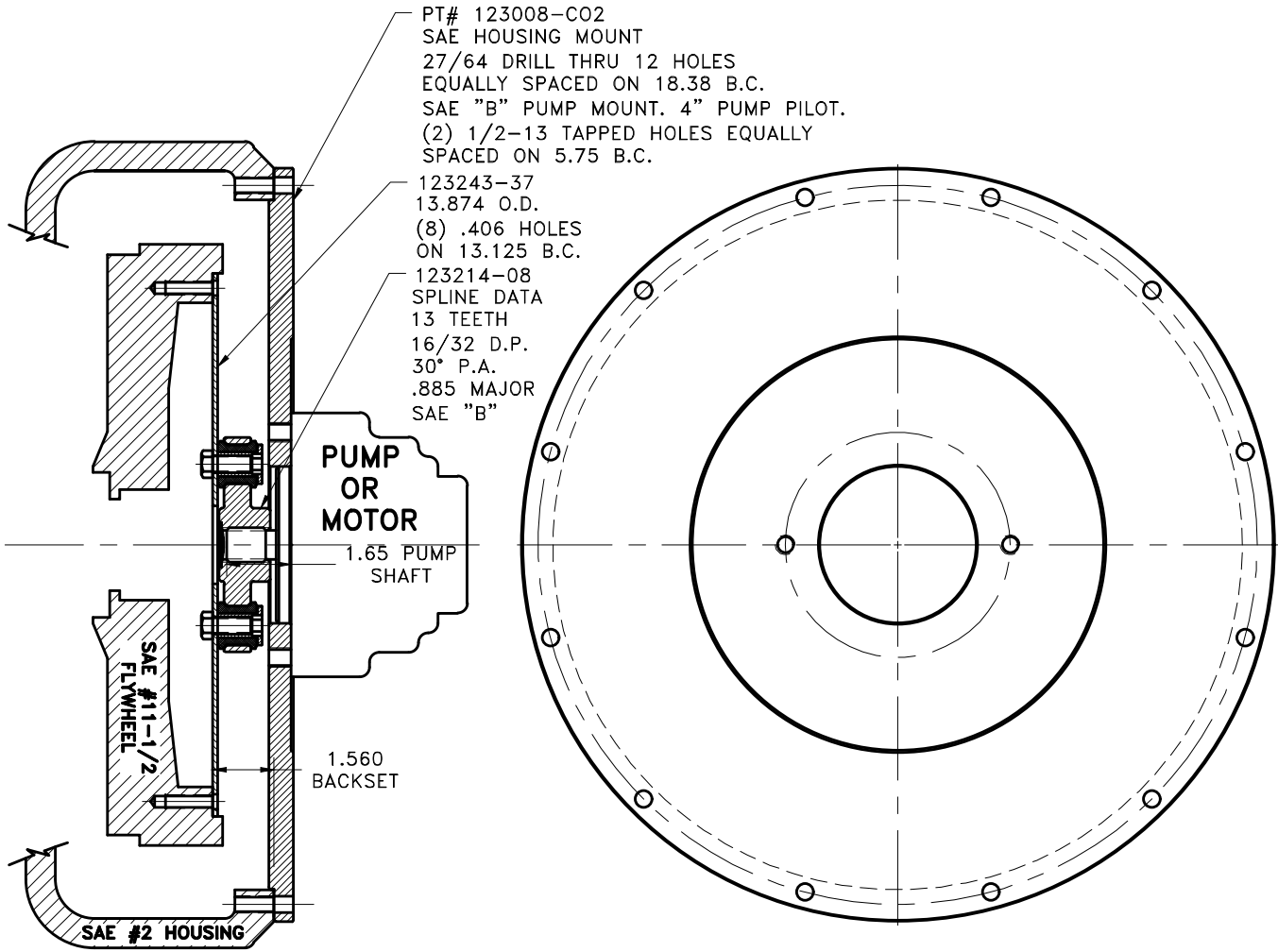


REV	DATE	CHANGE DESCRIPTION	MOD.BY	CK1	CK2



PT# 123008-C02
 SAE HOUSING MOUNT
 27/64 DRILL THRU 12 HOLES
 EQUALLY SPACED ON 18.38 B.C.
 SAE "B" PUMP MOUNT. 4" PUMP PILOT.
 (2) 1/2-13 TAPPED HOLES EQUALLY
 SPACED ON 5.75 B.C.

123243-37
 13.874 O.D.
 (8) .406 HOLES
 ON 13.125 B.C.

123214-08
 SPLINE DATA
 13 TEETH
 16/32 D.P.
 30° P.A.
 .885 MAJOR
 SAE "B"

PUMP
 OR
 MOTOR

1.65 PUMP
 SHAFT

SAE #11-1/2
 FLYWHEEL

1.560
 BACKSET

SAE #2 HOUSING

COUPLING ASS'Y #125505

UP TO 110 HP

DET.	PART NUMBER	DESCRIPTION	QTY.
8	123008-C02	PUMP MOUNT PLATE	1
7	801912	GREASE	1
6	HP-1125-S-32	GREASE PLUG	1
5	BOLT	7/16-20 x 1 HHB Y D	6
4	123727	THREADED BUSHING	6
3	H62500	NEOPRENE INSERT	6
2	123214-08	COUPLING HUB	1
1	123243-37	FLYWHEEL PLATE	1

SYMBOLS		DET.	PART NUMBER	DESCRIPTION	QTY.
—	FLATNESS	DO NOT SCALE			
—	STRAIGHTNESS	DRAWING			
—	ANGULARITY	TOLERANCES UNLESS OTHERWISE SPECIFIED			
—	PERPENDICULARITY	1/32			
—	PARALLELISM	MAXIMUM			
—	TRUE POSITION	ANGLE ±1/2°			
—	ROUNDNESS	FRACTION ±1/32			
—	CIRCULAR RUN OUT	DECIMAL			
—	TOTAL RUN OUT	.00 ±.01			
—	CYLINDRICITY	.000 ±.005			
—	FINISH	.0000 ±.0005			

TITLE: FLYWHEEL COUPLING ASS'Y WITH PUMP MOUNT PLATE

MATERIAL:

CLASS	MAKE: <input type="checkbox"/> BUY: <input type="checkbox"/>	DRAWN BY	DATE	DRAWING NO.
DESCRIPTION		SIETING	09-27-06	128379
		CHECKED BY	SCALE	SHEET OF REV.
		RJH		128379

THIS DRAWING IS THE PROPERTY OF HAYES MFG. INC. AND IS LOANED SUBJECT TO THE CONDITION THAT IT SHALL NOT BE REPRODUCED, COPIED, LOANED OR OTHERWISE DISPOSED OF, DIRECTLY OR INDIRECTLY. IT SHALL BE USED AS A MEANS OF REFERENCE TO WORK FURNISHED BY THIS COMPANY ONLY AND IS NOT TO BE SUBMITTED TO OUTSIDE PARTIES FOR EXAMINATION WITHOUT OUR CONSENT.