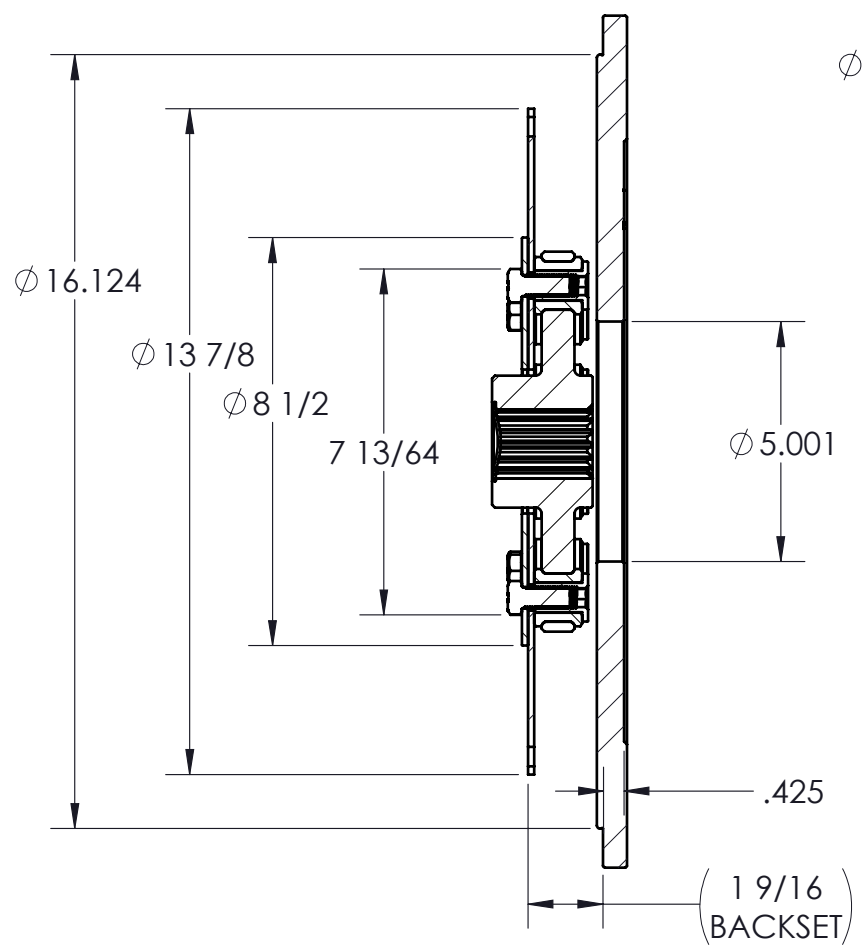
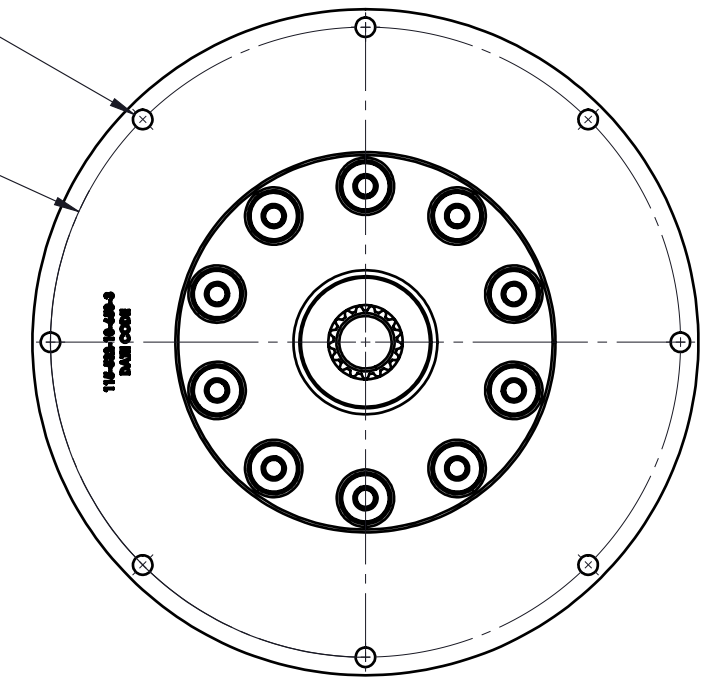
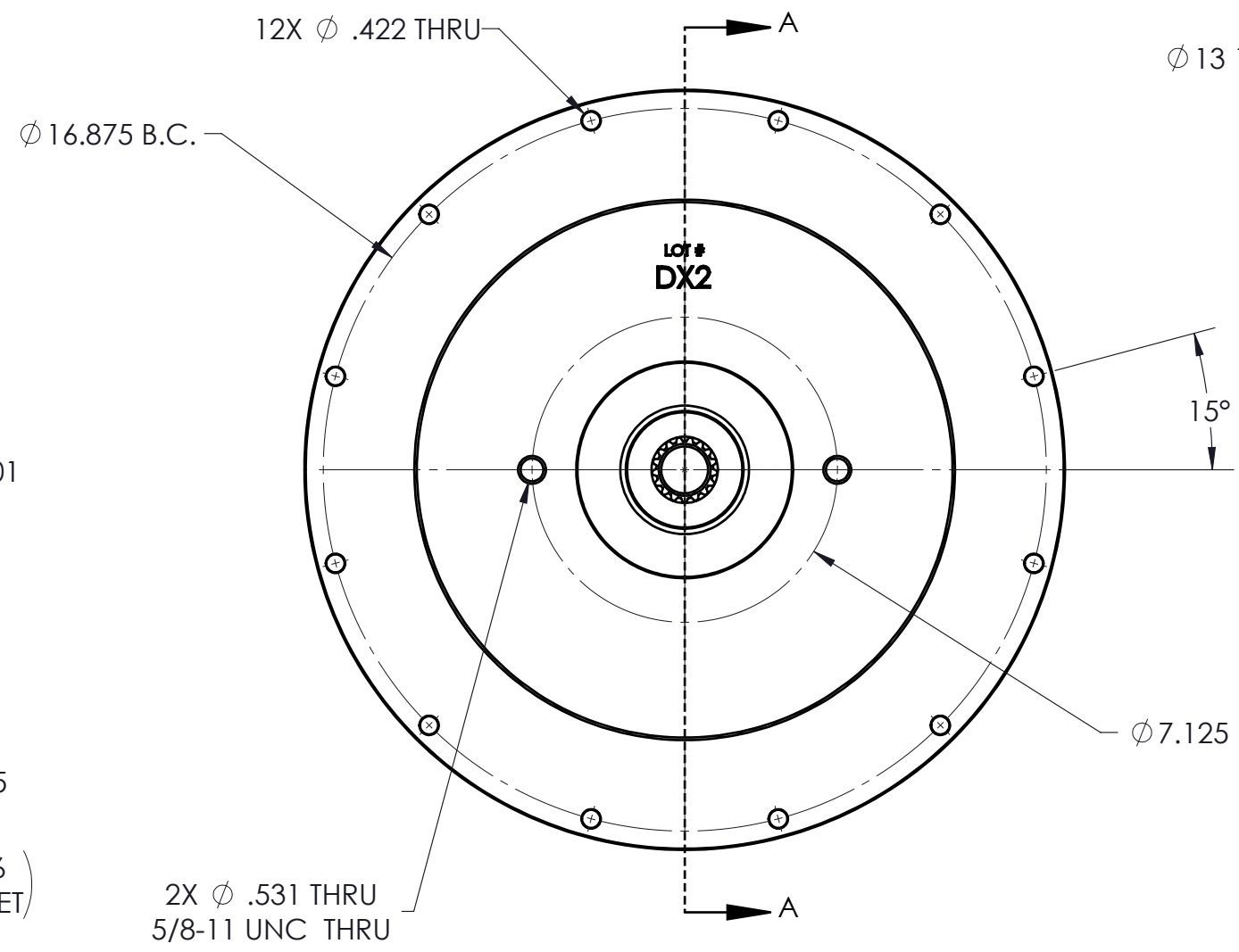


CUSTOMER DRAWING

REVISIONS					
ZONE	REV.	DESCRIPTION	DATE	APR 1	APR 2
	B	CHANGED TO PILOTED BUSHINGS; RELEASED IN SW	8/11/2022	RH	



SECTION A-A



COUPLING FRONT VIEW

COUPLING IS NOT SERVICABLE

PUMP DRIVE SPECS	
FLYWHEEL	SAE 11.5
HOUSING	SAE 3
PUMP FLANGE	SAE C 2-BOLT
PUMP SHAFT	17T 12/24 "CC"
HP RATING (@1800 RPM)	250

PROPRIETARY AND CONFIDENTIAL
THE INFORMATION CONTAINED IN THIS DRAWING IS THE SOLE PROPERTY OF HAYES MANUFACTURING. ANY REPRODUCTION IN PART OR AS A WHOLE WITHOUT THE WRITTEN PERMISSION OF HAYES MANUFACTURING IS PROHIBITED.

UNLESS OTHERWISE SPECIFIED:		SYMBOLS	
DIMENSIONS ARE IN INCHES		∕ FLATNESS	◎ CONCENTRICITY
TOLERANCES:		○ ROUNDNESS	⊕ TRUE POSITION
FRACTIONAL ± 1/32		∕∕ PARALLELISM	∇ COUNTERSINK
ANGULAR: MACH ± 1/2°		⊥ PERPENDICULARITY	▽ HOLE DEPTH
TWO DECIMAL ± 0.01		∕∕ CIRCULAR RUN OUT	≡ SYMMETRIC
THREE DECIMAL ± 0.005		"R" RADIUS	∕∕ TOTAL RUN OUT
FOUR DECIMAL ± 0.0005			
CLASS	SAE 11.5	NAME	DATE
DESCRIPTION	11-1/2,3,17T12/24,C2,250	DRAWN	VHA 4/28/2022
MAKE	X	PCM APPR.	
WEIGHT	54.4 LB	ENG APPR.	
BUY		SHIP. APPR.	
VOLUME		QA APPR.	
CU.IN.		MATERIAL	

ITEM NO.	PART NUMBER	DESCRIPTION	QTY.
1	127698	FLYWHEEL COUPLING	1
2	123008-DX2	PUMP MOUNT PLATE, SAE C, C2	1

HAYES

TITLE: PUMP DRIVE KIT

DWG. NO. 128550

REV B

DO NOT SCALE SHEET 1 OF 4