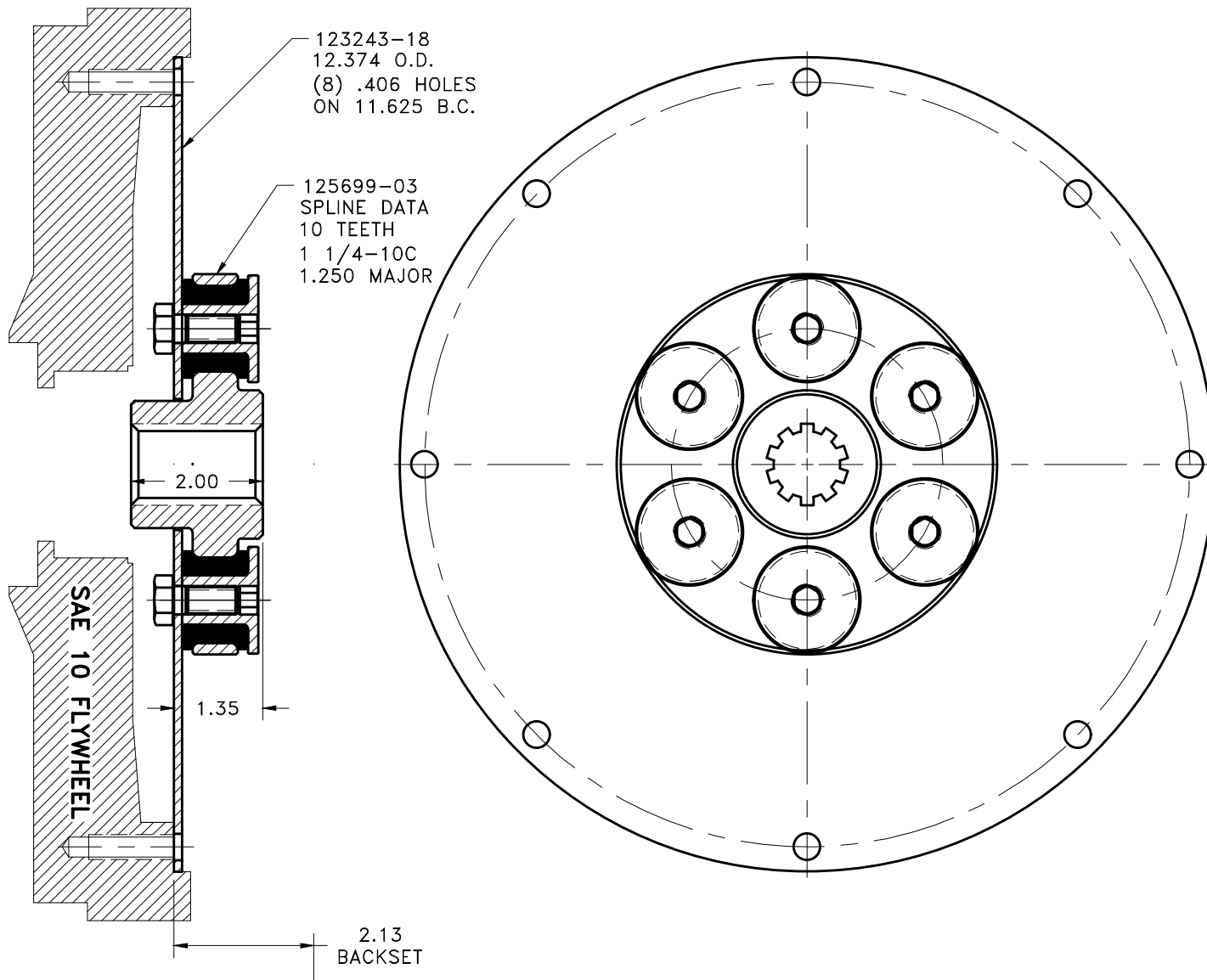


REV	DATE	CHANGE DESCRIPTION	MOD. BY	CK1	CK2



UP TO 110 HP.

DET.	PART NUMBER	DESCRIPTION	QTY.
6	801912	GREASE	1
5	HX200	7/16-20 x 1" HHB	6
4	124412	THREADED BUSHING	6
3	H92500	NEOPRENE INSERT	6
2	125699-03	COUPLING HUB	1
1	123243-18	FLYWHEEL PLATE	1

SYMBOLS		DET.	PART NUMBER	DESCRIPTION	QTY.
	FLATNESS	DO NOT SCALE			
	STRAIGHTNESS	DRAWING			
	ANGULARITY	TOLERANCES UNLESS OTHERWISE SPECIFIED			
	PERPENDICULARITY				
	PARALLELISM				
	CONCENTRICITY				
	TRUE POSITION				
	ROUNDNESS				
	CIRCULAR RUN OUT				
	TOTAL RUN OUT				
	CYLINDRICITY				
	FINISH				
CLASS		MAKE: <input type="checkbox"/>	BUY: <input type="checkbox"/>	DRAWN BY: SIETING	DATE: 07-05-2012
DESCRIPTION				CHECKED BY: RJH	SCALE:
				TITLE: FLYWHEEL COUPLING ASSEMBLY MATERIAL:	
				DRAWING NO. 130738	
				SHEET OF REV.	

THIS DRAWING IS THE PROPERTY OF HAYES MFG. INC. AND IS LOANED SUBJECT TO THE CONDITION THAT IT SHALL NOT BE REPRODUCED, COPIED, LOANED OR OTHERWISE DISPOSED OF, DIRECTLY OR INDIRECTLY. IT SHALL BE USED AS A MEANS OF REFERENCE TO WORK FURNISHED BY THIS COMPANY ONLY AND IS NOT TO BE SUBMITTED TO OUTSIDE PARTIES FOR EXAMINATION WITHOUT OUR CONSENT.