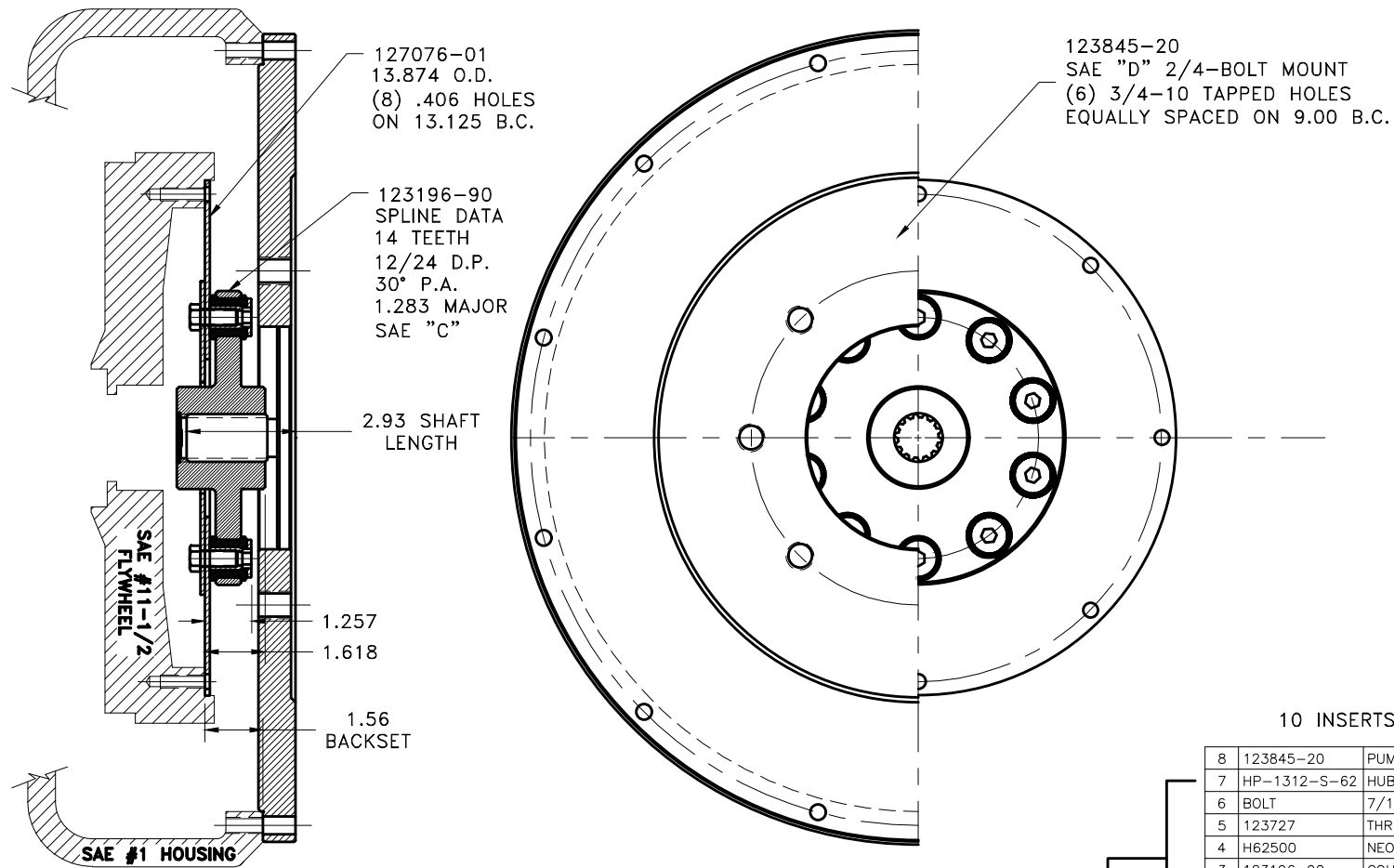


REV	DATE	CHANGE DESCRIPTION	MOD.BY	CK1	CK2



COUPLING ASS'Y
#131125

DET.	PART NUMBER	DESCRIPTION	QTY.
8	123845-20	PUMP MOUNT PLATE [A 2+4B]	1
7	HP-1312-S-62	HUBBARD PLUG	1
6	BOLT	7/16-20x1 HHB Y D	10
5	123727	THREADED BUSHING [H62,THD]	10
4	H62500	NEOPRENE INSERTS	10
3	123196-90	COUPLING HUB [14T12/24]	1
2	124961-01	BACKING PLATE	1
1	127076-01	FLYWHEEL PLATE	1

SYMBOLS		DET.	PART NUMBER	DESCRIPTION	QTY.
—	FLATNESS	DO NOT SCALE			
—	STRAIGHTNESS	DRAWING			
—	ANGULARITY	TOLERANCES UNLESS OTHERWISE SPECIFIED			
—	PERPENDICULARITY	12/32 MAXIMUM			
—	PARALLELISM	ANGLE ±1/2°			
—	TRUE POSITION	FRACTION ±1/32			
—	ROUNDNESS	DECIMAL			
—	CIRCULAR RUN OUT	.00 ±.01			
—	TOTAL RUN OUT	.000 ±.005			
—	CYLINDRICITY	.0000 ±.0005			
—	FINISH				
CLASS		DRAWN BY		DATE	
STAN FLY		KNH		07/18/2013	
DESCRIPTION		CHECKED BY		SCALE	
11-1/2,1,14T12/24,D24,250		RJH		DRAWING NO.	
				131124	
				SHEET OF REV.	

THIS DRAWING IS THE PROPERTY OF HAYES MFG. INC. AND IS LOANED SUBJECT TO THE CONDITION THAT IT SHALL NOT BE REPRODUCED, COPIED, LOANED OR OTHERWISE DISPOSED OF, DIRECTLY OR INDIRECTLY. IT SHALL BE USED AS A MEANS OF REFERENCE TO WORK FURNISHED BY THIS COMPANY ONLY AND IS NOT TO BE SUBMITTED TO OUTSIDE PARTIES FOR EXAMINATION WITHOUT OUR CONSENT.