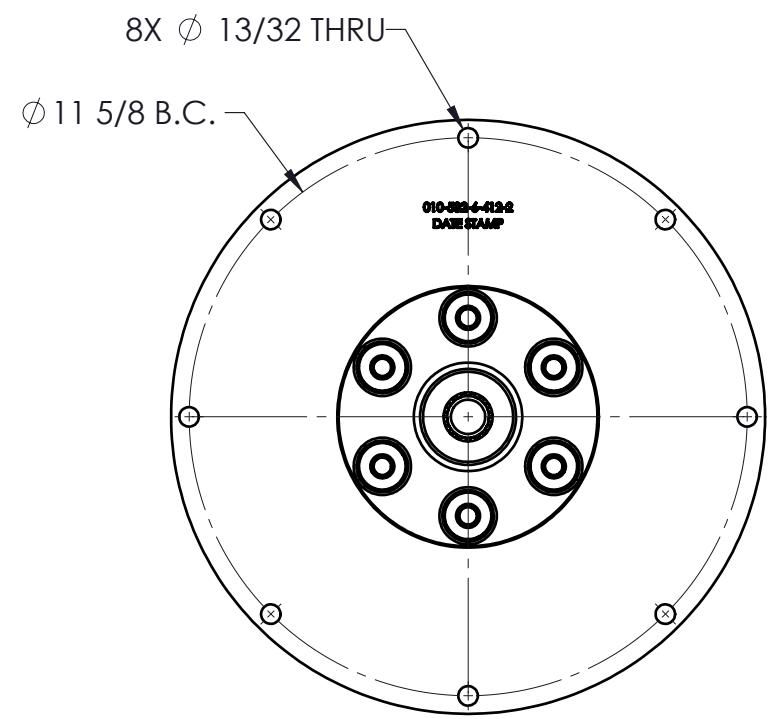
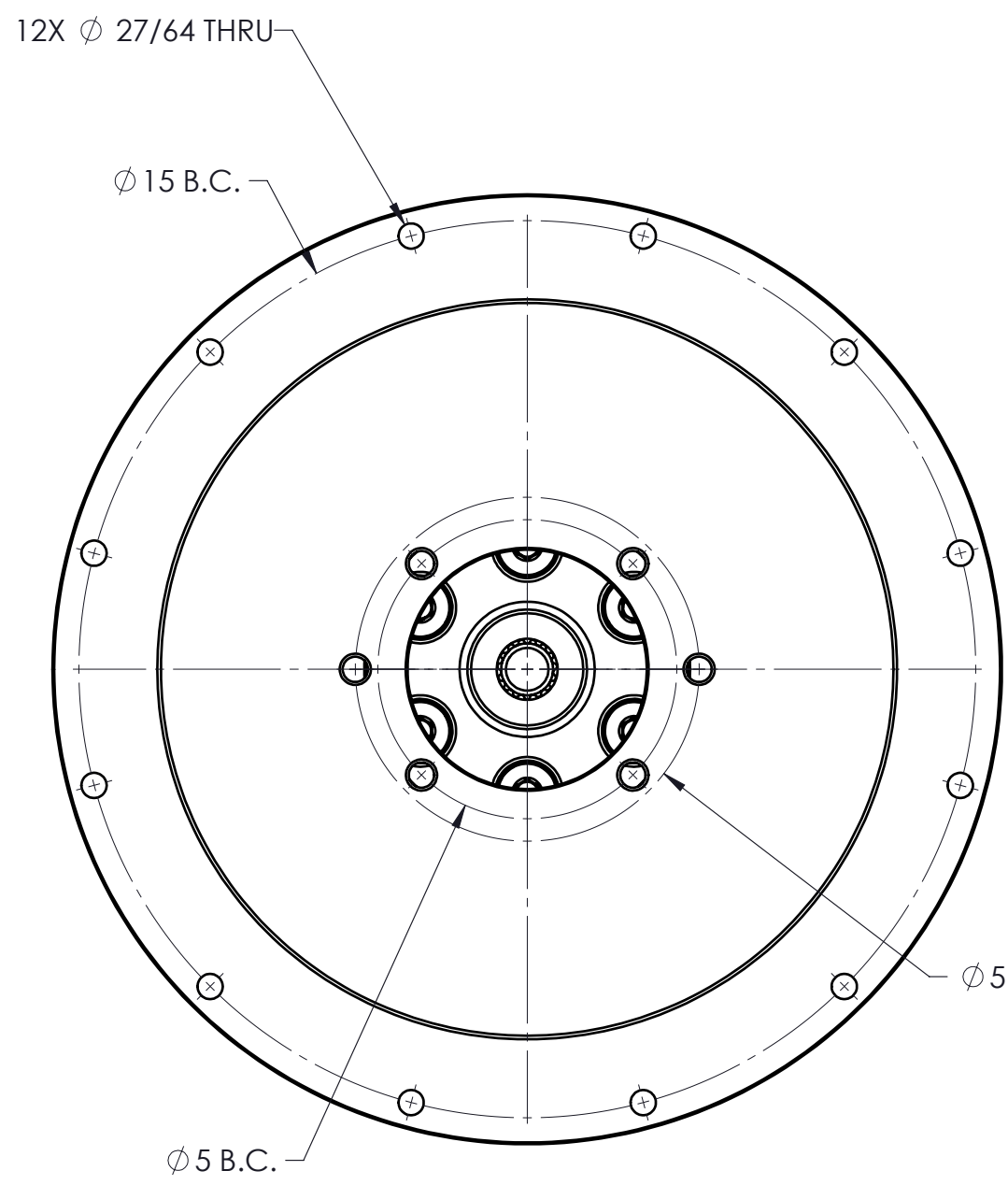
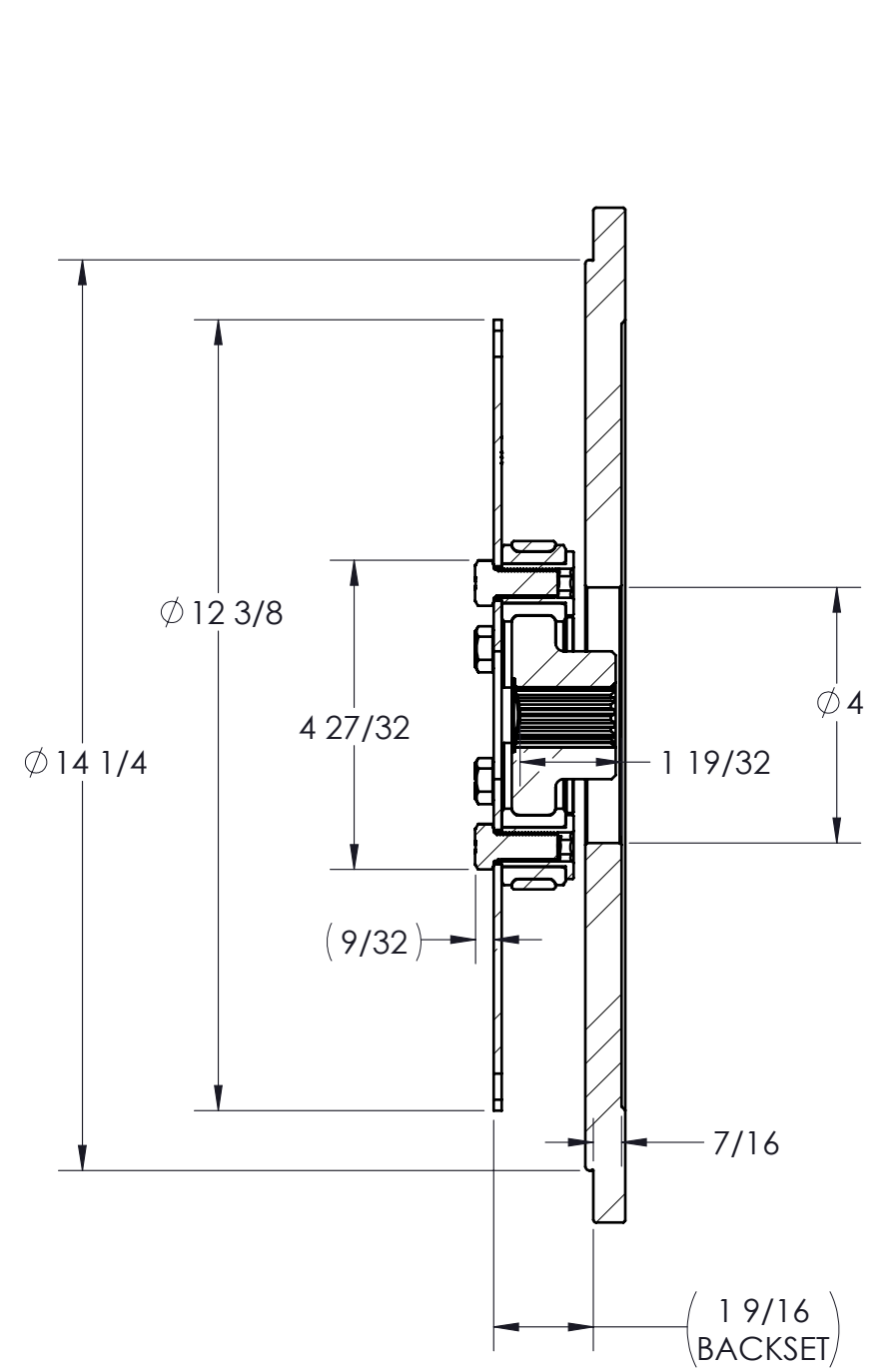


CUSTOMER DRAWING

REVISIONS					
ZONE	REV.	DESCRIPTION	DATE	APR 1	APR 2
3-B2, 4-B2	A	UPDATED TO PILOTED BUSHINGS	10/7/2022		



ITEM NO.	PART NUMBER	DESCRIPTION	QTY.
1	124746	FLYWHEEL COUPLING ASSEMBLY	1
2	123845-04	PUMP MOUNT PLATE	1

PUMP DRIVE SPECS	
FLYWHEEL	SAE 10
HOUSING	SAE 4
PUMP FLANGE	SAE B 2&4-BOLT
PUMP SHAFT	15T 16/32"BB"
HP RATING (@1800 RPM)	110

UNLESS OTHERWISE SPECIFIED:		
DIMENSIONS ARE IN INCHES		
TOLERANCES:		
FRACTIONAL $\pm 1/32$	CONCENTRICITY	COUNTERBORE
ANGULAR: MACH $\pm 1/2^\circ$	TRUE POSITION	COUNTERSINK
TWO DECIMAL $\pm .01$	PERPENDICULARITY	HOLE DEPTH
THREE DECIMAL $\pm .005$	SYMMETRIC	
FOUR DECIMAL $\pm .0005$		
CLASS	SAE 10	
DESCRIPTION	10,4,15T16/32,B24,110	
MAKE	X	WEIGHT
BUY		38.37 LB
		VOLUME
		CU.IN.
		HEAT TREAT
		FINISH

PROPRIETARY AND CONFIDENTIAL
 THE INFORMATION CONTAINED IN THIS DRAWING IS THE SOLE PROPERTY OF HAYES MANUFACTURING. ANY REPRODUCTION IN PART OR AS A WHOLE WITHOUT THE WRITTEN PERMISSION OF HAYES MANUFACTURING IS PROHIBITED.

	NAME	DATE
DRAWN	VHA	0/10/2022
PCM APPR.		
ENG APPR.	ZS	3/23/2023
SHIP. APPR.		
QA APPR.		
MATERIAL		

HAYES

TITLE: **PUMP DRIVE KIT**

DWG. NO. **131346** REV **A**

DO NOT SCALE SHEET 1 OF 4