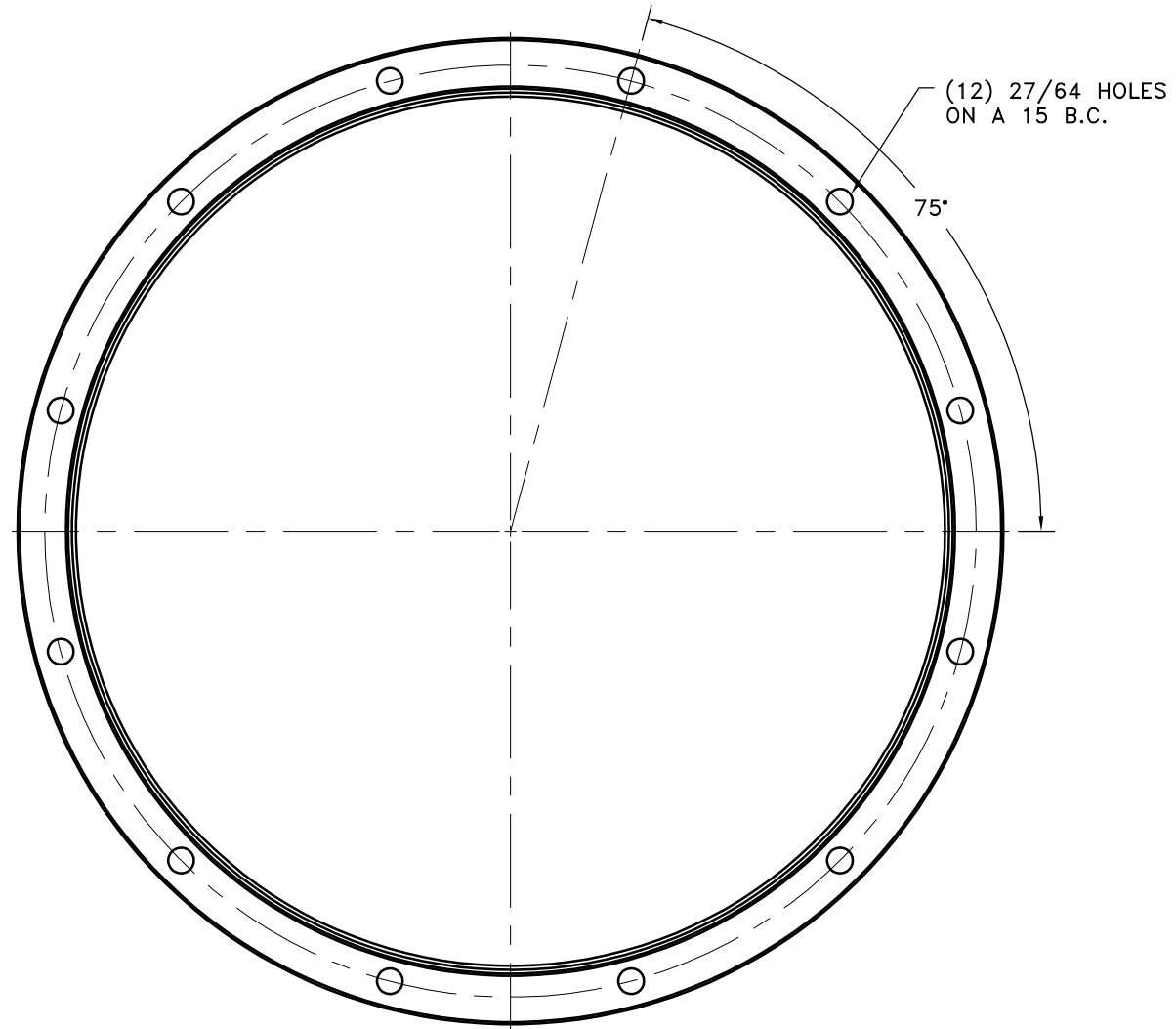
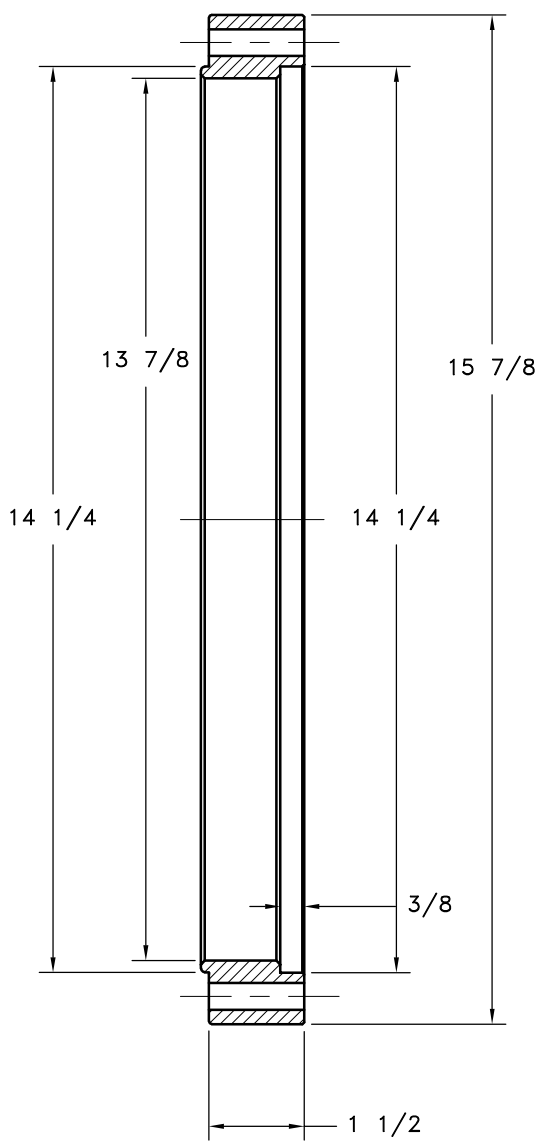


REV	DATE	CHANGE DESCRIPTION	MOD. BY	CK1	CK2



THIS DRAWING IS THE PROPERTY OF HAYES MFG. INC. AND IS LOANED SUBJECT TO THE CONDITION THAT IT SHALL NOT BE REPRODUCED, COPIED, LOANED OR OTHERWISE DISPOSED OF, DIRECTLY OR INDIRECTLY. IT SHALL BE USED AS A MEANS OF REFERENCE TO WORK FURNISHED BY THIS COMPANY ONLY AND IS NOT TO BE SUBMITTED TO OUTSIDE PARTIES FOR EXAMINATION WITHOUT OUR CONSENT.

SYMBOLS		DET.	PART NUMBER	DESCRIPTION	QTY.
	FLATNESS	DO NOT SCALE		HAYES MANUFACTURING INC. ®	
	STRAIGHTNESS	DRAWING			TITLE
	ANGULARITY	TOLERANCES UNLESS OTHERWISE SPECIFIED		SAE 4 TO SAE 4 SPACER	
	PERPENDICULARITY	125 MAXIMUM		MATERIAL	
	PARALLELISM	ANGLE ±1/2°		ALUMINUM	
	CONCENTRICITY	FRACTION ±1/32		DRAWN BY	DATE
	TRUE POSITION	DECIMAL		SIETING	06-04-2015
	ROUNDNESS	.00 ±.01		CHECKED BY	SCALE
	CIRCULAR RUN OUT	.000 ±.005			
	TOTAL RUN OUT	.0000 ±.0005			
	CYLINDRICITY				
	FINISH				
CLASS		MAKE: <input checked="" type="checkbox"/> BUY: <input type="checkbox"/>	DRAWING NO.	DRAWING NO.	
ADAPTER			131806	131806	
DESCRIPTION				SHEET OF REV.	
SAE 4 SPACER, 1.50					