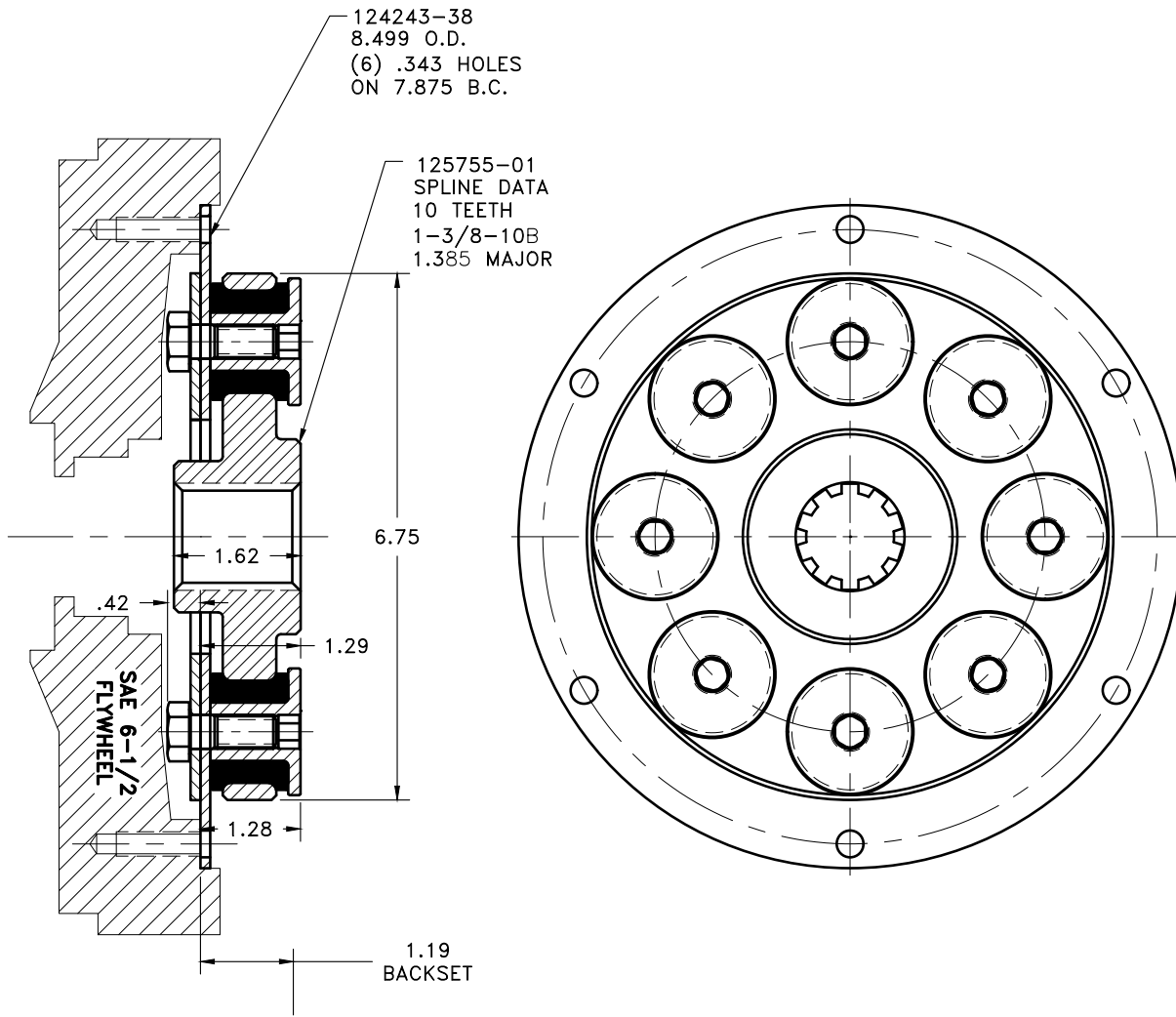


| REV | DATE | CHANGE DESCRIPTION | MOD.BY | CK1 | CK2 |
|-----|------|--------------------|--------|-----|-----|
| | | | | | |



UP TO 150 HP

| DET. | PART NUMBER | DESCRIPTION | QTY. |
|------|-------------|-------------------|------|
| 7 | 801912 | GREASE | 1 |
| 6 | BOLT | 7/16-20x1 HHB Y D | 8 |
| 5 | 124412 | THREADED BUSHING | 8 |
| 4 | H92500 | NEOPRENE INSERT | 8 |
| 3 | 125755-01 | COUPLING HUB | 1 |
| 2 | 124657-02 | BACKING PLATE | 1 |
| 1 | 124243-38 | FLYWHEEL PLATE | 1 |

| SYMBOLS | | DET. | PART NUMBER | DESCRIPTION | QTY. |
|-------------|------------------|---|-------------|---------------|------|
| — | FLATNESS | DO NOT SCALE | | | |
| — | STRAIGHTNESS | DRAWING | | | |
| — | ANGULARITY | TOLERANCES UNLESS OTHERWISE SPECIFIED | | | |
| ⊥ | PERPENDICULARITY | MAXIMUM | | | |
| ∥ | PARALLELISM | ANGLE ±1/2° | | | |
| ⊕ | TRUE POSITION | FRACTION ±1/32 | | | |
| ⊙ | ROUNDNESS | DECIMAL | | | |
| ⊘ | CIRCULAR RUN OUT | .00 ±.01 | | | |
| ⊘ | TOTAL RUN OUT | .000 ±.005 | | | |
| ⊘ | CYLINDRICITY | .0000 ±.0005 | | | |
| — | FINISH | | | | |
| CLASS | | MAKE: <input checked="" type="checkbox"/> BUY: <input type="checkbox"/> | | DRAWN BY | |
| SAE 6.5 | | | | DATE | |
| DESCRIPTION | | 6-1/2,1-38-10B,150 | | 07-21-2015 | |
| | | CHECKED BY | | SCALE | |
| | | | | DRAWING NO. | |
| | | | | 131842 | |
| | | | | SHEET OF REV. | |
| | | | | 1 | |



TITLE
FLYWHEEL COUPLING ASSEMBLY

THIS DRAWING IS THE PROPERTY OF HAYES MFG. INC. AND IS LOANED SUBJECT TO THE CONDITION THAT IT SHALL NOT BE REPRODUCED, COPIED, LOANED OR OTHERWISE DISPOSED OF, DIRECTLY OR INDIRECTLY. IT SHALL BE USED AS A MEANS OF REFERENCE TO WORK FURNISHED BY THIS COMPANY ONLY AND IS NOT TO BE SUBMITTED TO OUTSIDE PARTIES FOR EXAMINATION WITHOUT OUR CONSENT.