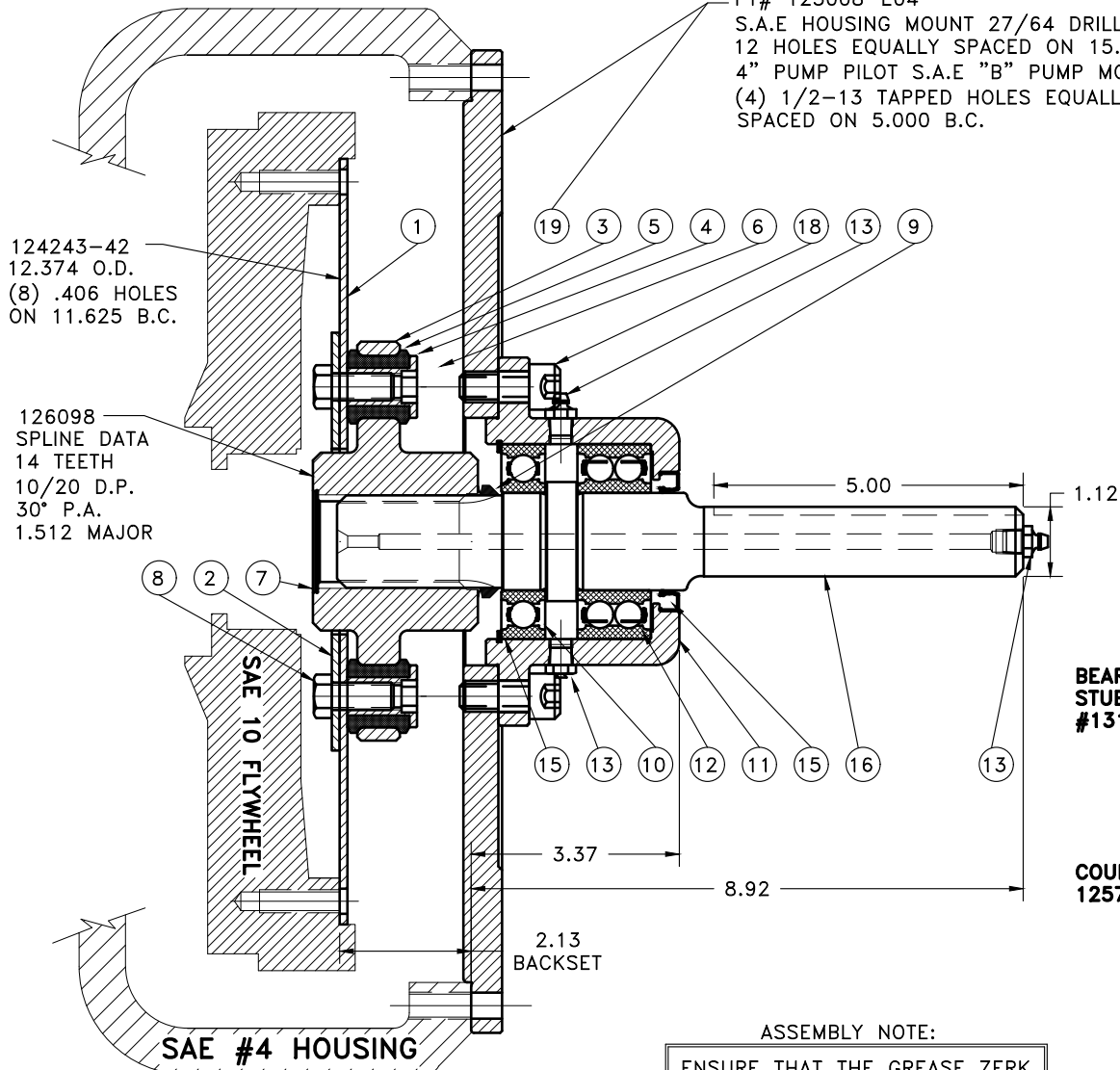


REV	DATE	CHANGE DESCRIPTION	MOD.BY	CK1	CK2
A	06/09/2016	CHANGED SEAL	BSL		

PT# 123008-E04  
 S.A.E HOUSING MOUNT 27/64 DRILL THRU  
 12 HOLES EQUALLY SPACED ON 15.00 B.C.  
 4" PUMP PILOT S.A.E "B" PUMP MOUNT.  
 (4) 1/2-13 TAPPED HOLES EQUALLY  
 SPACED ON 5.000 B.C.



124243-42  
 12.374 O.D.  
 (8) .406 HOLES  
 ON 11.625 B.C.

126098  
 SPLINE DATA  
 14 TEETH  
 10/20 D.P.  
 30° P.A.  
 1.512 MAJOR

SAE 10 FLYWHEEL

SAE #4 HOUSING

BEARING SUPPORTED  
 STUB SHAFT SUB-ASS'Y  
 #131909

COUPLING ASS'Y  
 125732

**NOTES:**

1. LIGHTLY GREASE INTERNAL AND EXTERNAL AREA OF SPLINE AT ASSEMBLY USING SUPPLIED COUPLING GREASE (OVER GREASING COULD CAUSE A HYDRAULIC TYPE LIFT ON SEALS).
2. **AT ASSEMBLY GREASE BEARING HOUSING UNTIL PIN EXTENDS FROM PRESSURE RELIEF VALVE (LOCATED 180° FROM GREASE ZERK).** USE OF AN UNLEADED EXTREME PRESSURE LITHIUM GREASE, WITH NLGI NO.2 GRADE IS RECOMMENDED. RUN TIME BETWEEN GREASINGS NOT TO EXCEED 800 HOURS.
3. **WARNING!!!** INJURY OR DEATH FROM A ROTATING STUB SHAFT CAN OCCUR IF A CONDITION EXISTS WHICH WOULD CAUSE THE SHAFT TO BREAK OR COME APART FROM ANY PART OF THE ASSEMBLY. DEPENDING UPON THE APPLICATION (FOR EXAMPLE, FAN, PULLEY, SHEAVE, ETC.), THE AREA AROUND THE STUB SHAFT MUST BE SUFFICIENTLY GUARDED SO THAT IN THE EVENT OF FAILURE, THE GUARD WILL CONTAIN ANY AIRBORNE PARTS.

**ASSEMBLY NOTE:**

ENSURE THAT THE GREASE ZERK  
 AND RELIEF VALVE ARE LOCATED  
 HORIZONTAL WHEN MOUNTING ON  
 TO PUMP MOUNT PLATE.

DET.	PART NUMBER	DESCRIPTION	QTY.
19	123008-E04	PUMP MOUNT PLATE	1
18	BOLT	1/2-13x1-1/8 SHCS D	4
17	1093K11	RELIEF VALVE	1
16	131908	SPLINED SHAFT	1
15	132015	SEAL	1
14	RR-314	SPIROLOX RETAINING RING	1
13	600000	GREASE ZERK	2
12	5208WD	DOUBLE BEARING	1
11	125007	BEARING HOUSING	1
10	208KD	BEARING	1
9	400401	V-RING	1
8	801912	GREASE	1
7	R-0017-02	GREASE PLUG	1
6	BOLT	7/16-20x1 HHB Y D	10
5	H62500	NEOPRENE INSERT	10
4	123727	THREADED BUSHING	10
3	126098	COUPLING HUB	1
2	124657-03	BACKING PLATE	1
1	124243-42	FLYWHEEL PLATE	1

SYMBOLS		DET.	PART NUMBER	DESCRIPTION	QTY.
	FLATNESS	DO NOT SCALE			
	STRAIGHTNESS	DRAWING			
	ANGULARITY	TOLERANCES UNLESS OTHERWISE SPECIFIED			
	PERPENDICULARITY				
	PARALLELISM				
	CONCENTRICITY				
	TRUE POSITION				
	ROUNDNESS				
	CIRCULAR RUN OUT				
	TOTAL RUN OUT				
	CYLINDRICITY				
	FINISH				

**HAYES**  
 MANUFACTURING INC. ®

TITLE: BEARING SUPPORTED STUB SHAFT SUB-ASSY

MATERIAL:

CLASS	MAKE: <input checked="" type="checkbox"/> BUY: <input type="checkbox"/>	DRAWN BY	DATE	DRAWING NO.
BS ASSY		BSL	09-14-2015	131907
DESCRIPTION		CHECKED BY	SCALE	SHEET OF REV.
10,4,1-1/8,5				131907

THIS DRAWING IS THE PROPERTY OF HAYES MFG. INC. AND IS LOANED SUBJECT TO THE CONDITION THAT IT SHALL NOT BE REPRODUCED, COPIED, LOANED OR OTHERWISE DISPOSED OF, DIRECTLY OR INDIRECTLY. IT SHALL BE USED AS A MEANS OF REFERENCE TO WORK FURNISHED BY THIS COMPANY ONLY AND IS NOT TO BE SUBMITTED TO OUTSIDE PARTIES FOR EXAMINATION WITHOUT OUR CONSENT.