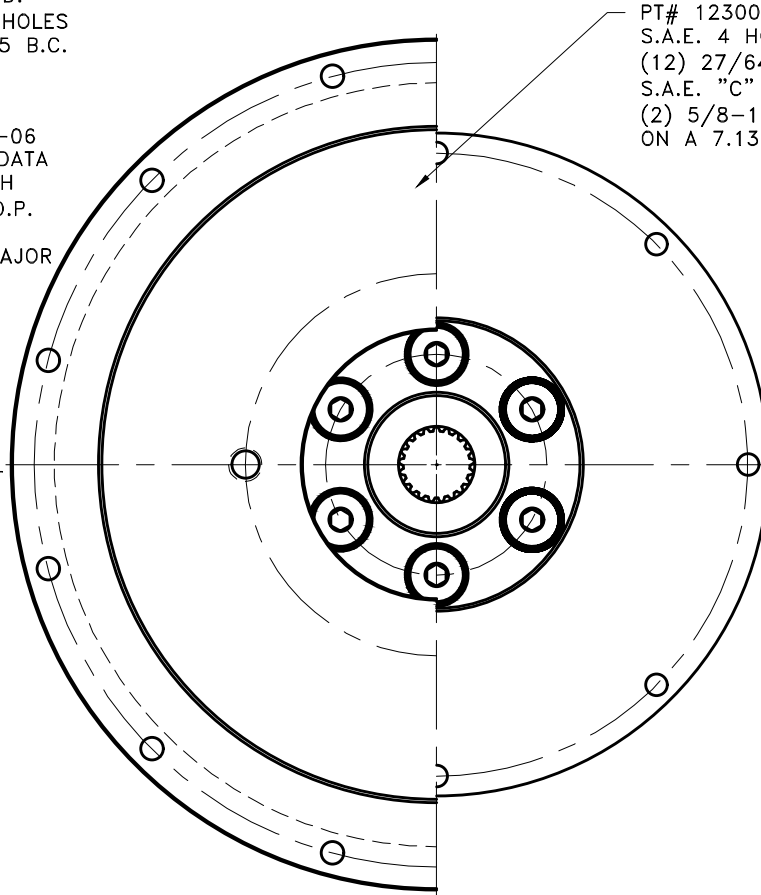
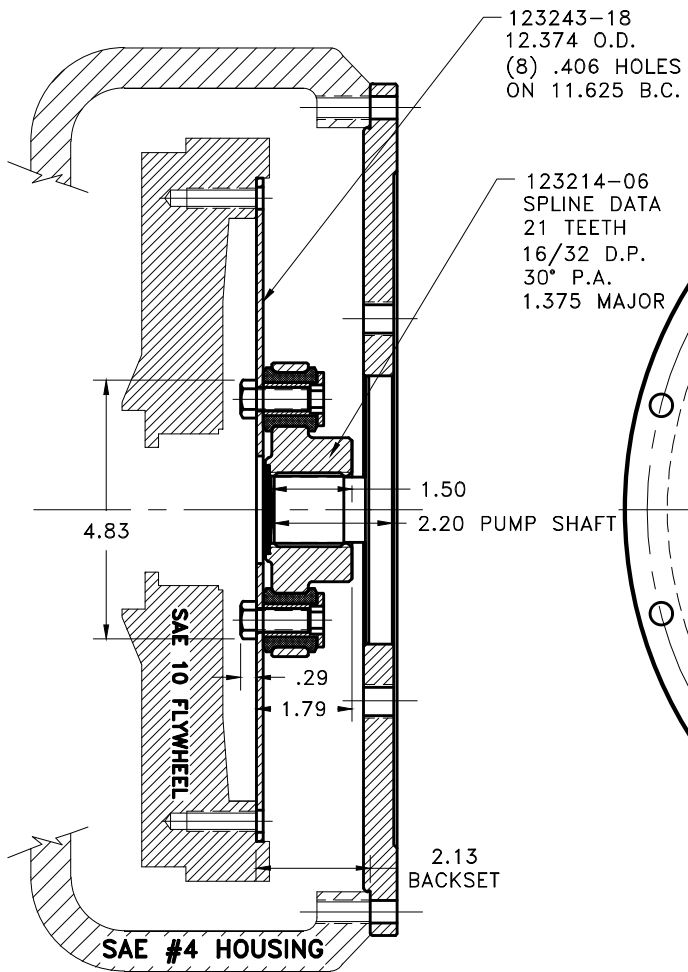


REV	DATE	CHANGE DESCRIPTION	MOD.BY	CK1	CK2



COUPLING ASS'Y #123132

UP TO 110 HP

DET.	PART NUMBER	DESCRIPTION	QTY.
8	123008-EX2	PUMP MOUNT PLATE	1
7	801912	GREASE	1
6	HP-1625-S-62	GREASE PLUG	1
5	BOLT	7/16-20x1 HHB Y D	6
4	123727	THREADED BUSHING	6
3	H62500	NEOPRENE INSERT	6
2	123214-06	COUPLING HUB	1
1	123243-18	FLYWHEEL PLATE	1

SYMBOLS		DET.	PART NUMBER	DESCRIPTION	QTY.
	FLATNESS	DO NOT SCALE			
	STRAIGHTNESS	DRAWING			
	ANGULARITY	TOLERANCES UNLESS OTHERWISE SPECIFIED			
	PERPENDICULARITY				
	PARALLELISM				
	CONCENTRICITY				
	TRUE POSITION				
	ROUNDNESS	ANGLE ±1/2°			
	CIRCULAR RUN OUT	FRACTION ±1/32			
	TOTAL RUN OUT	DECIMAL			
	CYLINDRICITY	.00 ±.01			
	FINISH	.0000 ±.0005			
CLASS		MAKE: <input type="checkbox"/> BUY: <input type="checkbox"/>	DRAWN BY	DATE	DRAWING NO.
DESCRIPTION			SIETING	11-11-2015	131982
			CHECKED BY	SCALE	SHEET OF REV.
					131982



TITLE
FLYWHEEL COUPLING ASS'Y WITH PUMP MOUNT PLATE

THIS DRAWING IS THE PROPERTY OF HAYES MFG. INC. AND IS LOANED SUBJECT TO THE CONDITION THAT IT SHALL NOT BE REPRODUCED, COPIED, LOANED OR OTHERWISE DISPOSED OF, DIRECTLY OR INDIRECTLY. IT SHALL BE USED AS A MEANS OF REFERENCE TO WORK FURNISHED BY THIS COMPANY ONLY AND IS NOT TO BE SUBMITTED TO OUTSIDE PARTIES FOR EXAMINATION WITHOUT OUR CONSENT.