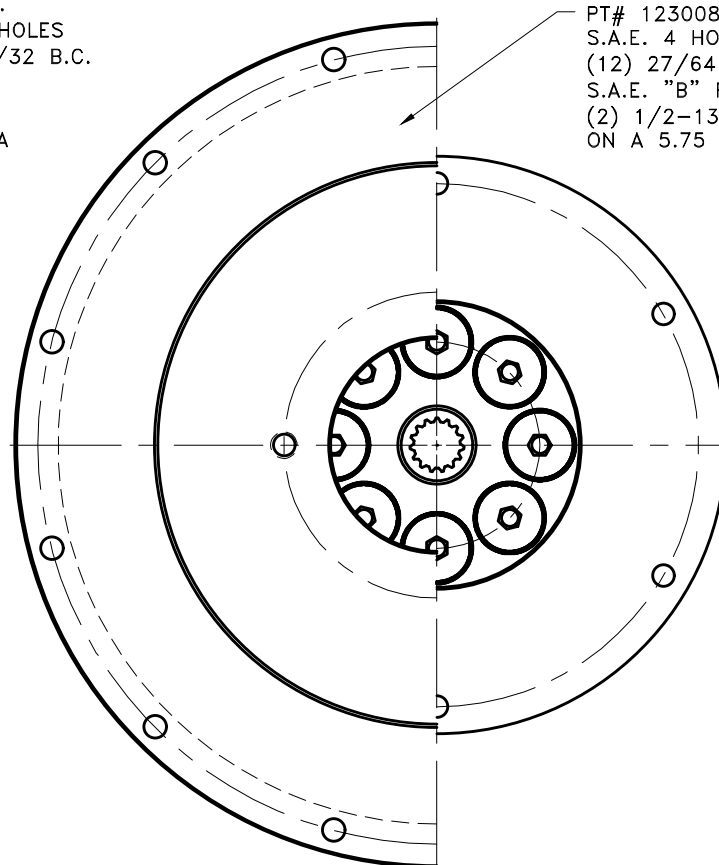
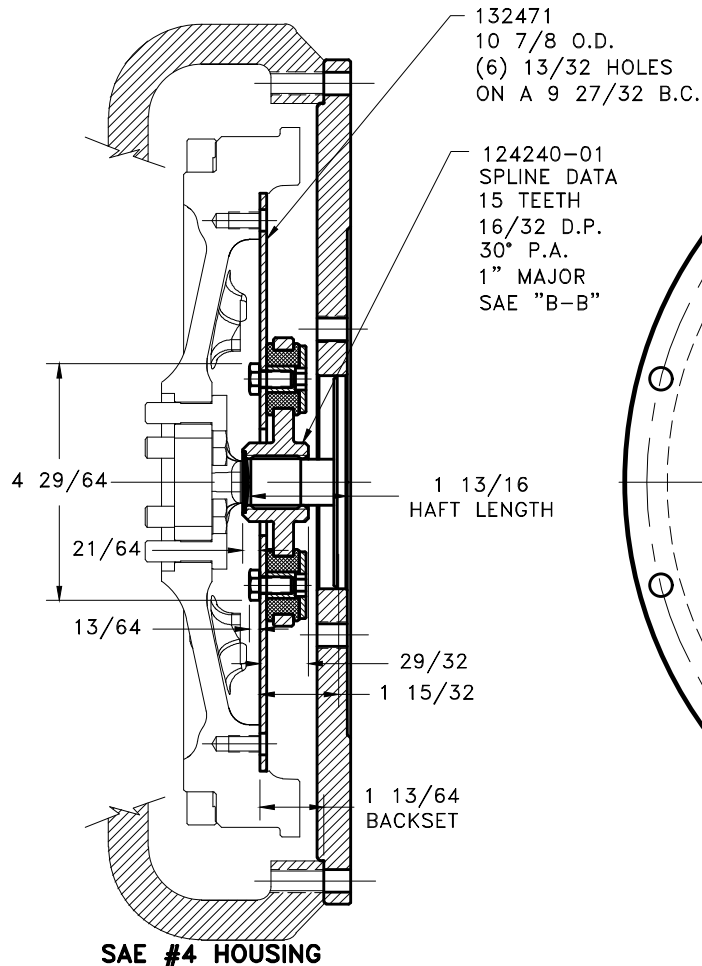


REV	DATE	CHANGE DESCRIPTION	MOD.BY	CK1	CK2



**UP TO 75 HP**

DET.	PART NUMBER	DESCRIPTION	QTY.
8	123008-E02	PUMP MOUNT PLATE	1
7	801912	GREASE	1
6	HP-1125-S-32	GREASE PLUG	1
5	BOLT	5/16-24x5/8 HHB	8
4	123729-01	THREADED BUSHING	8
3	H52500	NEOPRENE INSERT	8
2	124240-01	COUPLING HUB	1
1	132471	FLYWHEEL PLATE	1

**COUPLING ASSY**

**YANMAR 4JH4-TE, 4JH4-HTE  
NON SAE FLYWHEEL**

THIS DRAWING IS THE PROPERTY OF HAYES MFG. INC. AND IS LOANED SUBJECT TO THE CONDITION THAT IT SHALL NOT BE REPRODUCED, COPIED, LOANED OR OTHERWISE DISPOSED OF, DIRECTLY OR INDIRECTLY. IT SHALL BE USED AS A MEANS OF REFERENCE TO WORK FURNISHED BY THIS COMPANY ONLY AND IS NOT TO BE SUBMITTED TO OUTSIDE PARTIES FOR EXAMINATION WITHOUT OUR CONSENT.

SYMBOLS		DET.	PART NUMBER	DESCRIPTION	QTY.
	FLATNESS	DO NOT SCALE			
	STRAIGHTNESS	DRAWING			
	ANGULARITY	TOLERANCES UNLESS OTHERWISE SPECIFIED			
	PERPENDICULARITY	1/32" MAXIMUM			
	PARALLELISM	ANGLE ±1/2°			
	TRUE POSITION	FRACTION ±1/32			
	CONCENTRICITY	DECIMAL			
	ROUNDNESS	.00 ±.01			
	CIRCULAR RUN OUT	.000 ±.005			
	TOTAL RUN OUT	.0000 ±.0005			
	CYLINDRICITY				
	FINISH				
CLASS		YANMAR		TITLE	
YANMAR		MAKE: <input checked="" type="checkbox"/> BUY: <input type="checkbox"/>		YANMAR 4JH PUMP DRIVE KIT	
DESCRIPTION		YNM4JH,15T16/32,B2,75		DRAWING NO.	
YANMAR		YNM4JH,15T16/32,B2,75		132415	
DRAWN BY		SIETING		DATE	
10-10-2016		SCALE		SHEET	
CHECKED BY		SCALE		OF	
				REV.	

