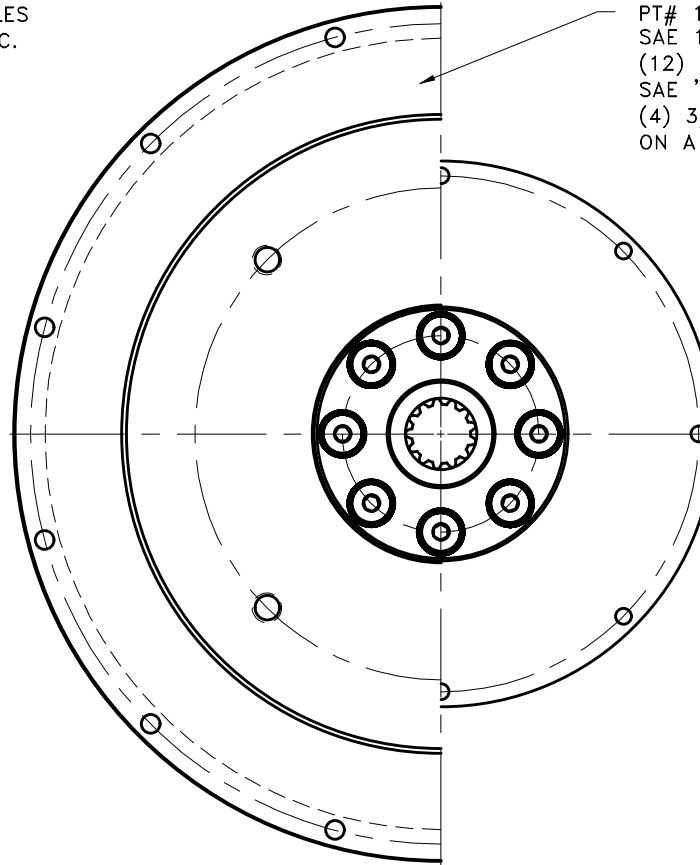
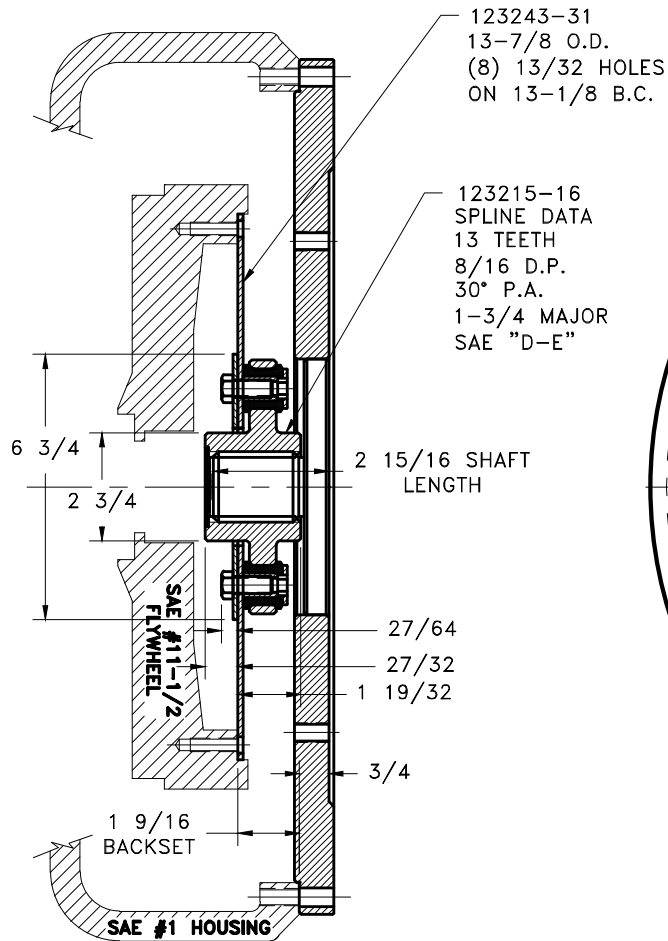


REV	DATE	CHANGE DESCRIPTION	MOD.BY	CK1	CK2



**UP TO 150 HP**

QTY.	PART NUMBER	DESCRIPTION
1	123008-AT4	PUMP MOUNT PLATE
1	801912	GREASE
1	HP-2000-S-62	GREASE PLUG
8	BOLT	7/16-20x1 HHB
8	123727	THREADED BUSHING
8	H62500	NEOPRENE INSERT
1	123215-16	COUPLING HUB
1	124657-02	BACKING PLATE
1	123243-31	FLYWHEEL PLATE

**COUPLING ASSY  
#124140**

SYMBOLS		DET.	PART NUMBER	DESCRIPTION	QTY.
—	FLATNESS	DO NOT SCALE			
—	STRAIGHTNESS	DRAWING			
—	ANGULARITY	TOLERANCES UNLESS OTHERWISE SPECIFIED			
—	PERPENDICULARITY	1/32 MAXIMUM			
—	PARALLELISM	ANGLE ±1/2°			
—	CONCENTRICITY	FRACTION ±1/32			
—	TRUE POSITION	DECIMAL			
—	ROUNDNESS	.00 ±.01			
—	CIRCULAR RUN OUT	.000 ±.005			
—	TOTAL RUN OUT	.0000 ±.0005			
—	CYLINDRICITY				
—	FINISH				
CLASS	SAE 11.5	MAKE: <input checked="" type="checkbox"/> BUY: <input type="checkbox"/>	DRAWN BY	DATE	DRAWING NO.
DESCRIPTION	11-1/2,1,13T8/16,E4,150		SIETING	03-06-2017	132579
			CHECKED BY	SCALE	SHEET OF REV.
					132579



**PUMP DRIVE KIT**

THIS DRAWING IS THE PROPERTY OF HAYES MFG. INC. AND IS LOANED SUBJECT TO THE CONDITION THAT IT SHALL NOT BE REPRODUCED, COPIED, LOANED OR OTHERWISE DISPOSED OF, DIRECTLY OR INDIRECTLY. IT SHALL BE USED AS A MEANS OF REFERENCE TO WORK FURNISHED BY THIS COMPANY ONLY AND IS NOT TO BE SUBMITTED TO OUTSIDE PARTIES FOR EXAMINATION WITHOUT OUR CONSENT.