

REV	DATE	CHANGE DESCRIPTION	MOD. BY	CK1	CK2
C	05/20/2010	CHANGED TO 1011 WOODRUFF KEY	ZS	RJH	

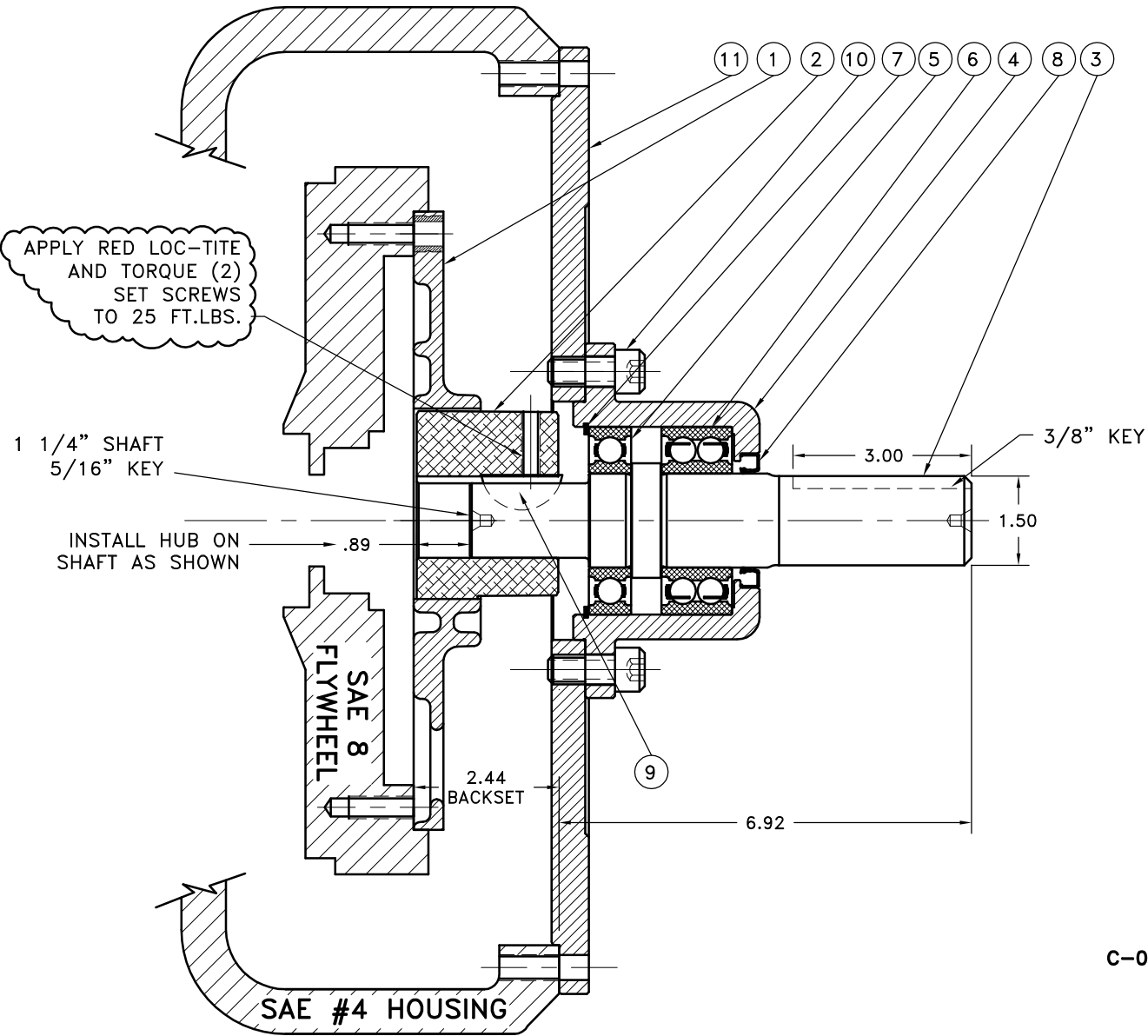
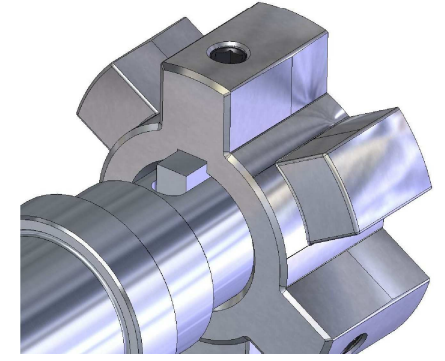
NOTES:

1. **WARNING!!!** INJURY OR DEATH FROM A ROTATING STUB SHAFT CAN OCCUR IF A CONDITION EXISTS WHICH WOULD CAUSE THE SHAFT TO BREAK OR COME APART FROM ANY PART OF THE ASSEMBLY. DEPENDING UPON THE APPLICATION (FOR EXAMPLE, FAN, PULLEY, SHEAVE, ETC.), THE AREA AROUND THE STUB SHAFT MUST BE SUFFICIENTLY GUARDED SO THAT IN THE EVENT OF FAILURE, THE GUARD WILL CONTAIN ANY AIRBORNE PARTS.

ASSEMBLY NOTE:

MUST USE DOUBLE SEALED BEARINGS.

HUB/SHAFT ORIENTATION



150-S
C-080-HC4-43

QTY.	DESCRIPTION	PART NUMBER	DET.
1	PUMP MOUNT PLATE [4\B4BOLT]	123008-E04	11
4	1/2-13 SHCS	740000	10
1	1 3/8 x 5/16 WOODRUFF KEY	23-1011	7
1	SEAL	CRW1R15830	6
1	SPIROLOX RETAINING RING	RR-314	5
1	DOUBLE BEARING	5208-2RS	4
1	BEARING	6208-2RS	3
1	BEARING HOUSING	128498	2
1	STUB SHAFT	150000-01	1
1	HEX~FLX HUB	HC4-43	2
1	HEX~FLX DRIVE PLATE	C-080	1

SYMBOLS		DET.	PART NUMBER	DESCRIPTION	QTY.
/ FLATNESS - STRAIGHTNESS < ANGLE L ANGULARITY L PERPENDICULARITY // PARALLELISM @ CONCENTRICITY ⊕ TRUE POSITION ○ ROUNDNESS Ⓢ CIRCULAR RUN OUT Ⓢ TOTAL RUN OUT / CYLINDRICITY ✓ FINISH		DO NOT SCALE DRAWING			
TOLERANCES UNLESS OTHERWISE SPECIFIED 125 MAXIMUM ANGLE ±1/2° FRACTION ±1/32 DECIMAL .00 ±.01 .000 ±.005 .0000 ±.0005					
TITLE BEARING SUPPORTED STUB SHAFT ASSY		MATERIAL			
CLASS	MAKE: <input type="checkbox"/> BUY: <input type="checkbox"/>	DRAWN BY	DATE	DRAWING NO.	
DESCRIPTION		LAWSON	9-13-05	150-080-04-S	
		CHECKED BY	SCALE	SHEET OF REV.	
		RJH			

THIS DRAWING IS THE PROPERTY OF HAYES MFG. INC. AND IS LOANED SUBJECT TO THE CONDITION THAT IT SHALL NOT BE REPRODUCED, COPIED, LOANED OR OTHERWISE DISPOSED OF, DIRECTLY OR INDIRECTLY. IT SHALL BE USED AS A MEANS OF REFERENCE TO WORK FURNISHED BY THIS COMPANY ONLY AND IS NOT TO BE SUBMITTED TO OUTSIDE PARTIES FOR EXAMINATION WITHOUT OUR CONSENT.