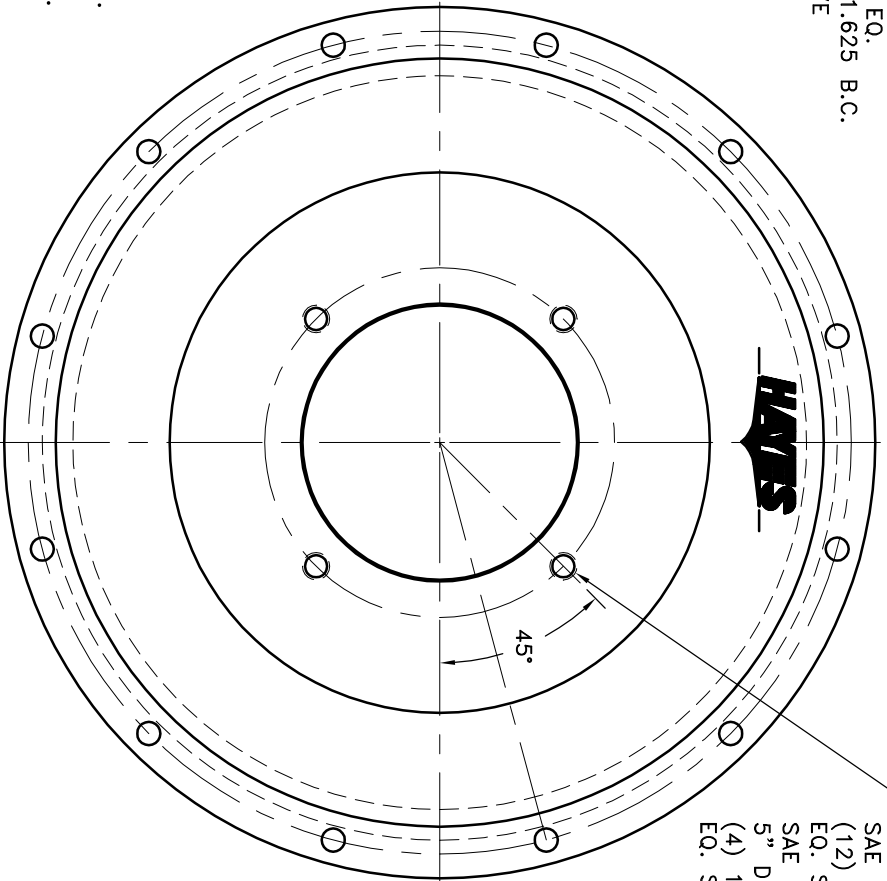
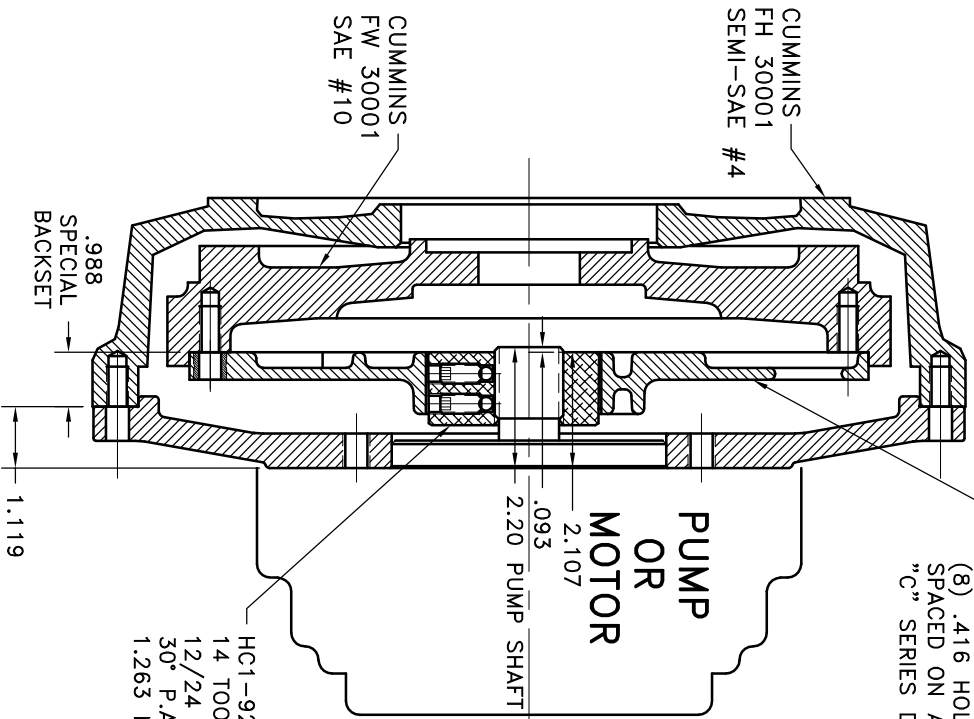


REV	DATE	CHANGE DESCRIPTION	MOD BY	CK1	CK2

978003-07  
 SAE #4 HOUSING MOUNT  
 (12) 27/64 DRILL THRU  
 EQ. SPACED ON 15.00 B.C.  
 SAE "C" PUMP MOUNT  
 5" DIA PUMP PILOT  
 (4) 1/2-13 TAPPED HOLES  
 EQ. SPACED ON 6.38 B.C.

C-010  
 S.A.E. 10 FIBERGLASS REINFORCED  
 NYLON DRIVE PLATE  
 (8) .416 HOLES EQ.  
 SPACED ON A 11.625 B.C.  
 "C" SERIES DRIVE



**IMPORTANT INSTALLATION NOTE!!!!**  
 THIS PRINT IS FOR LOCATION OF HUB ON SPLINED SHAFTS ONLY. IMPROPER INSTALLATION OF HUB COULD CAUSE PREMATURE WEAR AND OR FAILURE. IF YOU HAVE A SHAFT LENGTH OTHER THAN THOSE SHOWN HERE PLEASE CONTACT DISTRIBUTOR OR FACTORY FOR FURTHER INFORMATION. HUB SET SCREWS MUST BE PROPERLY TORQUED TO 20 FT.-LBS. EACH. PLEASE CONTACT DISTRIBUTOR OR FACTORY FOR ANY FURTHER QUESTIONS.

THIS DRAWING IS THE PROPERTY OF HAYES MFG. INC. AND IS LOANED TO YOU FOR THE CONSTRUCTION OF THE PART DESCRIBED ONLY. IT SHALL BE USED AS A MEANS OF REFERENCE TO WORK FURNISHED BY THIS COMPANY ONLY AND IS NOT TO BE SUBMITTED TO OUTSIDE PARTIES FOR EXAMINATION WITHOUT OUR CONSENT.

**SYMBOLS**

- FLATTENED SURFACES
  - ANGULARITY
  - SQUARENESS
  - PARALLELISM
  - TAPER
  - ROUNDNESS
  - TOTAL RUN OUT
  - CYLINDRICITY
- FINISH

UNLESS OTHERWISE SPECIFIED -  
 REMAKE FIRST THREE  
 BREAK ALL SHARP CORNERS .010 TO .020  
 STAMP OR MARK DRAWING NO.

QTY.	DESCRIPTION	PART NUMBER	DET.	DO NOT SCALE DRAWING	DO NOT SCALE DIMENSIONS UNLESS SPECIFIED OTHERWISE
1	BOLT KIT	977645	4		
1	SAE 4 HOUSING	978003-07	3		
1	HEX-FLX HUB	HCI-92	2		
1	HEX-FLX DRIVE PLATE	C-010	1		



TITLE CUMMINS 3.3L HEX-FLX ASS'Y

DRAWN BY	DATE	DRAWING NO.
SLTJNG	07-12-07	015-0-HCI-92-C4
CHECKED BY	SCALE	SHEET OF
RJH		REV.