

| REV | DATE | CHANGE DESCRIPTION | MOD.BY | CK1 | CK2 |
|-----|------|--------------------|--------|-----|-----|
| | | | | | |

YANMAR HOUSING
171301-01600 OR
SIMILAR SEMI-SAE #5

C-075
9.499 O.D.
(8) .343 HOLES
ON 8.750 B.C.

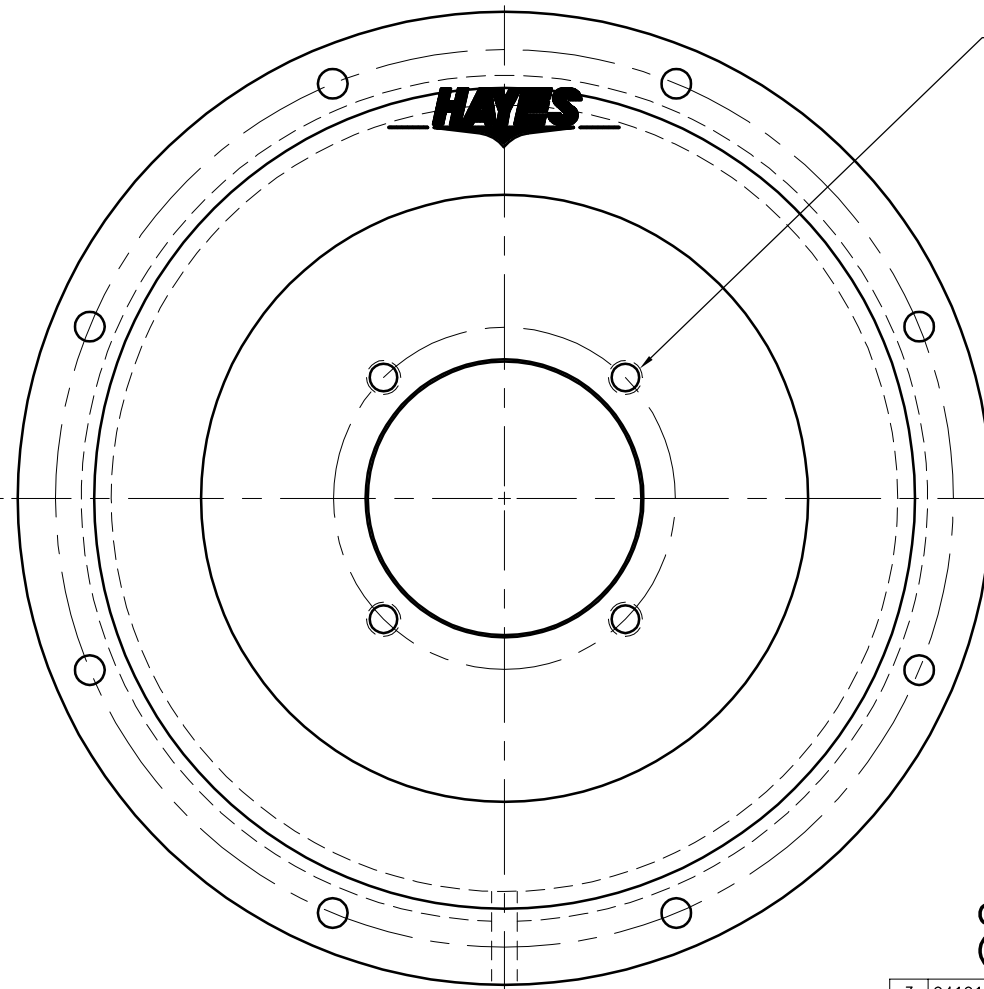
HC1-89
SPLINE DATA
15 TEETH
16/32 D.P.
30° P.A.
1.016 MAJOR
SAE "B-B"

2.04
.22
1.81 SHAFT LENGTH

PUMP
OR
MOTOR

YANMAR FLYWHEEL
SAE #7-1/2
119265-21590 OR
SIMILAR

.59
SPECIAL
BACKSET



SAE "B" 4-BOLT MOUNT
4.00 DIA PUMP PILOT
(4) 1/2-13 TAPPED HOLES
EQ. SPACED ON 5.00 B.C.

NOTE: FITS YANMAR ENGINE
NO.s 3TNE68 VH, 3TNE74 VM,
3TNV88, 4TNV88
SEMI SAE #5 HOUSING

C TORQUE RANGE
(65-175 HP)

| QTY. | DESCRIPTION | PART NUMBER | DET. |
|------|---------------|-------------|------|
| 1 | HOUSING | 941916-01 | 3 |
| 1 | HEX~FLX HUB | HC1-89 | 2 |
| 1 | HEX~FLX PLATE | C-075 | 1 |

| SYMBOLS | | DET. | PART NUMBER | DESCRIPTION | QTY. |
|---------|------------------|------|-------------|-------------|------|
| | FLATNESS | | | | |
| | STRAIGHTNESS | | | | |
| | ANGULARITY | | | | |
| | SQUARENESS | | | | |
| | PARALLELISM | | | | |
| | CONCENTRICITY | | | | |
| | TRUE POSITION | | | | |
| | ROUNDNESS | | | | |
| | CIRCULAR RUN OUT | | | | |
| | TOTAL RUN OUT | | | | |
| | CYLINDRICITY | | | | |
| | FINISH | | | | |

DO NOT SCALE DRAWING
TOLERANCES UNLESS OTHERWISE SPECIFIED

| | |
|-------------|----------------|
| ANGLE ±1/2° | FRACTION ±1/32 |
| DECIMAL | .00 ±.01 |
| | .000 ±.005 |
| | .0000 ±.0005 |

— UNLESS OTHERWISE SPECIFIED —
REMOVE FIRST THREAD ON ALL TAPPED HOLES
BREAK ALL SHARP CORNERS .010 TO .020 STAMP OR MARK DRAWING NO.

TM MANUFACTURING INC.

TITLE
YANMAR 3TNE HOUSING & FLYWHEEL COUPLING ASSY

MATERIAL

| | | |
|------------|----------|-----------------|
| DRAWN BY | DATE | DRAWING NO. |
| SIETING | 07-31-07 | 035-0-HC1-89-B4 |
| CHECKED BY | SCALE | SHEET OF REV. |

THIS DRAWING IS THE PROPERTY OF HAYES MFG. INC. AND IS LOANED SUBJECT TO THE CONDITION THAT IT SHALL NOT BE REPRODUCED, COPIED, LOANED OR OTHERWISE DISPOSED OF, DIRECTLY OR INDIRECTLY. IT SHALL BE USED AS A MEANS OF REFERENCE TO WORK FURNISHED BY THIS COMPANY ONLY AND IS NOT TO BE SUBMITTED TO OUTSIDE PARTIES FOR EXAMINATION WITHOUT OUR CONSENT.

NOTE: TORQUE ALL M10 BOLTS 29-33 FT.LBS.
TORQUE ALL M8 BOLTS 20-25 FT.LBS.