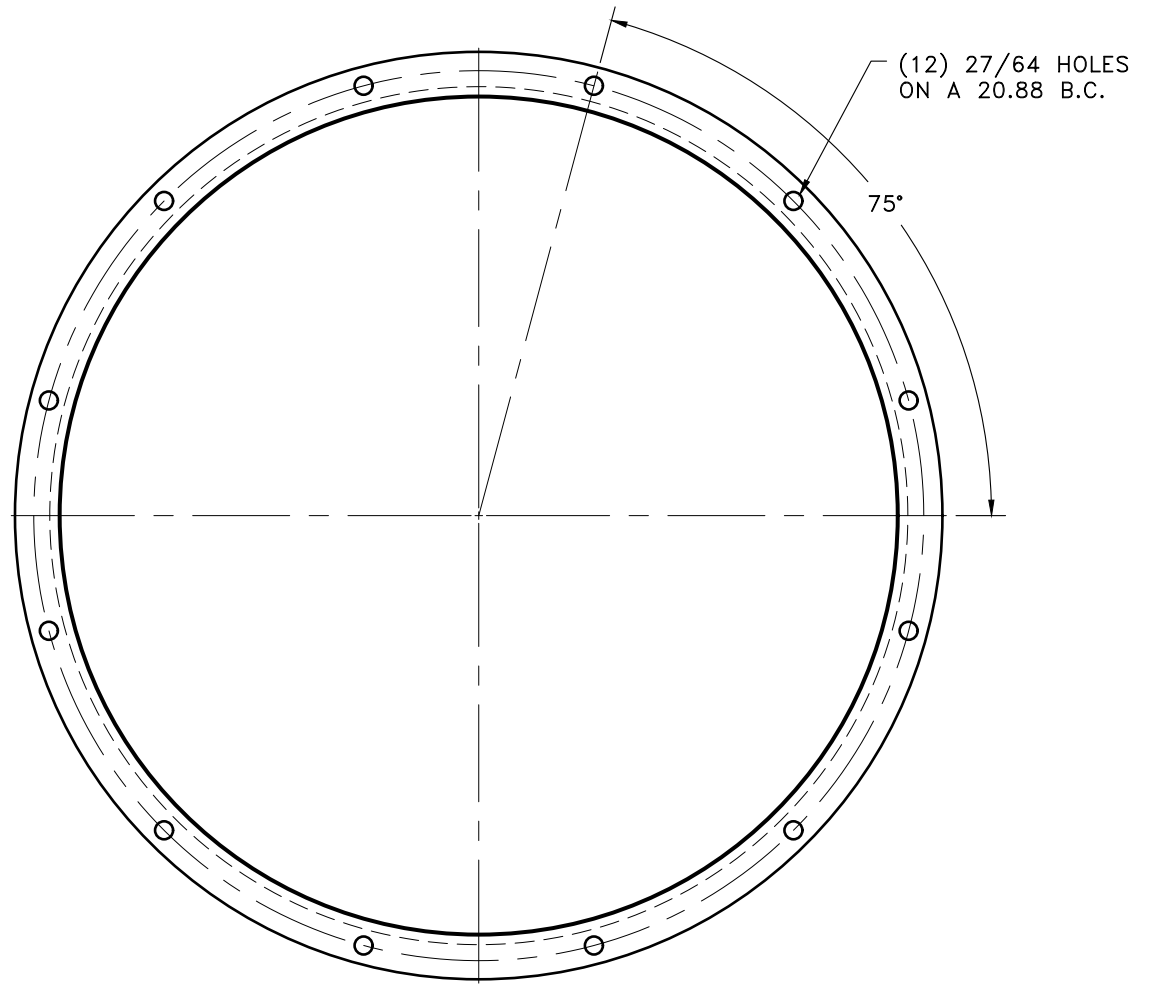
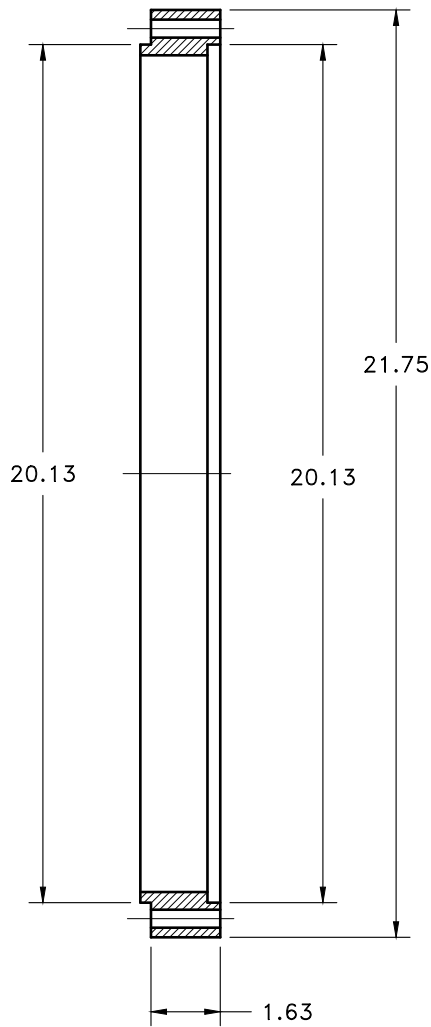


REV	DATE	CHANGE DESCRIPTION	MOD.BY	CK1	CK2



SAE #1 TO #1 WITH 1 5/8" SETBACK

THIS DRAWING IS THE PROPERTY OF HAYES MFG. INC. AND IS LOANED SUBJECT TO THE CONDITION THAT IT SHALL NOT BE REPRODUCED, COPIED, LOANED OR OTHERWISE DISPOSED OF, DIRECTLY OR INDIRECTLY. IT SHALL BE USED AS A MEANS OF REFERENCE TO WORK FURNISHED BY THIS COMPANY ONLY AND IS NOT TO BE SUBMITTED TO OUTSIDE PARTIES FOR EXAMINATION WITHOUT OUR CONSENT.

SYMBOLS	DET.	PART NUMBER	DESCRIPTION	QTY.
<ul style="list-style-type: none"> ▭ FLATNESS ▭ STRAIGHTNESS ▭ ANGULARITY ⊥ PERPENDICULARITY ∥ PARALLELISM ⊙ CONCENTRICITY ⊕ TRUE POSITION ○ ROUNDNESS ⊘ CIRCULAR RUN OUT ⊘ TOTAL RUN OUT ⊘ CYLINDRICITY ⊘ FINISH 	DO NOT SCALE DRAWING			
	TOLERANCES UNLESS OTHERWISE SPECIFIED			TITLE
	1/32" MAXIMUM		HOUSING ADAPTER	
	ANGLE ±1/2°		MATERIAL	
	FRACTION ±1/32		ALUMINUM	
	DECIMAL		CLASS	
	.00 ±.01	MAKE: <input type="checkbox"/> BUY: <input type="checkbox"/>	DRAWN BY	DATE
	.0000 ±.0005		SIETING	11-29-2016
			CHECKED BY	SCALE
				DRAWING NO.
				26-00155
				SHEET OF REV.
				26-00155