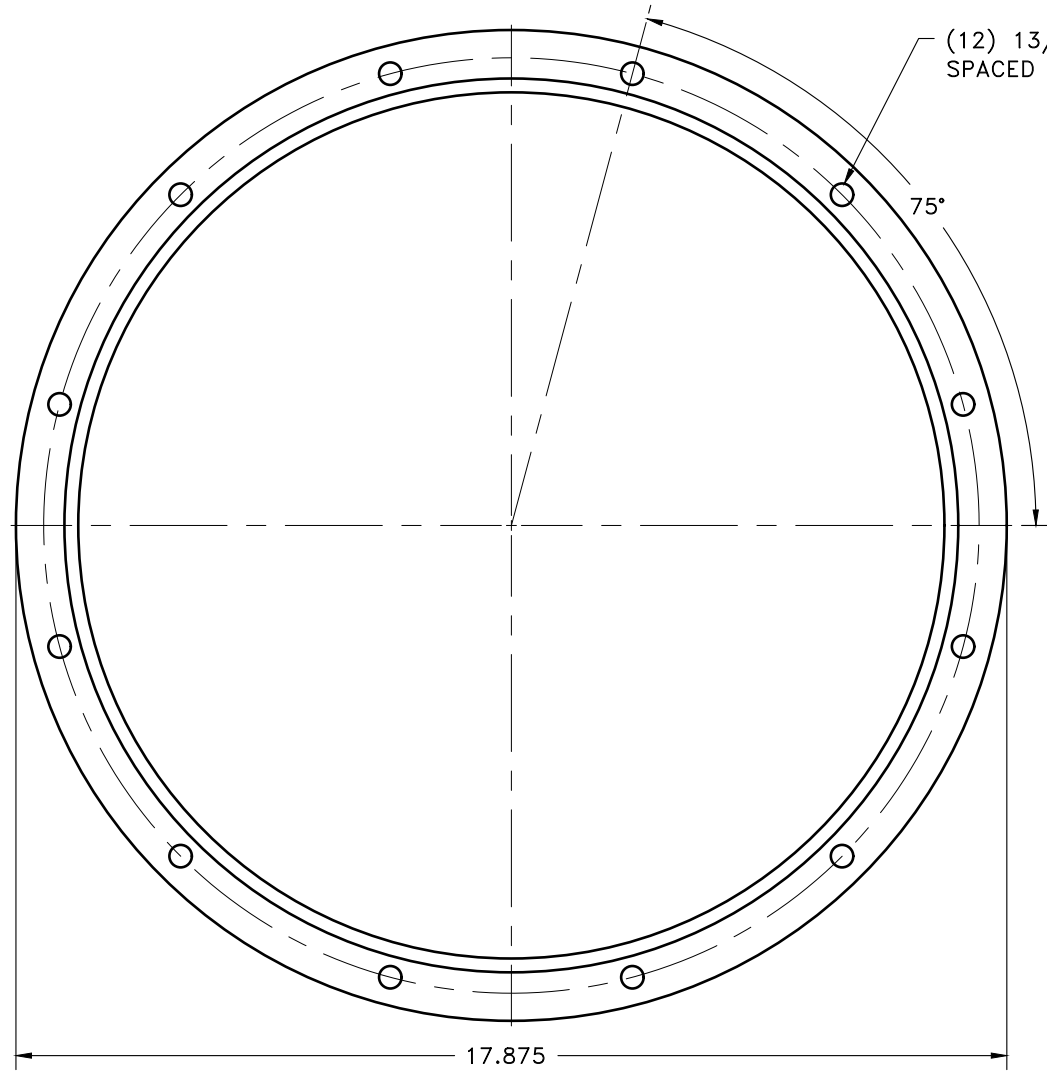
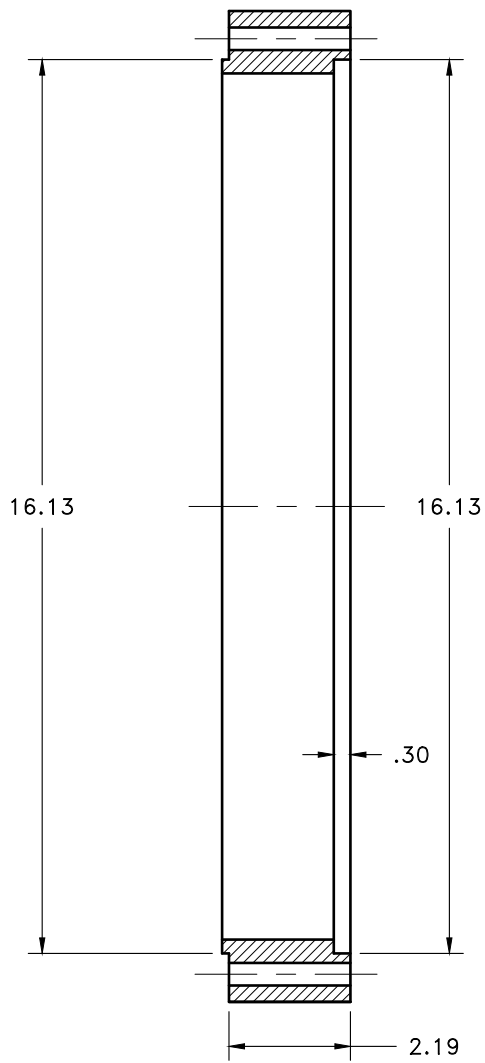


REV	DATE	CHANGE DESCRIPTION	MOD.BY	CK1	CK2



(12) 13/32 HOLES EQ.
SPACED ON A 16 7/8" B.C.

SAE #3 TO #3 x 2-3/16" OFFSET

THIS DRAWING IS THE PROPERTY OF HAYES MFG. INC. AND IS LOANED SUBJECT TO THE CONDITION THAT IT SHALL NOT BE REPRODUCED, COPIED, LOANED OR OTHERWISE DISPOSED OF, DIRECTLY OR INDIRECTLY. IT SHALL BE USED AS A MEANS OF REFERENCE TO WORK FURNISHED BY THIS COMPANY ONLY AND IS NOT TO BE SUBMITTED TO OUTSIDE PARTIES FOR EXAMINATION WITHOUT OUR CONSENT.

SYMBOLS		DET.	PART NUMBER	DESCRIPTION	QTY.
≡ FLATNESS	DO NOT SCALE				S.A.E. HOUSING SPACER
— STRAIGHTNESS	DRAWING				
∠ ANGULARITY	TOLERANCES UNLESS OTHERWISE SPECIFIED	MATERIAL			DRAWING NO. 26-00337
⊥ PERPENDICULARITY	1/32" MAXIMUM	ALUMINUM			
∥ PARALLELISM	ANGLE ±1/2'	CLASS	MAKE: <input type="checkbox"/> BUY: <input type="checkbox"/>	DATE	SHEET OF REV.
⊙ CONCENTRICITY	FRACTION ±1/32	DESCRIPTION	DATE	04-10-07	
⊕ TRUE POSITION	DECIMAL	DRAWN BY		SCALE	
○ ROUNDNESS	.00 ±.01	SIETING		RJH	
⊘ CIRCULAR RUN OUT	.000 ±.005	CHECKED BY			
⊘ TOTAL RUN OUT	.0000 ±.0005	RJH			
⊘ FINISH					