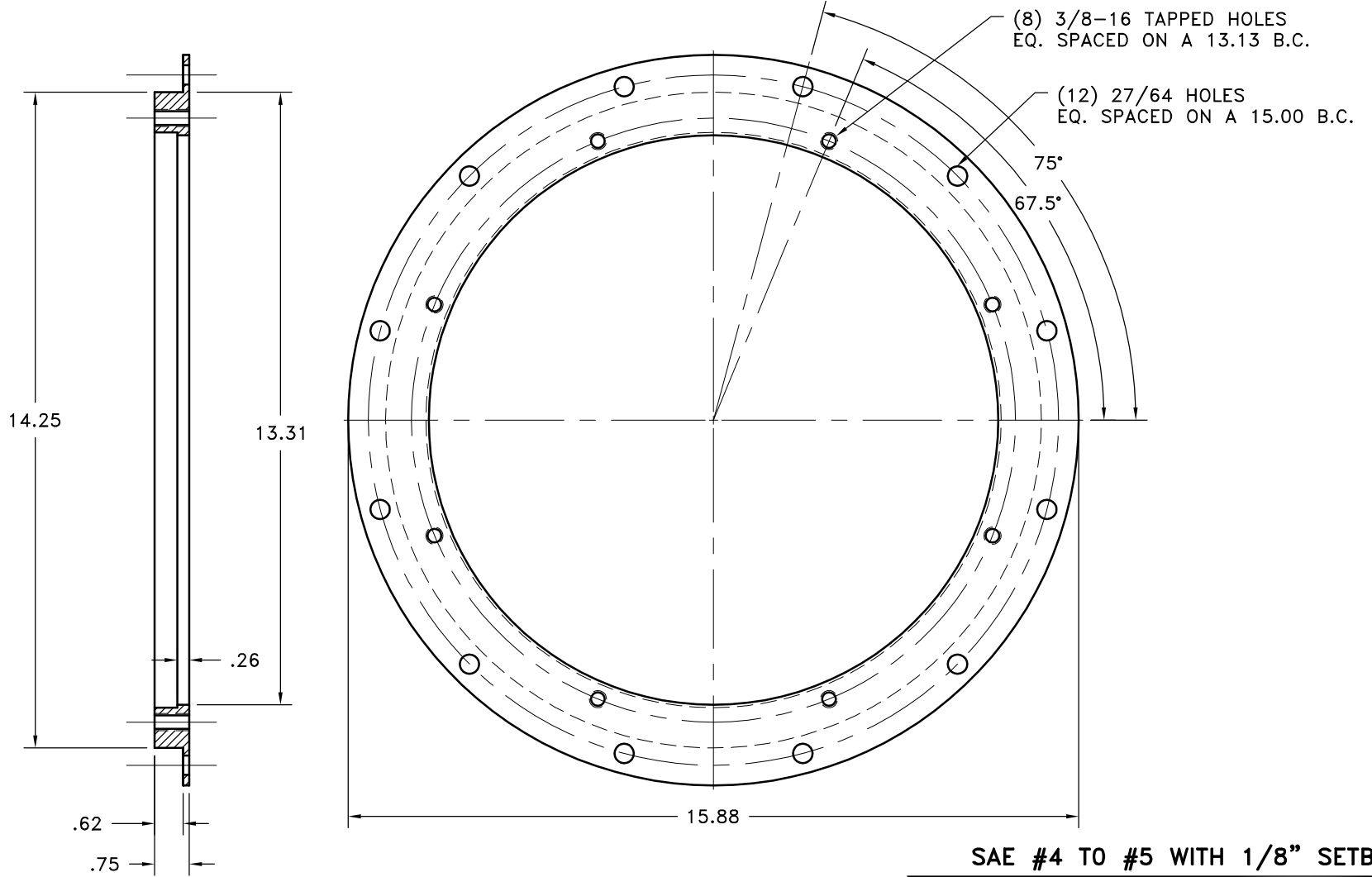


REV	DATE	CHANGE DESCRIPTION	MOD.BY	CK1	CK2



**SAE #4 TO #5 WITH 1/8" SETBACK**

THIS DRAWING IS THE PROPERTY OF HAYES MFG. INC. AND IS LOANED SUBJECT TO THE CONDITION THAT IT SHALL NOT BE REPRODUCED, COPIED, LOANED OR OTHERWISE DISPOSED OF, DIRECTLY OR INDIRECTLY. IT SHALL BE USED AS A MEANS OF REFERENCE TO WORK FURNISHED BY THIS COMPANY ONLY AND IS NOT TO BE SUBMITTED TO OUTSIDE PARTIES FOR EXAMINATION WITHOUT OUR CONSENT.

SYMBOLS	DET.	PART NUMBER	DESCRIPTION	QTY.
▭ FLATNESS — STRAIGHTNESS ∠ ANGULARITY ⊥ SQUARENESS ∥ PARALLELISM ⊙ CONCENTRICITY ⊕ TRUE POSITION ○ ROUNDNESS ⊖ CIRCULAR RUN OUT ⊖ TOTAL RUN OUT ⊖ CYLINDRICITY √ FINISH	DO NOT SCALE DRAWING TOLERANCES UNLESS OTHERWISE SPECIFIED 125 MAXIMUM ANGLE ±1/2° FRACTION ±1/32 DECIMAL .00 ±.01 .000 ±.005 .0000 ±.0005			
			TITLE	
			SAE HOUSING SPACER	
			MATERIAL	
			ALUMINUM	
			DRAWN BY	DATE
			SIETING	04-10-07
			CHECKED BY	SCALE
			RJH	
			DRAWING NO.	
			26-02303	
			SHEET OF REV.	

- UNLESS OTHERWISE SPECIFIED -  
REMOVE FIRST THREAD ON ALL TAPPED HOLES  
BREAK ALL SHARP CORNERS .010 TO .020 STAMP OR MARK DRAWING NO.

DRAWN BY  
SIETING  
CHECKED BY  
RJH

DATE  
04-10-07  
SCALE  
DRAWING NO.  
26-02303  
SHEET OF REV.