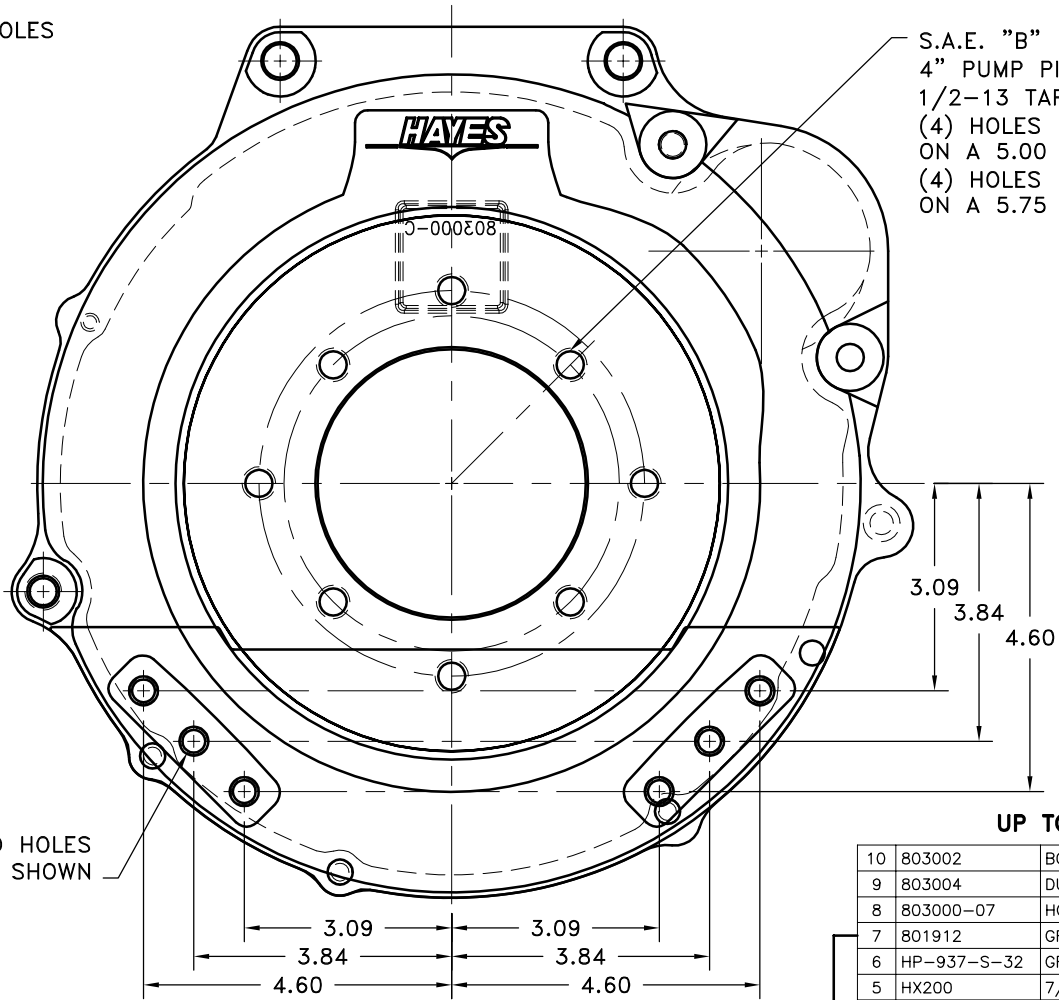
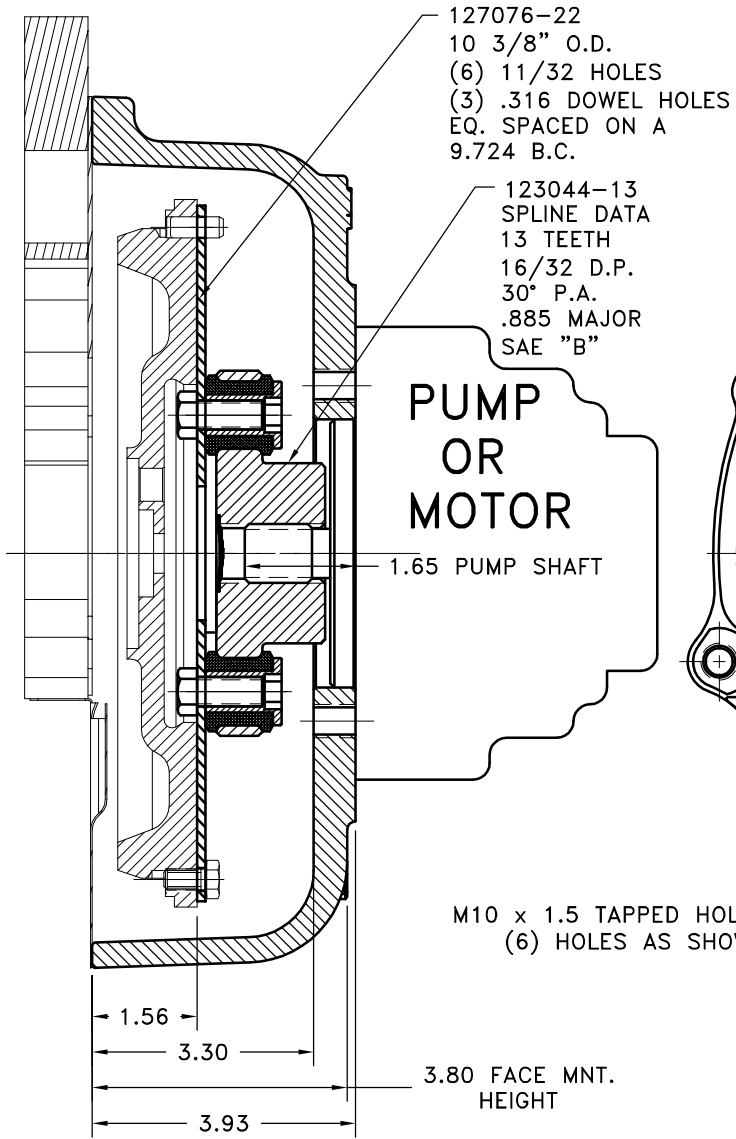


REV	DATE	CHANGE DESCRIPTION	MOD.BY	CK1	CK2
B	10/03/2006	CHANGED HOUSING P/N	ZS	ML	HM



UP TO 110 HP

QTY.	DESCRIPTION	PART NUMBER	DET.
1	BOLT KIT	803002	10
1	DUST COVER	803004	9
1	HOUSING	803000-07	8
1	GREASE	801912	7
1	GREASE PLUG	HP-937-S-32	6
6	7/16-20 x 1" HHB	HX200	5
6	NEOPRENE INSERT	H62500	4
6	THREADED BUSHING	123727	3
1	COUPLING HUB	123044-13	2
1	FLYWHEEL PLATE	127076-22	1

COUPLING ASS'Y #127869

SYMBOLS	DET.	PART NUMBER	DESCRIPTION	QTY.
▭ FLATNESS — STRAIGHTNESS ∠ ANGULARITY ⊥ SQUARENESS ∥ PARALLELISM ⊙ CONCENTRICITY ⊕ TRUE POSITION ○ ROUNDNESS ⊖ CIRCULAR RUN OUT ⊖ TOTAL RUN OUT ⊖ CYLINDRICITY √ FINISH	DO NOT SCALE DRAWING TOLERANCES UNLESS OTHERWISE SPECIFIED 125 MAXIMUM ANGLE ±1/2° FRACTION ±1/32 DECIMAL .00 ±.01 .000 ±.005 .0000 ±.0005			
- UNLESS OTHERWISE SPECIFIED - REMOVE FIRST THREAD ON ALL TAPPED HOLES BREAK ALL SHARP CORNERS .010 TO .020 STAMP OR MARK DRAWING NO.		DRAWN BY SIETING	DATE 04-12-05	DRAWING NO. 803003 SHEET OF REV.

THIS DRAWING IS THE PROPERTY OF HAYES MFG. INC. AND IS LOANED SUBJECT TO THE CONDITION THAT IT SHALL NOT BE REPRODUCED, COPIED, LOANED OR OTHERWISE DISPOSED OF, DIRECTLY OR INDIRECTLY. IT SHALL BE USED AS A MEANS OF REFERENCE TO WORK FURNISHED BY THIS COMPANY ONLY AND IS NOT TO BE SUBMITTED TO OUTSIDE PARTIES FOR EXAMINATION WITHOUT OUR CONSENT.