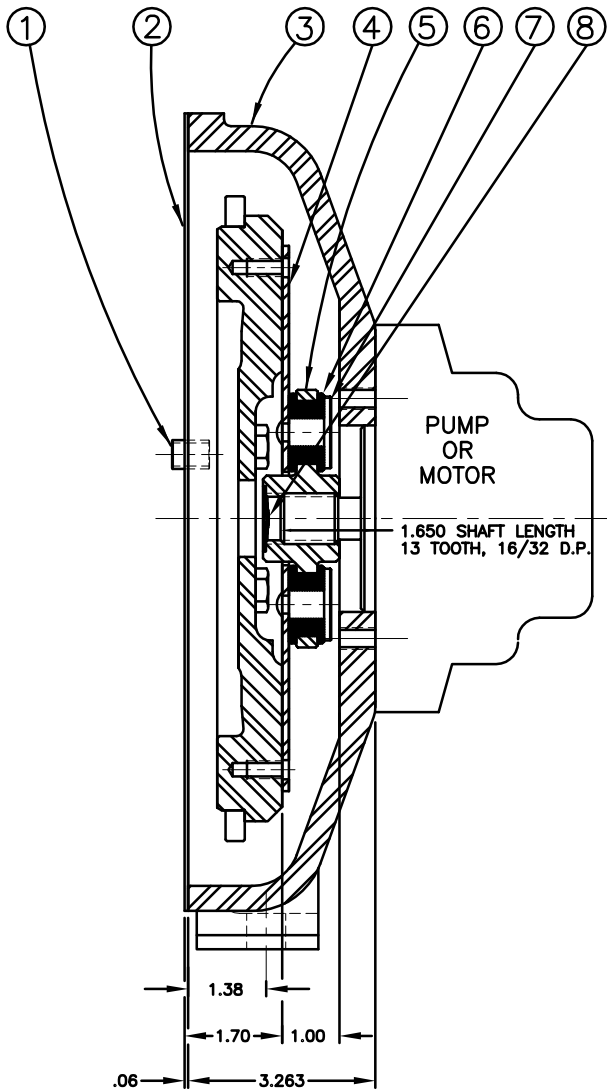
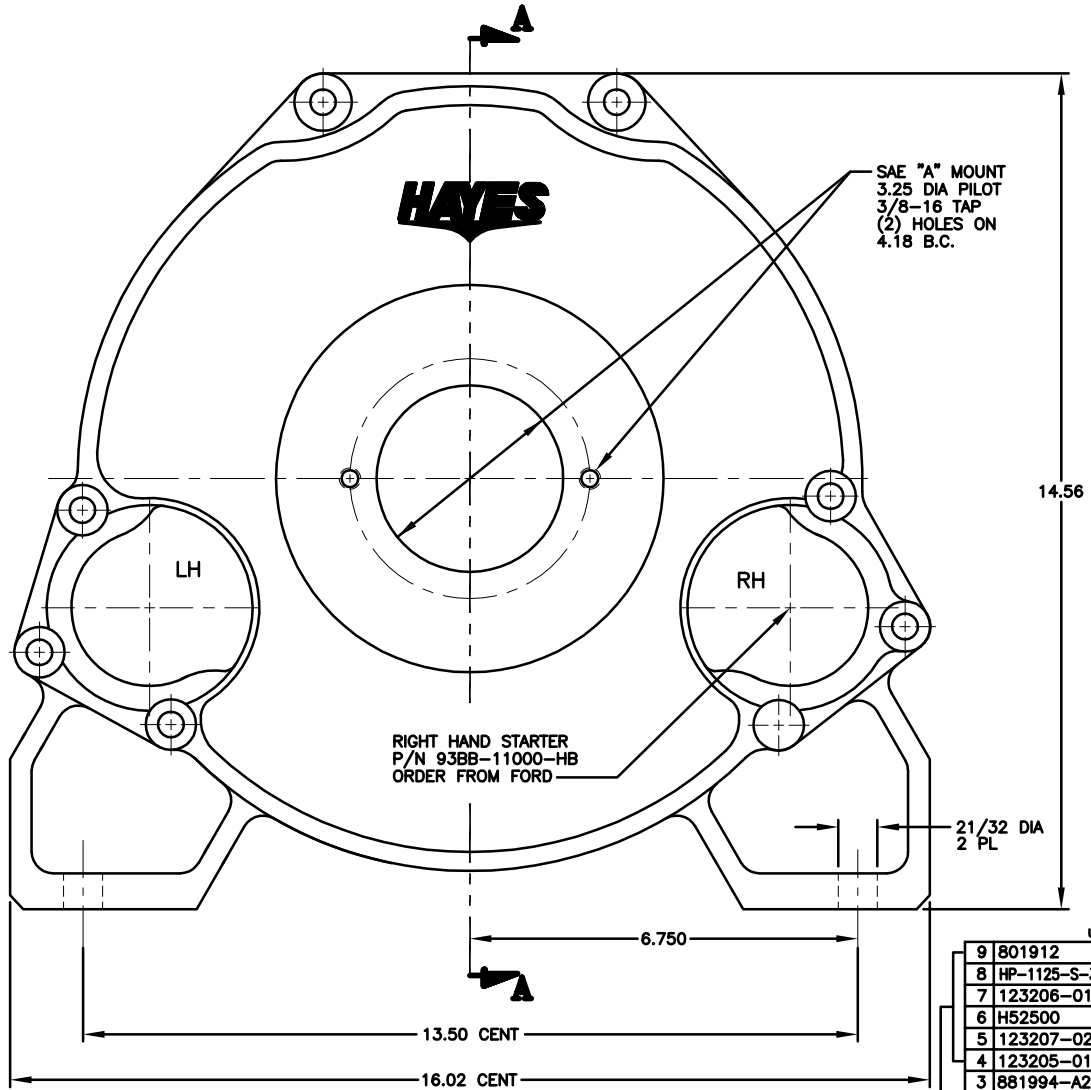


REV.	DATE	CHANGE DESCRIPTION	DRW.
A	11/64	ADDED P/N TO R/H STARTER	FR1



SECTION A~A



NOTE:

- HOUSING WILL FIT FORD ENGINE VSG-413, 4 CYLINDER, 1.3 LITER, (79 CID)
- USE FURNISHED TEXACO 1912 COUPLING GREASE ON BOTH MALE AND FEMALE SPLINE.
- CAUTION: WHEN INSTALLING PUMP ON ENGINE HOUSING BE CAREFUL BOLTS DO NOT EXTEND PAST INSIDE FACE OF HOUSING AND RUB ON COUPLING ASSEMBLY.

UP TO 50 H.P.			
QTY.	PART NUMBER	DESCRIPTION	QTY.
1	9 801912	GREASE	1
1	8 HP-1125-S-32	HUBBARD PLUG	1
6	7 123206-01	STEEL RIVET	6
6	6 H52500	NEOPRENE INSERT	6
1	5 123207-02	COUPLING HUB	1
1	4 123205-01	FLYWHEEL PLATE	1
1	3 881994-A2	ENGINE HOUSING	1
1	2 855136-RH	STARTER PLATE	1
2	1 70HM-6397-AA	DOWEL BUSHING	2

SYMBOLS FLANGES SPINDLES ANGULARITY SQUARENESS PARALLELISM CONCENTRICITY TAPER POSITION IRREGULARITY LOC. SURFACE ROUNDNESS RUN OUT FINISH	DET. PART NUMBER DESCRIPTION QTY. DO NOT SCALE DRAWING TOLERANCES UNLESS OTHERWISE SPECIFIED HOLE SIZE FRACTION 1/32 DECIMAL .0005 .0010 .0015 .0020 .0030 .0040 .0050 .0060 .0070 .0080 .0090 .0100		TITLE HOUSING & COUPLING ASS'Y MATERIAL	DRAWN BY LANNEN DATE 3-30-94 CHECKED BY FULL SCALE	DRAWING NO. 866707 SHEET OF 1
	UNLESS OTHERWISE SPECIFIED - FINISH: FREE SURFACE OR ALL DIMENSIONS UNLESS OTHERWISE SPECIFIED STAMP OR MARK DRAWING NO.		DRAWN BY LANNEN DATE 3-30-94 CHECKED BY FULL SCALE	DRAWING NO. 866707 SHEET OF 1	

THIS DRAWING IS THE PROPERTY OF HAYES MFG. INC. AND IS LOANED SUBJECT TO THE CONDITION THAT IT SHALL NOT BE REPRODUCED, COPIED, LOANED OR OTHERWISE DISPOSED OF, DIRECTLY OR INDIRECTLY, WITHOUT THE WRITTEN PERMISSION OF HAYES MFG. INC. IT SHALL BE USED AS A GUIDE OF REFERENCE TO THE COMPANY ONLY AND IS NOT TO BE SUBMITTED TO OUTSIDE PARTIES FOR EXAMINATION WITHOUT OUR CONSENT.