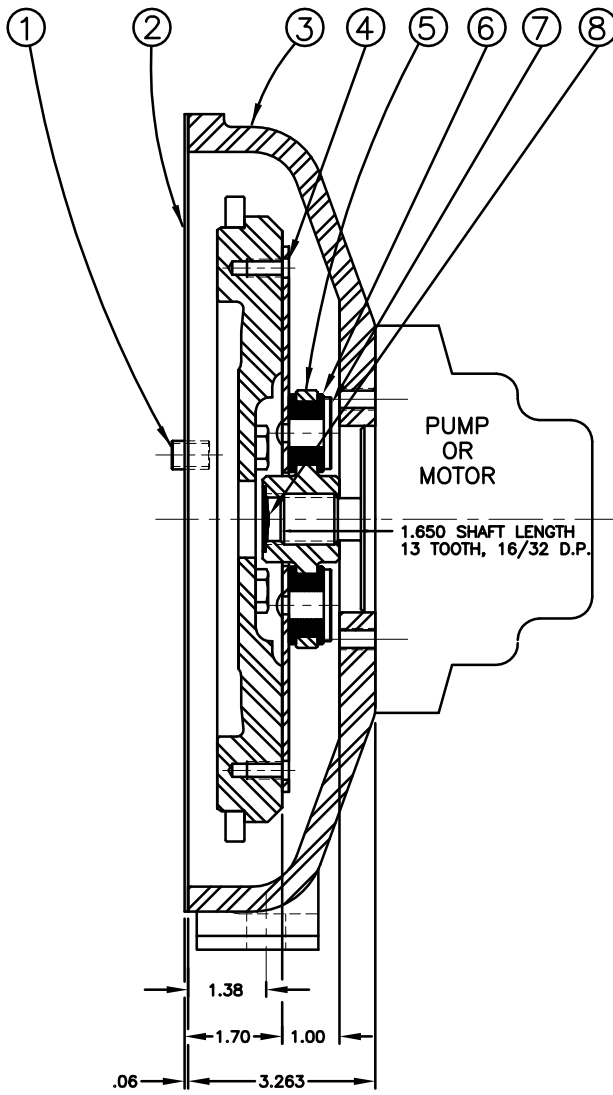
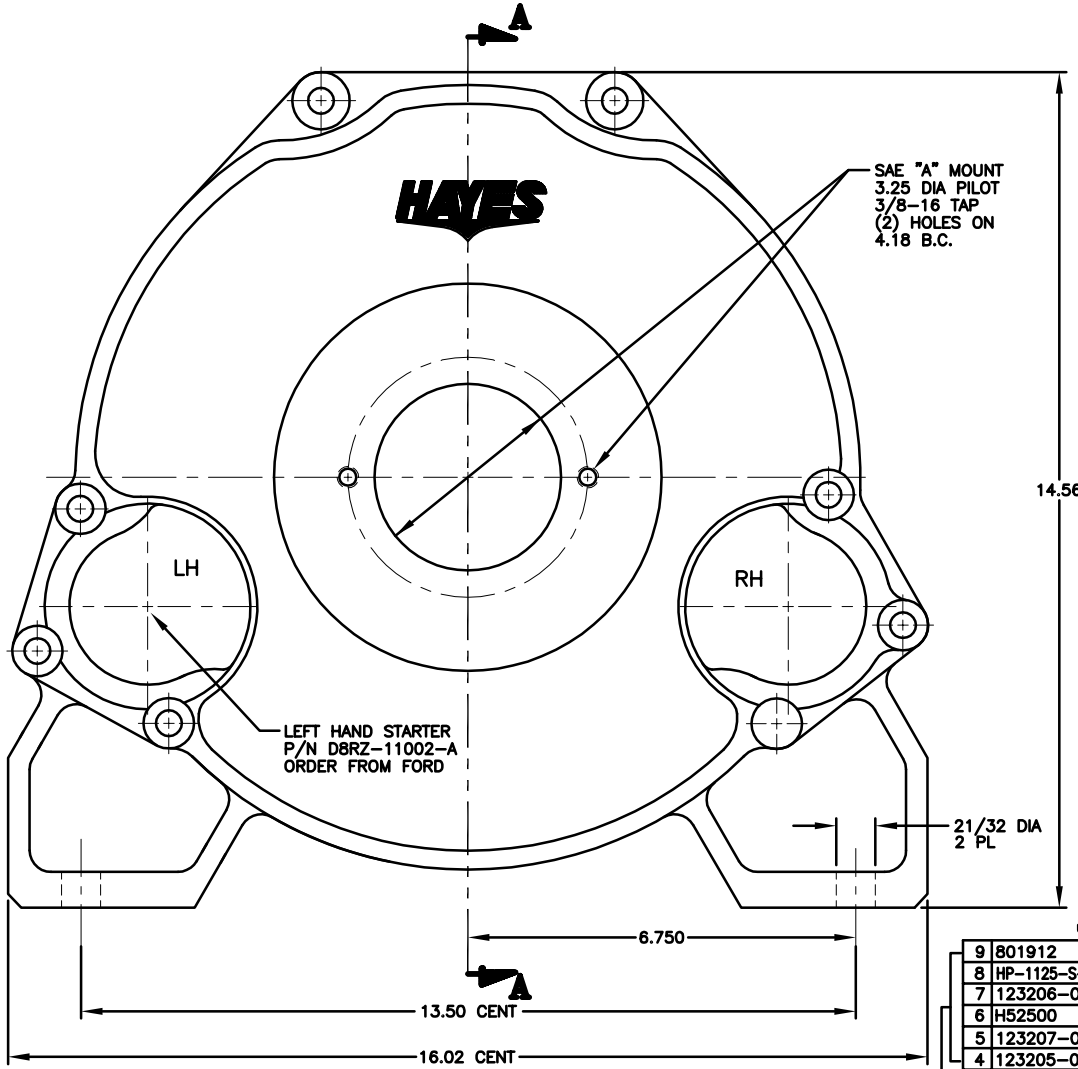


QTY.	DATE	CHANGED DESCRIPTION	DRW.



SECTION A~A



COUPLING ASSY #123340-13

ORDER FROM FORD

UP TO 50 H.P.		
QTY.	PART NUMBER	DESCRIPTION
1	9 801912	GREASE
1	8 HP-1125-S-32	HUBBARD PLUG
6	7 123206-01	STEEL RIVET
6	6 H52500	NEOPRENE INSERT
1	5 123207-02	COUPLING HUB
1	4 123205-01	FLYWHEEL PLATE
1	3 881994-A2	ENGINE HOUSING
1	2 855265-LH	STARTER PLATE
2	1 70HM-6397-AA	DOWEL BUSHING

NOTE:

- HOUSING WILL FIT FORD ENGINE VSG-413, 4 CYLINDER, 1.3 LITER, (79 CID)
- USE FURNISHED TEXACO 1912 COUPLING GREASE ON BOTH MALE AND FEMALE SPLINE.
- CAUTION: WHEN INSTALLING PUMP ON ENGINE HOUSING BE CAREFUL BOLTS DO NOT EXTEND PAST INSIDE FACE OF HOUSING AND RUB ON COUPLING ASSEMBLY.

SYMBOLS FLANGES STRAIGHTNESS ANGULARITY SQUARENESS PARALLELISM COINCIDENCY TRUE POSITION SURFACE LOC. SURFACE ROUNDNESS RISE CUT FINISH	DET. PART NUMBER DESCRIPTION QTY. DO NOT SCALE DRAWING TOLERANCES UNLESS OTHERWISE SPECIFIED UNLESS OTHERWISE SPECIFIED - DIMENSIONS ARE IN INCHES DECIMALS .0000 .0005 .0010 .0015 .0020 .0030 .0040 .0050 .0060 .0070 .0080 .0090 .0100 FRACTIONS 1/32 1/16 3/32 1/8 5/16 3/8 1/2 5/8 3/4 7/8 1	
	TITLE HOUSING & COUPLING ASSY DRAWN BY LANNEN 6-4-92 DATE 6-4-92 CHECKED BY SCALE FULL DRAWING NO. 866708 SHEET OF 1	

THIS DRAWING IS THE PROPERTY OF HAYES MFG. CO. AND IS LOANED TO THE CUSTOMER FOR HIS USE ONLY. IT SHALL NOT BE REPRODUCED, COPIED, LOANED OR OTHERWISE DISPOSED OF DIRECTLY OR INDIRECTLY WITHOUT THE WRITTEN PERMISSION OF HAYES MFG. CO. ANY SUCH VIOLATION SHALL BE SUBJECT TO OUTSIDE PROSECUTION WITHOUT OUR CONSENT.