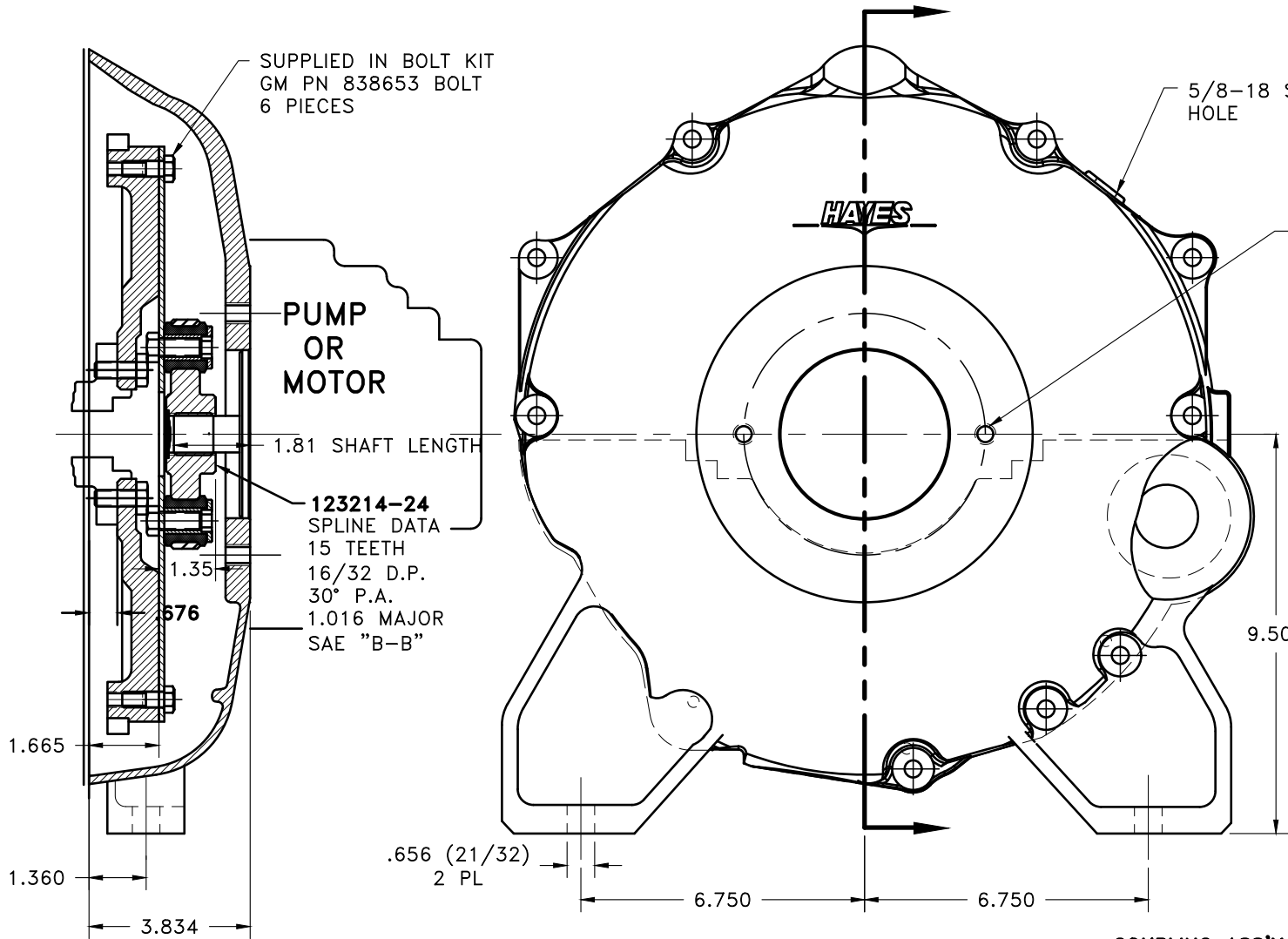


REV	DATE	CHANGE DESCRIPTION	MOD.BY	CK1	CK2
A1	06/18/2009	ADDED SENSOR HOLE TO PRINT	ZS	RJH	HM



890000-03
SAE "B" 2-BOLT MOUNT
4.00 DIA PUMP PILOT
(2) 1/2-13 TAPPED HOLES
EQ. SPACED ON 5.75 B.C.

UP TO 110 HP

QTY.	PART NUMBER	DESCRIPTION
1	890007	DUST COVER
1	890036	BOLT KIT (PRE-ASSEMBLED)
1	890000-03	HOUSING
1	801912	GREASE
1	HP-1125-S-32	HUBBARD PLUG
6	7/16-20x1 HHB Y D	BOLT
6	123727	THREADED BUSHING
6	H62500	NEOPRENE INSERT
1	123214-24	COUPLING HUB
1	126151-02	FLYWHEEL PLATE

NOTE:

1. USE FURNISHED COUPLING GREASE ON BOTH MALE & FEMALE SPLINES.
2. CAUTION: WHEN INSTALLING PUMP ON ENGINE HOUSING BE CAREFUL BOLTS DO NOT EXTEND PAST INSIDE FACE OF HOUSING AND RUB ON COUPLING ASS'Y.

SYMBOLS	DET.	PART NUMBER	DESCRIPTION	QTY.
<ul style="list-style-type: none"> — FLATNESS — STRAIGHTNESS — ANGULARITY — PERPENDICULARITY — PARALLELISM — CONCENTRICITY — TRUE POSITION — ROUNDNESS — CIRCULAR RUN OUT — TOTAL RUN OUT — CYLINDRICITY — FINISH 	DO NOT SCALE DRAWING			
	TOLERANCES UNLESS OTHERWISE SPECIFIED			
	MAXIMUM			
	ANGLE ±1/2'			
	FRACTION ±1/32			
	DECIMAL			
	.00 ±.01			
	.000 ±.005			
	.0000 ±.0005			
CLASS	MAKE: <input type="checkbox"/> BUY: <input type="checkbox"/>	DRAWN BY	DATE	DRAWING NO.
DESCRIPTION		LAWSON	6-3-08	890037
		CHECKED BY	SCALE	SHEET OF REV.
		RJH		9 OF 9



TITLE
GM HOUSING & FLYWHEEL COUPLING ASS'Y

GM 3.0 LITRE

THIS DRAWING IS THE PROPERTY OF HAYES MFG. INC. AND IS LOANED SUBJECT TO THE CONDITION THAT IT SHALL NOT BE REPRODUCED, COPIED, LOANED OR OTHERWISE DISPOSED OF, DIRECTLY OR INDIRECTLY. IT SHALL BE USED AS A MEANS OF REFERENCE TO WORK FURNISHED BY THIS COMPANY ONLY AND IS NOT TO BE SUBMITTED TO OUTSIDE PARTIES FOR EXAMINATION WITHOUT OUR CONSENT.