

REV	DATE	CHANGE DESCRIPTION	MOD.BY	CK1	CK2
A	12/21/2005	CHANGED HUB TO 123378-06	ZS	ML	HM

HOUSING # 891200-01  
 SAE "B" 2/4 BOLT  
 4" PUMP PILOT  
 (2) 1/2-13 TAPPED HOLES  
 EQ. SPACED ON A 5.75 B.C.  
 (4) 1/2-13 TAPPED HOLES  
 EQ. SPACED ON A 5.00 B.C.

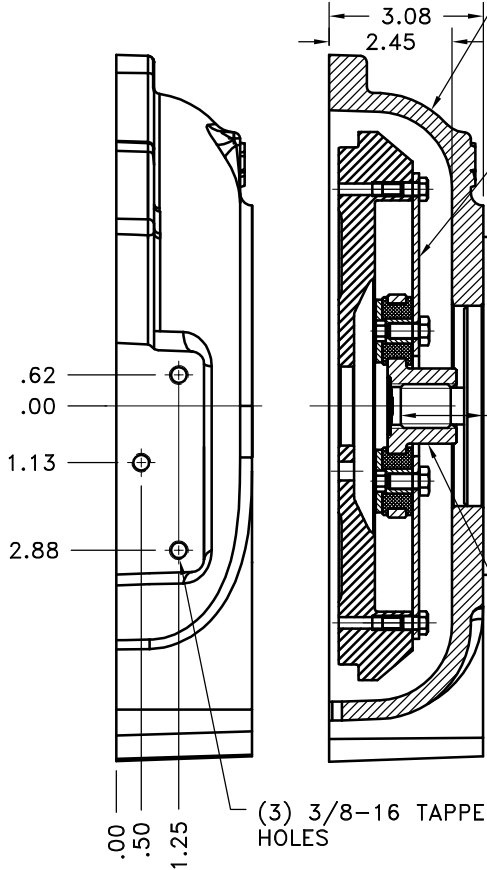
126217  
 9.500 O.D. (REF.)  
 (6) .2850 HOLES  
 ON 8.661 B.C.

PUMP  
 OR  
 MOTOR

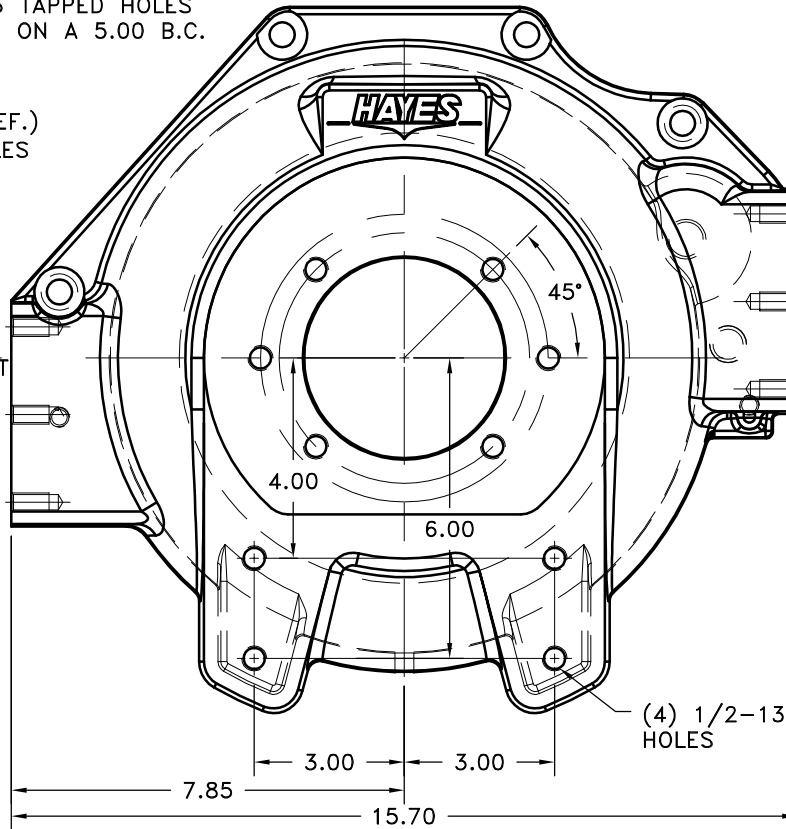
1.65 PUMP SHAFT

123378-06  
 SPLINE DATA  
 13 TEETH  
 16/32 D.P.  
 30° P.A.  
 .885 MAJOR  
 SAE "B"

(3) 3/8-16 TAPPED  
 HOLES

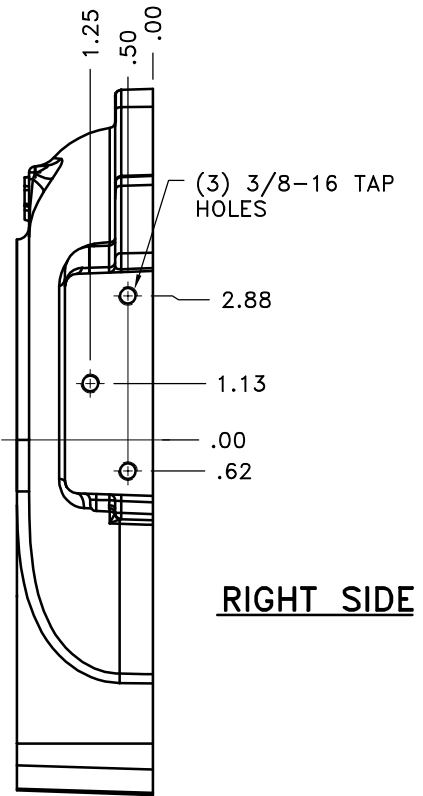


LEFT SIDE



FRONT

COUPLING ASSY #127789



RIGHT SIDE

10	891202	DUST COVER	1
9	891203	BOLT KIT	1
8	891200-01	HOUSING	1
7	801912	GREASE	1
6	HP-1125-S-32	HUBBARD PLUG	1
5	HX100	5/16-24x5/8 H.H.B.	6
4	H52500	NEOPRENE INSERT	6
3	123729-01	THREADED BUSHING	6
2	123378-06	COUPLING HUB	1
1	126217	FLYWHEEL PLATE	1

SYMBOLS	DET.	PART NUMBER	DESCRIPTION	QTY.
▭ FLATNESS ▭ STRAIGHTNESS ▭ ANGULARITY ▭ SQUARENESS ▭ PARALLELISM ⊙ CONCENTRICITY ⊕ TRUE POSITION ○ ROUNDNESS ⊖ CIRCULAR RUN OUT ⊖ TOTAL RUN OUT ⊖ CYLINDRICITY ▭ FINISH	DO NOT SCALE DRAWING TOLERANCES UNLESS OTHERWISE SPECIFIED 12/31 MAXIMUM ANGLE ±1/2° FRACTION ±1/32 DECIMAL .00 ±.01 .000 ±.005 .0000 ±.0005			
- UNLESS OTHERWISE SPECIFIED - REMOVE FIRST THREAD ON ALL TAPPED HOLES BREAK ALL SHARP CORNERS .010 TO .020 STAMP OR MARK DRAWING NO.		TITLE <b>GM 1.6 HOUSING/COUPLING ASSEMBLY</b> MATERIAL	DRAWN BY SIETING	DATE 12-20-04
		DRAWING NO. <b>891201</b>	CHECKED BY SCALE	SHEET OF REV.

THIS DRAWING IS THE PROPERTY OF HAYES MFG. INC. AND IS LOANED SUBJECT TO THE CONDITION THAT IT SHALL NOT BE REPRODUCED, COPIED, LOANED OR OTHERWISE DISPOSED OF, DIRECTLY OR INDIRECTLY. IT SHALL BE USED AS A MEANS OF REFERENCE TO WORK FURNISHED BY THIS COMPANY ONLY AND IS NOT TO BE SUBMITTED TO OUTSIDE PARTIES FOR EXAMINATION WITHOUT OUR CONSENT.

GM 1.6 LITRE