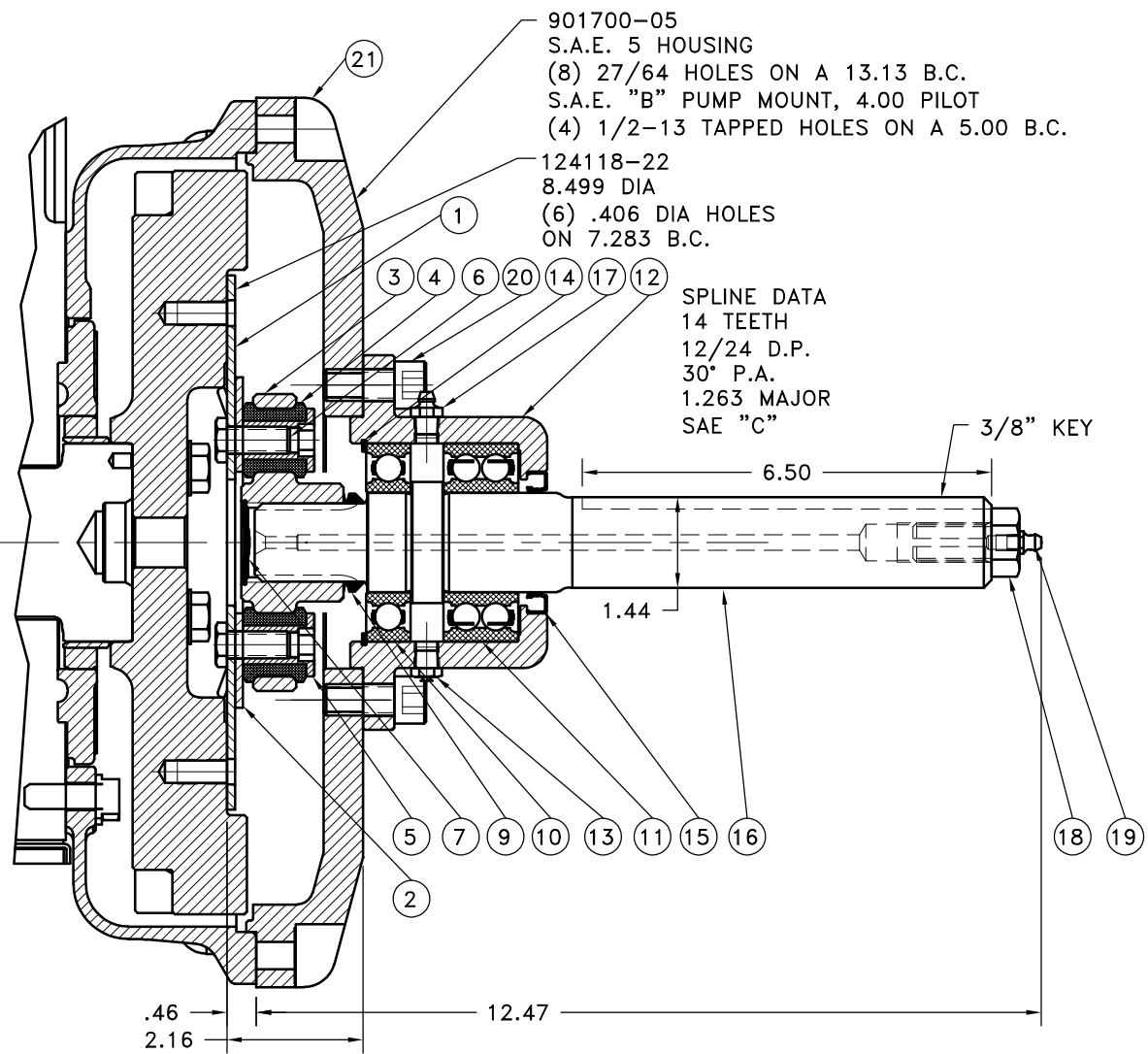


REV	DATE	CHANGE DESCRIPTION	MOD. BY	CK1	CK2
A	08/01/2016	CHANGED SEAL	BSL		



901700-05
S.A.E. 5 HOUSING
(8) 27/64 HOLES ON A 13.13 B.C.
S.A.E. "B" PUMP MOUNT, 4.00 PILOT
(4) 1/2-13 TAPPED HOLES ON A 5.00 B.C.

124118-22
8.499 DIA
(6) .406 DIA HOLES
ON 7.283 B.C.

SPLINE DATA
14 TEETH
12/24 D.P.
30° P.A.
1.263 MAJOR
SAE "C"

SUB-ASS'Y #131265

SUB-ASS'Y #128803

REV	DATE	CHANGE DESCRIPTION	MOD. BY	CK1	CK2
21		901700-05 HOUSING [5]			1
20		BOLT 1/2-13x1-1/8 SHCS D			4
19		609000 GREASE ZERK			1
18		125294 5/8-11 HHB			1
17		1093K11 RELIEF VALVE			1
16		129904 SPLINE SHAFT			1
15		132015 SEAL			1
14		RR-314 SNAP RING			1
13		600000 GREASE ZERK			1
12		125007 BEARING HOUSING			1
11		5208WD DOUBLE BEARING			1
10		208KO BEARING			1
9		VS-032 V-RING			1
8		801912 GREASE			1
7		R-0017-01 HUBBARD PLUG			1
6		HX210 SPEC. 7/16-20 x 1" HHB YD			6
5		123727 THREADED BUSHING			6
4		H62500 NEOPRENE INSERT			6
3		124106-01 COUPLING HUB			1
2		128142 BACKING PLATE			1
1		124118-22 FLYWHEEL PLATE			1

FITS KUBOTA 2403-M & D1803M
FITS FLYWHEEL #1G850-25013
AND HOUSING #1G850-04613 OR
SIMILAR PARTS.

THIS DRAWING IS THE PROPERTY OF HAYES MFG. INC. AND IS LOANED SUBJECT TO THE CONDITION THAT IT SHALL NOT BE REPRODUCED, COPIED, LOANED OR OTHERWISE DISPOSED OF, DIRECTLY OR INDIRECTLY. IT SHALL BE USED AS A MEANS OF REFERENCE TO WORK FURNISHED BY THIS COMPANY ONLY AND IS NOT TO BE SUBMITTED TO OUTSIDE PARTIES FOR EXAMINATION WITHOUT OUR CONSENT.

SYMBOLS	DET.	PART NUMBER	DESCRIPTION	QTY.
▱ FLATNESS — STRAIGHTNESS ∠ ANGULARITY ⊥ PERPENDICULARITY ∥ PARALLELISM ⊙ CONCENTRICITY ⊕ TRUE POSITION ○ ROUNDNESS Ⓢ CIRCULAR RUN OUT Ⓣ TOTAL RUN OUT Ⓜ CYLINDRICITY ✓ FINISH	DO NOT SCALE DRAWING TOLERANCES UNLESS OTHERWISE SPECIFIED 125 MAXIMUM ANGLE ±1/2° FRACTION ±1/32 DECIMAL .00 ±.01 .000 ±.005 .0000 ±.0005			
CLASS: MAKE: <input type="checkbox"/> BUY: <input type="checkbox"/>		TITLE: FLYWHEEL COUPLING ASSY WITH PUMP MOUNT PLATE MATERIAL:		
DESCRIPTION:		DRAWN BY: SIETING CHECKED BY: RJH	DATE: 12-11-2012 SCALE:	DRAWING NO.: 901718 SHEET OF REV.