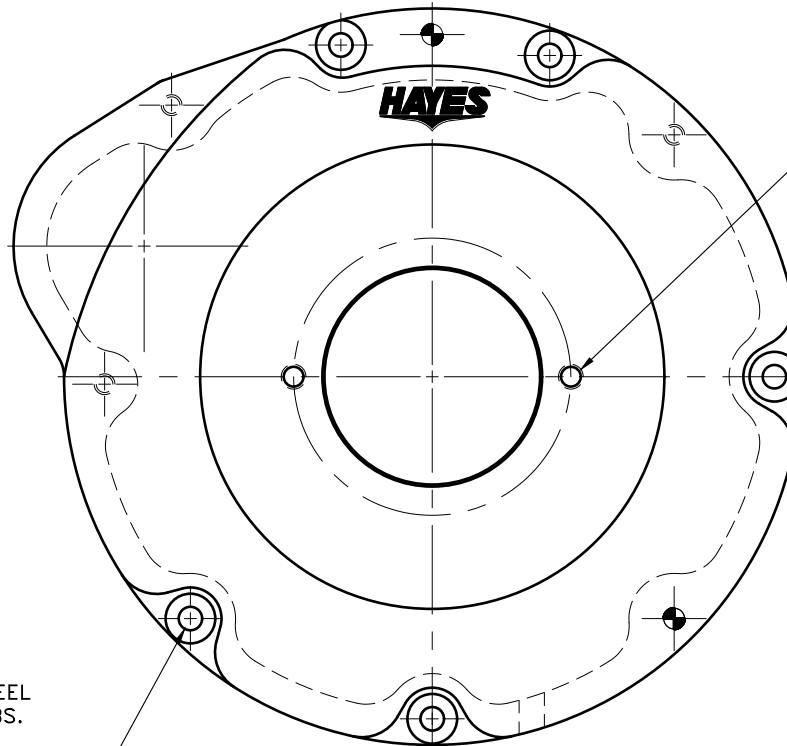
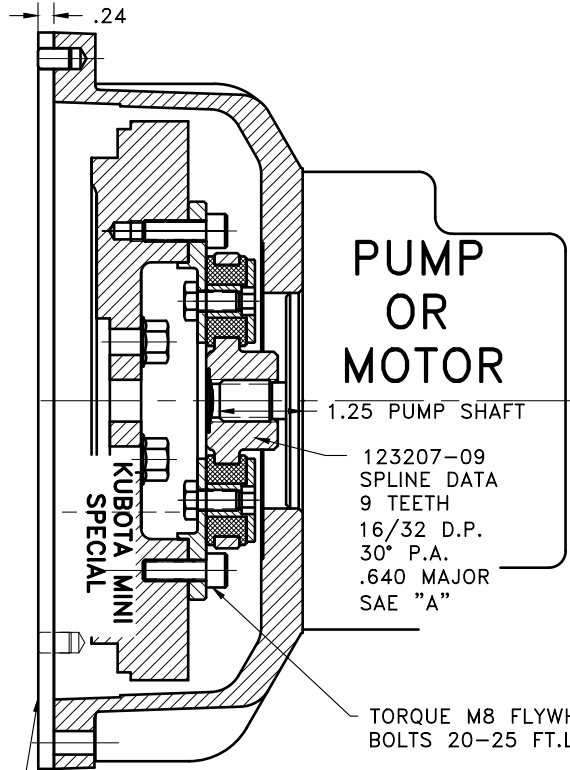


SPECIAL FOR D902

REV	DATE	CHANGE DESCRIPTION	MOD.BY	CK1	CK2
A	10/22/2015	972000 WAS 930112	BSL		



SAE "A" 2-BOLT MOUNT
3.25 DIA PUMP PILOT
(2) 3/8-16 TAPPED HOLES
EQ. SPACED ON 4.18 B.C.

TORQUE M8 FLYWHEEL BOLTS 20-25 FT.LBS.

TORQUE M8 HOUSING BOLTS 20-25 FT.LBS

UP TO 20 HP

KUBOTA STATER PLATE
#1G960-04621

INSTALL

COUPLING ASS'Y
#127692

DET.	PART NUMBER	DESCRIPTION	QTY.
10	930100-01	HOUSING	1
9	972000	BOLT KIT (PRE-ASSEMBLED)	1
8	DOWEL	SD200x5/16x1/2 DOWEL PIN	2
7	801912	GREASE	1
6	HP-937-S-32	HUBBARD PLUG	1
5	BOLT	5/16-24x5/8 HHB Y D	3
4	123729-01	THREADED BUSHING	3
3	H52500	NEOPRENE INSERT	3
2	123207-09	COUPLING HUB	1
1	127581	FLYWHEEL PLATE	1

NOTES:

1. HOUSING FOR KUBOTA ENGINES D902
2. USE FURNISHED COUPLING GREASE ON BOTH MALE AND FEMALE SPLINE.

THIS DRAWING IS THE PROPERTY OF HAYES MFG. INC. AND IS LOANED SUBJECT TO THE CONDITION THAT IT SHALL NOT BE REPRODUCED, COPIED, LOANED OR OTHERWISE DISPOSED OF, DIRECTLY OR INDIRECTLY. IT SHALL BE USED AS A MEANS OF REFERENCE TO WORK FURNISHED BY THIS COMPANY ONLY AND IS NOT TO BE SUBMITTED TO OUTSIDE PARTIES FOR EXAMINATION WITHOUT OUR CONSENT.

SYMBOLS		DET.	PART NUMBER	DESCRIPTION	QTY.
	FLATNESS	DO NOT SCALE DRAWING			
	STRAIGHTNESS	TOLERANCES UNLESS OTHERWISE SPECIFIED			
	ANGULARITY	1/32 MAXIMUM			
	PERPENDICULARITY	ANGLE ±1/2°			
	PARALLELISM	FRACTION ±1/32			
	CONCENTRICITY	DECIMAL .00 ±.01			
	TRUE POSITION	TOTAL RUN OUT .000 ±.005			
	ROUNDNESS	CYLINDRICITY .0000 ±.0005			
	CIRCULAR RUN OUT	FINISH			
	TOTAL RUN OUT				
	CYLINDRICITY				
	FINISH				

HAYES
MANUFACTURING INC. ®

TITLE
KUBOTA MINI SERIES HOUSING & FLYWHEEL COUPLING ASSY

MATERIAL

CLASS KUBOTA	MAKE: <input checked="" type="checkbox"/> BUY: <input type="checkbox"/>	DRAWN BY SIETING	DATE 09-19-06	DRAWING NO. 902505
DESCRIPTION KB902,9T16/32,A2,20		CHECKED BY R/JH	SCALE	SHEET OF REV.