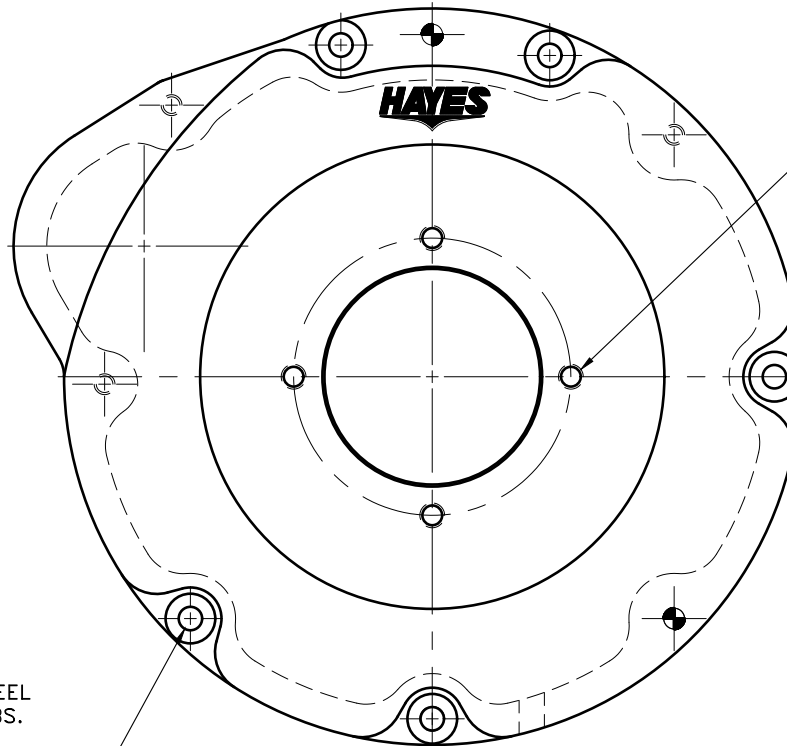
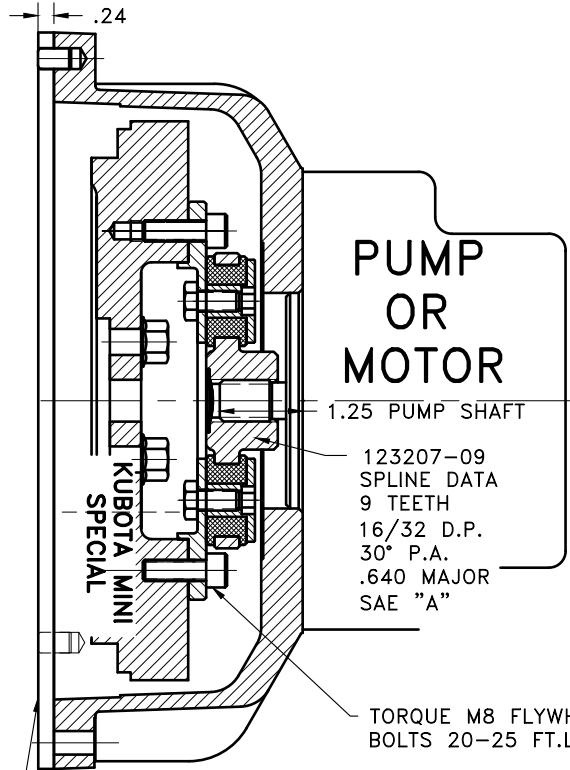


**SPECIAL FOR D902**

REV	DATE	CHANGE DESCRIPTION	MOD.BY	CK1	CK2



SAE "A" 2-BOLT MOUNT  
3.25 DIA PUMP PILOT  
(4) 3/8-16 TAPPED HOLES  
EQ. SPACED ON 4.18 B.C.

**PUMP  
OR  
MOTOR**

1.25 PUMP SHAFT

123207-09  
SPLINE DATA  
9 TEETH  
16/32 D.P.  
30° P.A.  
.640 MAJOR  
SAE "A"

KUBOTA MINI  
SPECIAL

TORQUE M8 FLYWHEEL  
BOLTS 20-25 FT.LBS.

TORQUE M8 HOUSING  
BOLTS 13-15 FT.LBS

**UP TO 20 HP**

KUBOTA STATER PLATE  
#1G960-04621

INSTALL

COUPLING ASS'Y  
#127692

10	930100-09	HOUSING	1
9	930112	BOLT KIT (PRE-ASSEMBLED)	1
8	DOWEL	SD200x5/16x1/2 DOWEL PIN	2
7	801912	GREASE	1
6	HP-937-S-32	HUBBARD PLUG	1
5	BOLT	5/16-24x5/8 HHB Y D	3
4	123729-01	THREADED BUSHING	3
3	H52500	NEOPRENE INSERT	3
2	123207-09	COUPLING HUB	1
1	127581	FLYWHEEL PLATE	1

**NOTES:**

1. HOUSING FOR KUBOTA ENGINES D902
2. USE FURNISHED COUPLING GREASE ON BOTH MALE AND FEMALE SPLINE.

THIS DRAWING IS THE PROPERTY OF HAYES MFG. INC. AND IS LOANED SUBJECT TO THE CONDITION THAT IT SHALL NOT BE REPRODUCED, COPIED, LOANED OR OTHERWISE DISPOSED OF, DIRECTLY OR INDIRECTLY. IT SHALL BE USED AS A MEANS OF REFERENCE TO WORK FURNISHED BY THIS COMPANY ONLY AND IS NOT TO BE SUBMITTED TO OUTSIDE PARTIES FOR EXAMINATION WITHOUT OUR CONSENT.

SYMBOLS		DET.	PART NUMBER	DESCRIPTION	QTY.
≡	FLATNESS	DO NOT SCALE			
—	STRAIGHTNESS	DRAWING			
∠	ANGULARITY	TOLERANCES UNLESS OTHERWISE SPECIFIED			
⊥	PERPENDICULARITY	1/32			
∥	PARALLELISM	ANGLE ±1/2°			
⊙	CONCENTRICITY	FRACTION ±1/32			
⊕	TRUE POSITION	DECIMAL			
⊘	ROUNDNESS	.00 ±.01			
⊘	CIRCULAR RUN OUT	.000 ±.005			
⊘	TOTAL RUN OUT	.0000 ±.0005			
⊘	CYLINDRICITY				
✓	FINISH				

**HAYES**  
MANUFACTURING INC. ®

TITLE <b>KUBOTA MINI 902 PUMP DRIVE KIT</b>		DRAWING NO. <b>902553</b>	
MATERIAL		SHEET OF REV.	
CLASS <b>KUBOTA</b>	MAKE: <input checked="" type="checkbox"/> BUY: <input type="checkbox"/>	DRAWN BY SIETING	DATE 07-07-2015
DESCRIPTION KB902,9T16/32,A22,20		CHECKED BY	SCALE