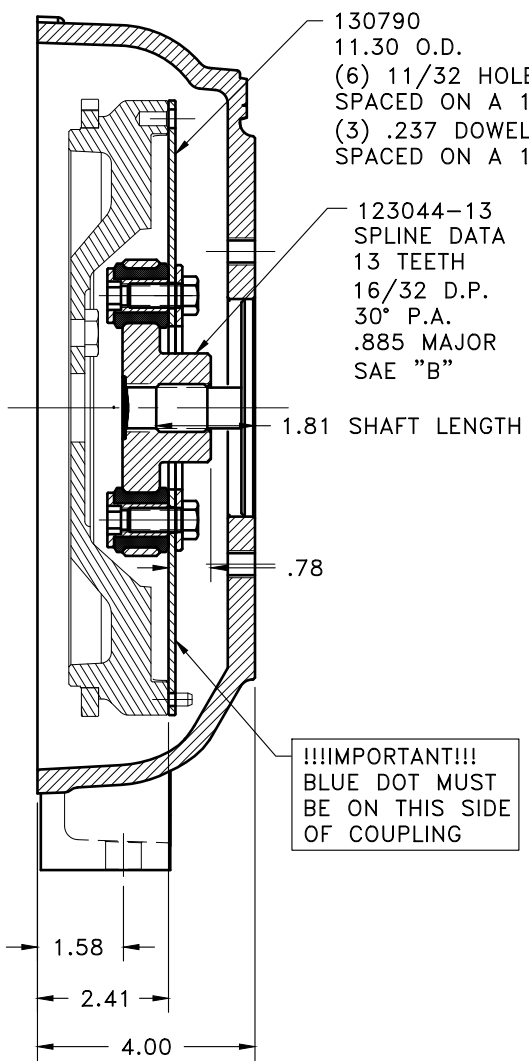
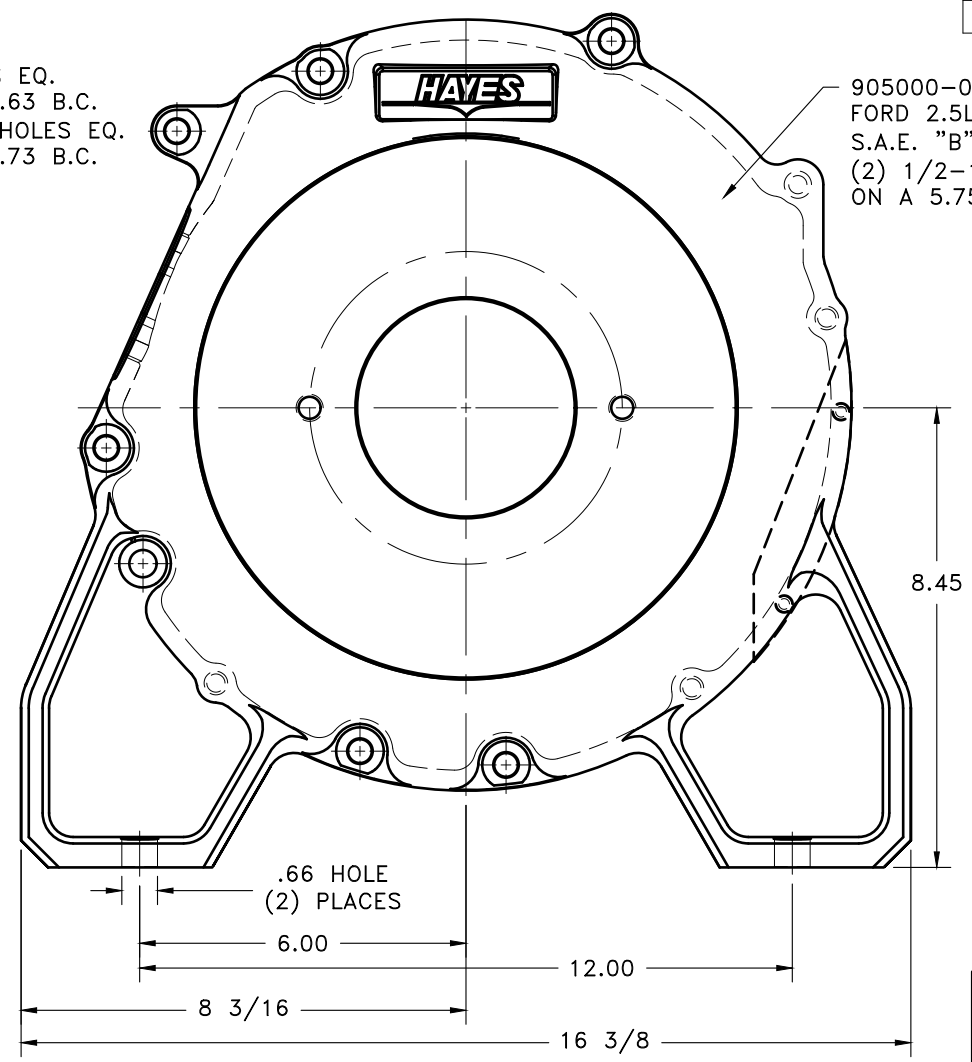


REV	DATE	CHANGE DESCRIPTION	MOD.BY	CK1	CK2



!!!IMPORTANT!!!
BLUE DOT MUST
BE ON THIS SIDE
OF COUPLING



COUPLING ASS'Y #131470

UP TO 110 HP

QTY.	DESCRIPTION	PART NUMBER
1	BOLT KIT (PRE-ASSEMBLED)	905002
1	HOUSING [B2]	905000-01
1	GREASE	801912
1	GREASE PLUG	HP-1125-S-32
6	THREADED BUSHING	123727
6	7/16-20x1 HHB Y D BOLT	5
6	NEOPRENE INSERT	H62500
1	COUPLING HUB [13T 16/32]	123044-13
1	BACKING PLATE	124623
1	FLYWHEEL PLATE	130790

FORD 2.5L

THIS DRAWING IS THE PROPERTY OF HAYES MFG. INC. AND IS LOANED SUBJECT TO THE CONDITION THAT IT SHALL NOT BE REPRODUCED, COPIED, LOANED OR OTHERWISE DISPOSED OF, DIRECTLY OR INDIRECTLY. IT SHALL BE USED AS A MEANS OF REFERENCE TO WORK FURNISHED BY THIS COMPANY ONLY AND IS NOT TO BE SUBMITTED TO OUTSIDE PARTIES FOR EXAMINATION WITHOUT OUR CONSENT.

SYMBOLS	DET.	PART NUMBER	DESCRIPTION	QTY.
▭ FLATNESS ▭ STRAIGHTNESS ▭ ANGULARITY ▭ PERPENDICULARITY ▭ PARALLELISM ⊙ CONCENTRICITY ⊕ TRUE POSITION ○ ROUNDNESS ⊖ CIRCULAR RUN OUT ⊖ TOTAL RUN OUT ⌀ CYLINDRICITY ✕ FINISH	DO NOT SCALE DRAWING TOLERANCES UNLESS OTHERWISE SPECIFIED 1/32" MAXIMUM ANGLE ±1/2' FRACTION ±1/32 DECIMAL .00 ±.01 .0000 ±.0005			
CLASS FORD	MAKE: <input checked="" type="checkbox"/> BUY: <input type="checkbox"/>	DRAWN BY KNH	DATE 04/29/2014	DRAWING NO. 905026
DESCRIPTION FRD25,13T16/32,B2,110	CHECKED BY RJH	SCALE	SHEET OF REV.	MATERIAL FRD25 FLYWHEEL COUPLING ASSEMBLY