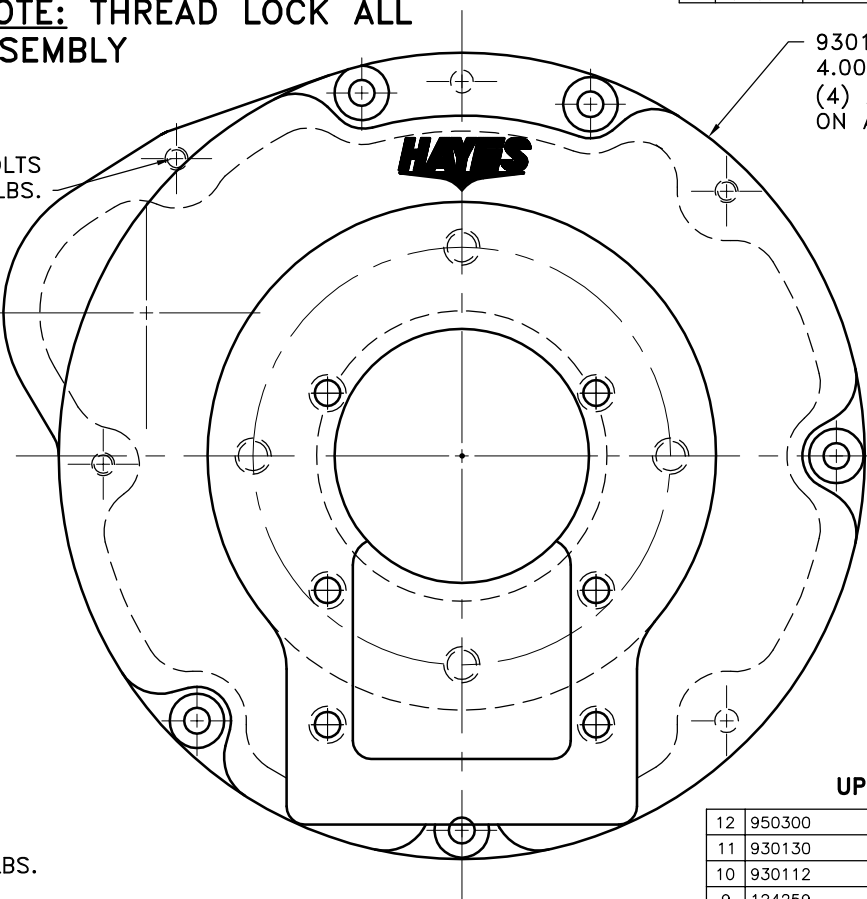
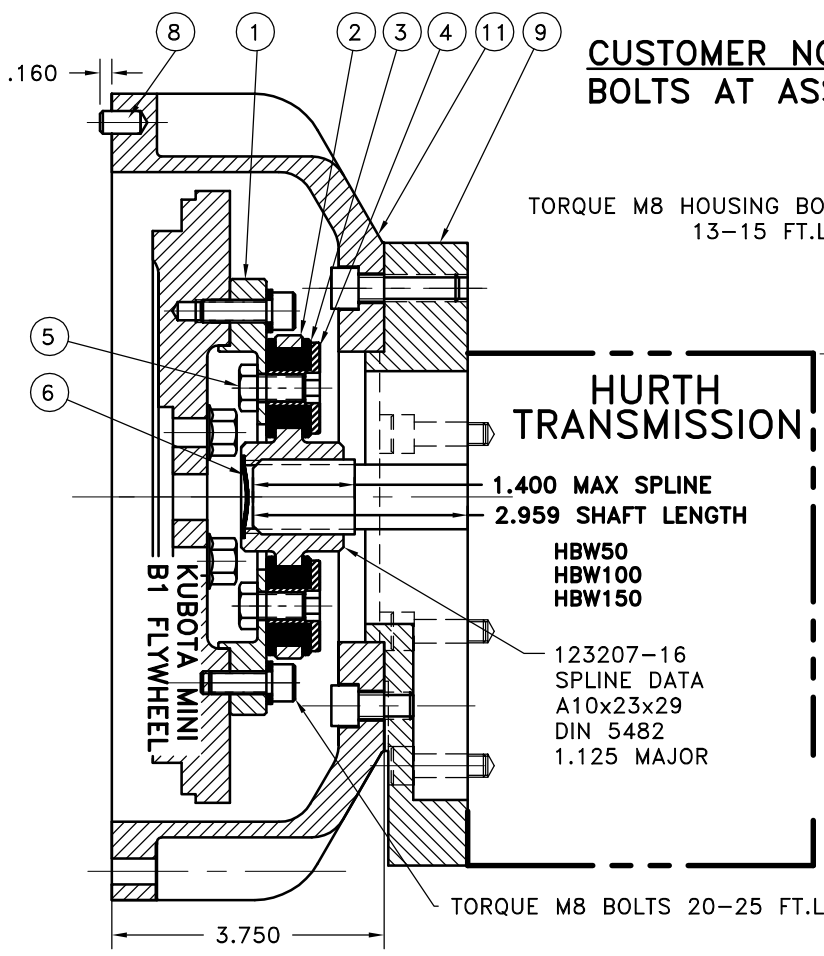


REV	DATE	CHANGE DESCRIPTION	MOD. BY	CK1	CK2
A1	02/11/2003	ADDED ATTN BOX.	ZS	RJH	HM

CUSTOMER NOTE: THREAD LOCK ALL BOLTS AT ASSEMBLY



UP TO 50 HP

QTY.	DESCRIPTION	PART NUMBER	DET.
1	HURTH BOLT KIT (PRE-ASSEMBLED)	950300	12
1	HOUSING	930130	11
1	BOLT KIT (PRE-ASSEMBLED)	123729-01	10
1	ADAPTER PLATE	124259	9
2	SD200x5/16x1/2 DOWEL PIN	801912	8
1	GREASE	801912	7
1	HUBBARD PLUG	HP-1125-S-32	6
6	5/16-24x5/8 HHB Y D	BOLT	5
6	THREADED BUSHING	123729-01	4
6	NEOPRENE INSERT	H52500	3
1	COUPLING HUB	123207-16	2
1	FLYWHEEL PLATE	123394	1

COUPLING ASS'Y #124260

ASS'Y WORKS WITH FLYWHEELS: C-1(16851-25118) & C-2(16861-25112) STARTER PLATE: E-2(19666-04621)

- NOTES:**
- HOUSING FOR KUBOTA ENGINES Z442-B, Z482-B, D662-B, D722-B, WG600-B, WG750-B
 - USE FURNISHED COUPLING GREASE ON BOTH MALE AND FEMALE SPLINE.

SYMBOLS	DET.	PART NUMBER	DESCRIPTION	QTY.
▱ FLATNESS — STRAIGHTNESS ∠ ANGULARITY ⊥ PERPENDICULARITY ∥ PARALLELISM ⊙ CONCENTRICITY ⊕ TRUE POSITION ○ ROUNDNESS Ⓢ CIRCULAR RUN OUT Ⓣ TOTAL RUN OUT Ⓜ CYLINDRICITY ✓ FINISH	DO NOT SCALE DRAWING TOLERANCES UNLESS OTHERWISE SPECIFIED 125 MAXIMUM ANGLE ±1/2° FRACTION ±1/32 DECIMAL .00 ±.01 .000 ±.005 .0000 ±.0005			
CLASS: MAKE: <input type="checkbox"/> BUY: <input type="checkbox"/>		TITLE: KUBOTA MINI SERIES HOUSING & FLYWHEEL COUPLING ASSY MATERIAL:		
DRAWN BY: HAVEMAN CHECKED BY: RJH		DATE: 11-3-94 SCALE:		
DESCRIPTION:		DRAWING NO. 930099 SHEET OF REV.		

THIS DRAWING IS THE PROPERTY OF HAYES MFG. INC. AND IS LOANED SUBJECT TO THE CONDITION THAT IT SHALL NOT BE REPRODUCED, COPIED, LOANED OR OTHERWISE DISPOSED OF, DIRECTLY OR INDIRECTLY. IT SHALL BE USED AS A MEANS OF REFERENCE TO WORK FURNISHED BY THIS COMPANY ONLY AND IS NOT TO BE SUBMITTED TO OUTSIDE PARTIES FOR EXAMINATION WITHOUT OUR CONSENT.