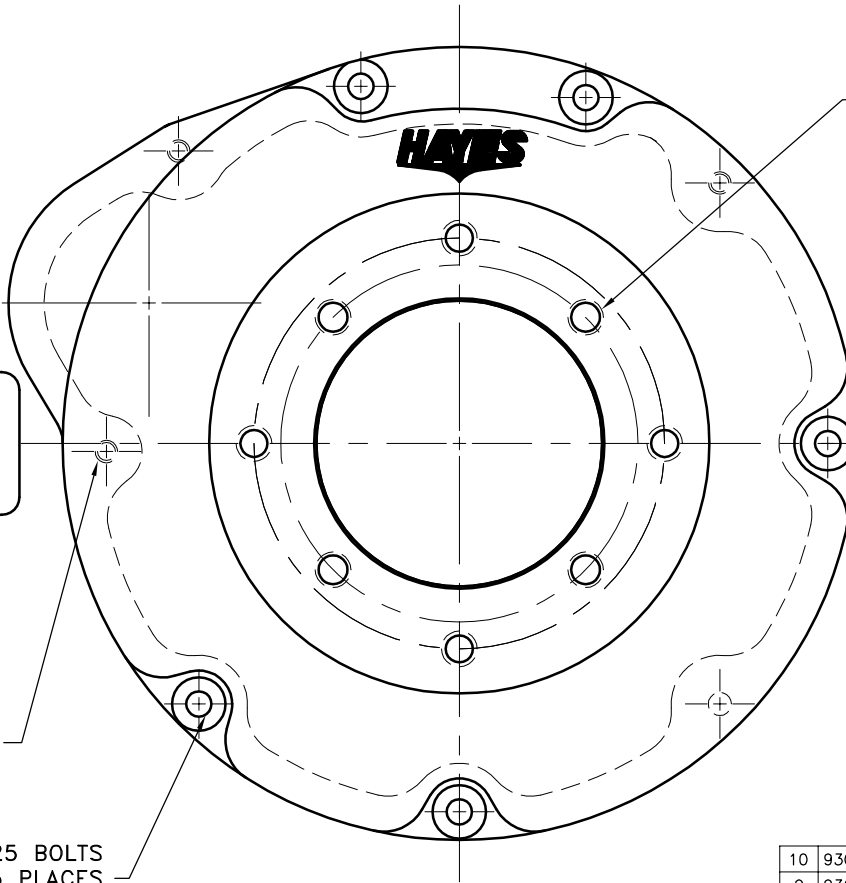
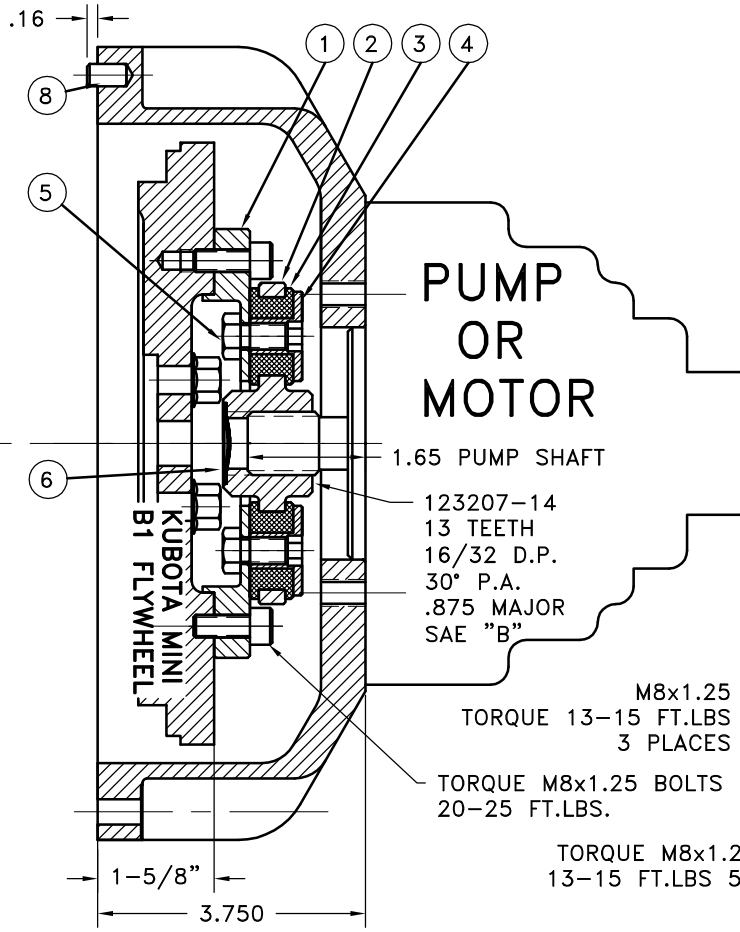


REV	DATE	CHANGE DESCRIPTION	MOD. BY	CK1	CK2



SAE "B" 2-BOLT MOUNT  
 HORIZONTAL & VERTICAL  
 4-BOLT MOUNT  
 4.00 DIA PUMP PILOT  
 (4) 1/2-13 TAPPED HOLES  
 EQ. SPACED ON 5.75 B.C.  
 (4) 1/2-13 TAPPED HOLES  
 EQ. SPACED ON A 5.00 B.C.

**PUMP  
OR  
MOTOR**

1.65 PUMP SHAFT  
 123207-14  
 13 TEETH  
 16/32 D.P.  
 30° P.A.  
 .875 MAJOR  
 SAE "B"

M8x1.25  
 TORQUE 13-15 FT.LBS  
 3 PLACES

TORQUE M8x1.25 BOLTS  
 20-25 FT.LBS.

TORQUE M8x1.25 BOLTS  
 13-15 FT.LBS 5 PLACES

**UP TO 20 HP**

ASS'Y WORKS WITH  
 FLYWHEELS: C-1(16851-25118)  
 & C-2(16861-25112)  
 STARTER PLATE: E-2(19666-04621)

**NOTES:**

1. HOUSING FOR KUBOTA ENGINES Z442-B,  
 Z482-B, D662-B, D722-B, WG600-B,  
 WG750-B

2. USE FURNISHED COUPLING GREASE  
 ON BOTH MALE AND FEMALE SPLINE.

THIS DRAWING IS THE PROPERTY OF HAYES MFG. INC. AND IS LOANED  
 SUBJECT TO THE CONDITION THAT IT SHALL NOT BE REPRODUCED,  
 COPIED, LOANED OR OTHERWISE DISPOSED OF, DIRECTLY OR INDIRECTLY.  
 IT SHALL BE USED AS A MEANS OF REFERENCE TO WORK FURNISHED BY  
 THIS COMPANY ONLY AND IS NOT TO BE SUBMITTED TO OUTSIDE PARTIES  
 FOR EXAMINATION WITHOUT OUR CONSENT.

**COUPLING ASS'Y  
 #124152**

QTY.	DESCRIPTION	PART NUMBER	REV.
1	FLYWHEEL PLATE	123394	1
1	COUPLING HUB	123207-14	1
3	NEOPRENE INSERT	H52500	3
3	THREADED BUSHING	123729-01	3
1	HUBBARD PLUG	HP-1125-S-32	6
1	GREASE	801912	7
2	5/16 DIA x 1/2 DOWEL PIN	PURCHASE	8
1	BOLT KIT	930112	9
1	HOUSING	930100-10	10

SYMBOLS	DET.	PART NUMBER	DESCRIPTION	QTY.
FLATNESS STRAIGHTNESS ANGULARITY SQUARENESS PARALLELISM CONCENTRICITY TRUE POSITION ROUNDNESS CIRCULAR RUN OUT TOTAL RUN OUT CYLINDRICITY FINISH	DO NOT SCALE DRAWING TOLERANCES UNLESS OTHERWISE SPECIFIED 1/32 MAXIMUM ANGLE ±1/2° FRACTION ±1/32 DECIMAL .00 ±.01 .000 ±.005 .0000 ±.0005		 <b>KUBOTA MINI SERIES FLYWHEEL COUPLING ASS'Y</b> MATERIAL:	
- UNLESS OTHERWISE SPECIFIED - REMOVE FIRST THREAD ON ALL TAPPED HOLES BREAK ALL SHARP CORNERS .010 TO .020 STAMP OR MARK DRAWING NO.	DRAWN BY <b>LAWSON</b>	DATE <b>2-3-04</b>	DRAWING NO. <b>930193</b>	SHEET OF REV.