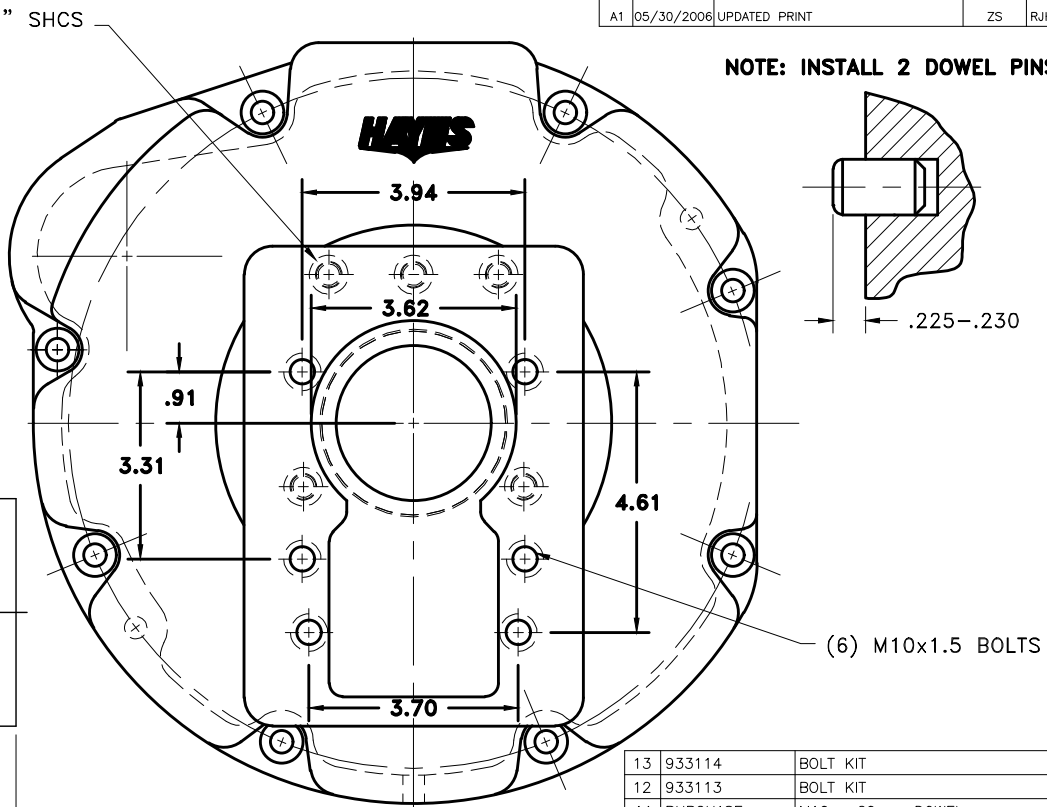
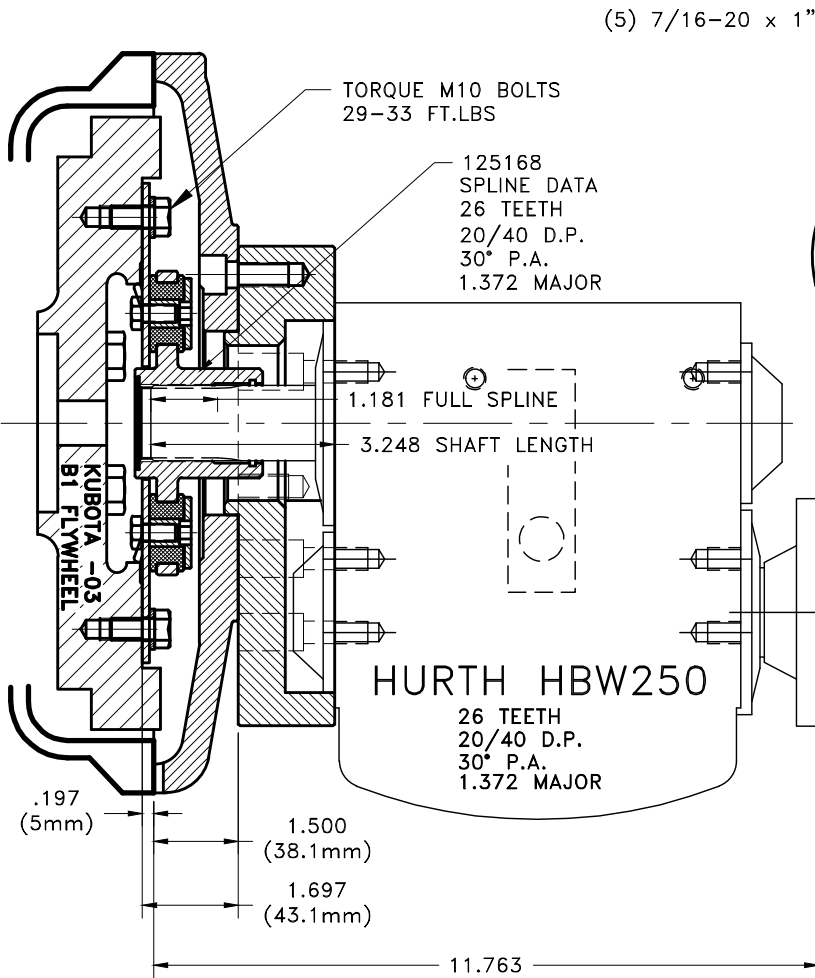


REV	DATE	CHANGE DESCRIPTION	MOD.BY	CK1	CK2
A1	05/30/2006	UPDATED PRINT	ZS	RJH	HM



NOTE: INSTALL 2 DOWEL PINS

ASS'Y WORKS WITH
 FLYWHEELS: C-1(16414-25111) &
 C-4(19629-25113)
 HOUSINGS: D-9(19004-04611) &
 D-8(19077-04611)

NOTE:

1. HOUSING FOR KUBOTA ENGINES D1403-B, D1703-B, V1903-B, AND V2203-B.
2. USE FURNISHED COUPLING GREASE ON BOTH MALE AND FEMALE SPLINE.
3. DOWEL PIN MUST BE PRESSED IN SO THERE IS ONLY .230-.225 OF DOWEL STICKING OUT OF HOUSING.

COUPLING ASS'Y #125170

QTY.	DESCRIPTION	PART NUMBER	DET.
1	BOLT KIT	933114	13
1	BOLT KIT	933113	12
2	M10 x 20mm DOWEL	PURCHASE	11
1	ADAPTER PLATE	125169	10
1	HOUSING	933033	9
1	O-RING	568-125	8
1	GREASE	801912	7
1	GREASE PLUG	HP-1625-S-62	6
8	5/16-24 x 5/8" HHB	HX100	5
8	THREADED BUSHING	123729-01	4
8	NEOPRENE INSERT	H52500	3
1	COUPLING HUB	125168	2
1	FLYWHEEL PLATE	124118-04	1

SYMBOLS		DET.	PART NUMBER	DESCRIPTION	QTY.
	FLATNESS	DO NOT SCALE			
	STRAIGHTNESS	DRAWING			
	ANGULARITY	TOLERANCES UNLESS OTHERWISE SPECIFIED			
	PERPENDICULARITY	1/32" MAXIMUM			
	PARALLELISM	ANGLE ±1/2°			
	CONCENTRICITY	FRACTION ±1/32			
	TRUE POSITION	DECIMAL			
	ROUNDNESS	.00 ±.01			
	CIRCULAR RUN OUT	.000 ±.005			
	TOTAL RUN OUT	.0000 ±.0005			
	CYLINDRICITY				
	FINISH				
CLASS		MAKE: <input type="checkbox"/> BUY: <input type="checkbox"/>	DRAWN BY	DATE	DRAWING NO.
DESCRIPTION			RJH	08-04-98	933034
			CHECKED BY	SCALE	SHEET OF REV.
					933034

THIS DRAWING IS THE PROPERTY OF HAYES MFG. INC. AND IS LOANED SUBJECT TO THE CONDITION THAT IT SHALL NOT BE REPRODUCED, COPIED, LOANED OR OTHERWISE DISPOSED OF, DIRECTLY OR INDIRECTLY. IT SHALL BE USED AS A MEANS OF REFERENCE TO WORK FURNISHED BY THIS COMPANY ONLY AND IS NOT TO BE SUBMITTED TO OUTSIDE PARTIES FOR EXAMINATION WITHOUT OUR CONSENT.