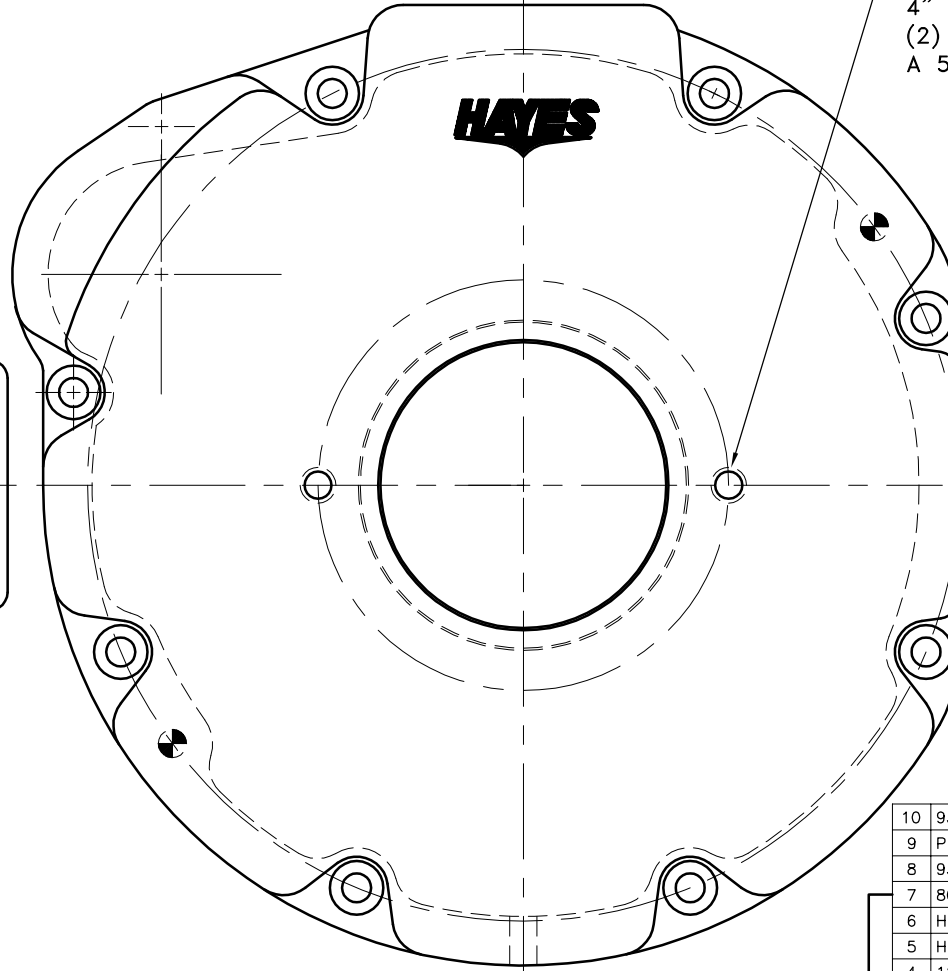
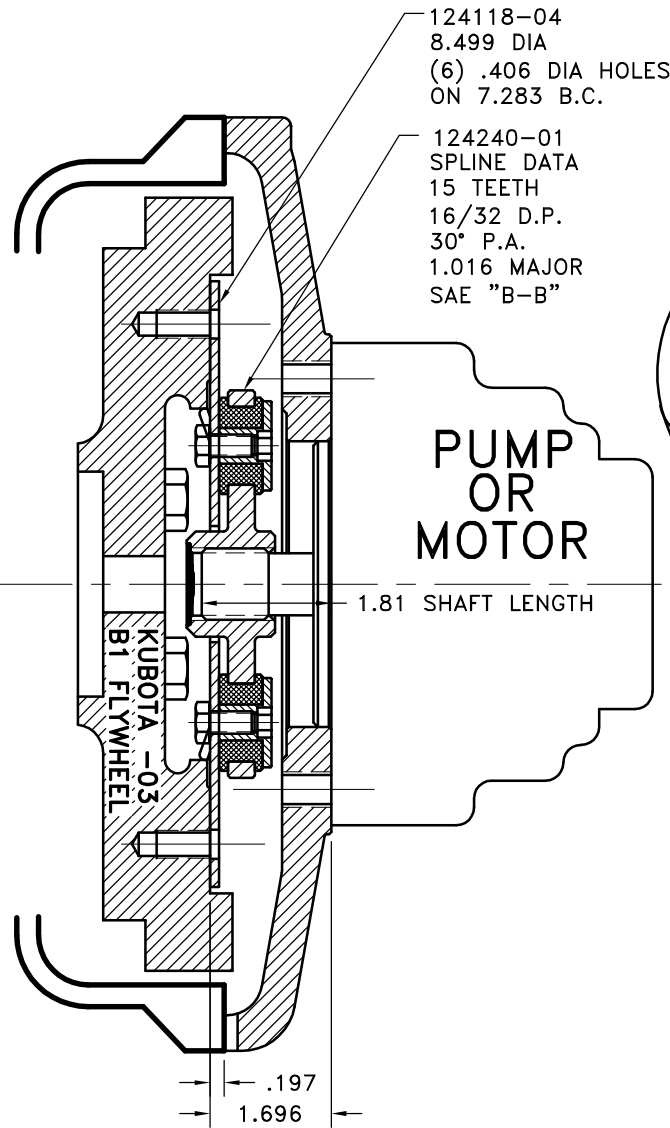
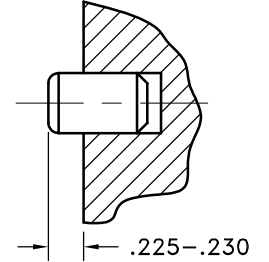


REV	DATE	CHANGE DESCRIPTION	MOD.BY	CK1	CK2
A1	07/18/2006	UPDATED PRINT\ FIXED DOWEL NOTE	ZS		



NOTE: INSTALL 2 DOWEL PINS



UP TO 75 HP

QTY.	PART NUMBER	DESCRIPTION
1	933113	BOLT KIT
2	9	PURCHASE M10x20mm DOWEL
1	8 933023-02	HOUSING
1	7 801912	GREASE
1	6 HP-1125-S-32	GREASE PLUG
8	5 HX100	5/16-24 x 5/8" HHB
8	4 123729-01	THREADED BUSHING
8	3 H52500	NEOPRENE INSERT
1	2 124240-01	COUP HUB [15T 16/32\3.875]
1	1 124118-04	FLYWHEEL PLATE [KUB 03\3.875]

COUPLING ONLY #125686

ASS'Y WORKS WITH  
FLYWHEELS: C-1(16414-25111) &  
C-4(19629-25113)  
HOUSINGS: D-9(19004-04611) &  
D-8(19077-04611)

NOTE:

1. HOUSING FOR KUBOTA ENGINES D1403-B, D1703-B, V1903-B, AND V2203-B.
2. USE FURNISHED COUPLING GREASE ON BOTH MALE AND FEMALE SPLINE.
3. DOWEL PIN MUST BE PRESSED IN SO THERE IS ONLY .230-.225 OF DOWEL STICKING OUT OF HOUSING.

THIS DRAWING IS THE PROPERTY OF HAYES MFG. INC. AND IS LOANED SUBJECT TO THE CONDITION THAT IT SHALL NOT BE REPRODUCED, COPIED, LOANED OR OTHERWISE DISPOSED OF, DIRECTLY OR INDIRECTLY. IT SHALL BE USED AS A MEANS OF REFERENCE TO WORK FURNISHED BY THIS COMPANY ONLY AND IS NOT TO BE SUBMITTED TO OUTSIDE PARTIES FOR EXAMINATION WITHOUT OUR CONSENT.

SYMBOLS	DET.	PART NUMBER	DESCRIPTION	QTY.
FLATNESS STRAIGHTNESS ANGULARITY SQUARENESS PARALLELISM CONCENTRICITY TRUE POSITION ROUNDNESS CIRCULAR RUN OUT TOTAL RUN OUT CYLINDRICITY FINISH	DO NOT SCALE DRAWING TOLERANCES UNLESS OTHERWISE SPECIFIED 12/ MAXIMUM ANGLE ±1/2° FRACTION ±1/32 DECIMAL .00 ±.01 .000 ±.005 .0000 ±.0005		 TITLE KUBOTA 03 FLYWHEEL COUPLING AND HOUSING ASSY MATERIAL	
- UNLESS OTHERWISE SPECIFIED - REMOVE FIRST THREAD ON ALL TAPPED HOLES BREAK ALL SHARP CORNERS .010 TO .020 STAMP OR MARK DRAWING NO.	DRAWN BY SIETING CHECKED BY RJH	DATE 02-02-00 SCALE	DRAWING NO. 933040 SHEET OF REV.	