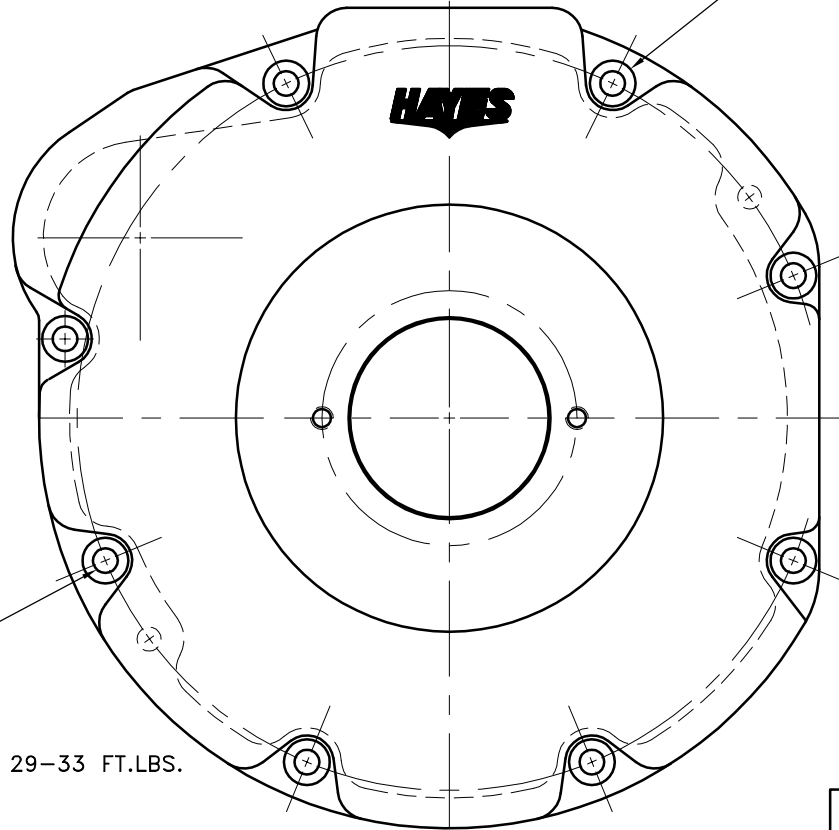
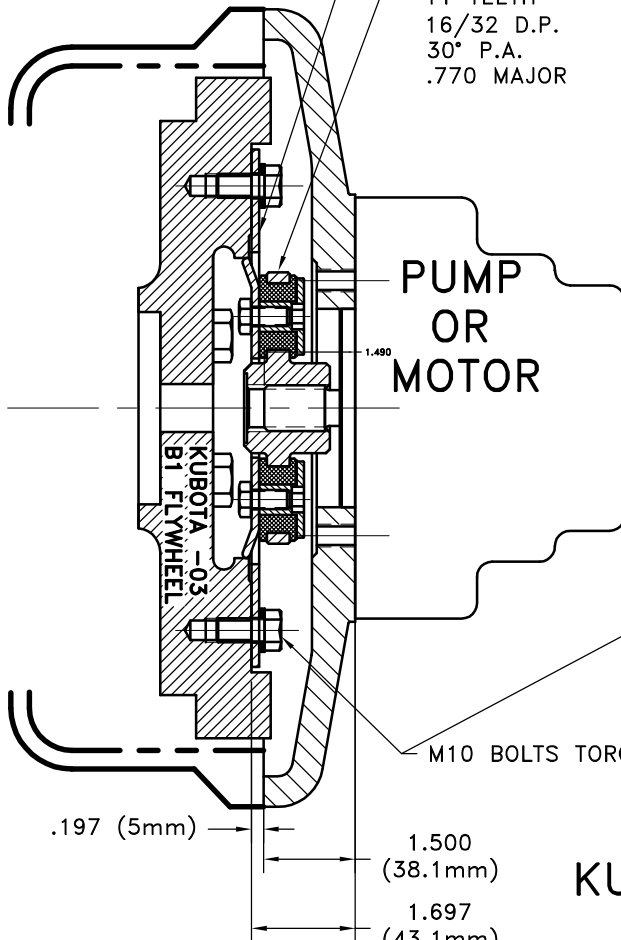


REV	DATE	CHANGE DESCRIPTION	MOD. BY	CK1	CK2
A1	07/24/2006	FIXED DOWEL NOTES	ZS		

124118-01
8.499 DIA
(6) .406 DIA HOLES
EQ. SPACED ON 7.283 B.C.

123207-06
SPLINE DATA
11 TEETH
16/32 D.P.
30° P.A.
.770 MAJOR

933023-01
SAE "A" 2-BOLT
3 1/4" PILOT
(2) 3/8-16 TAPPED HOLES
EQ. SPACED ON 4.187 B.C.
3.250 PUMP PILOT



KUBOTA -03 SERIES

COUPLING ASS'Y #127896

ASS'Y WORKS WITH
FLYWHEELS: C-1(16414-25111) &
C-4(19629-25113)
HOUSINGS: D-9(19004-04611) &
D-8(19077-04611)

- HOUSING FOR KUBOTA ENGINES D1403-B, D1703-B, V1903-B, AND V2203-B.
- USE FURNISHED COUPLING GREASE ON BOTH MALE AND FEMALE SPLINE.
- DOWEL PIN MUST BE PRESSED IN SO THERE IS ONLY .230-.225 OF DOWEL STICKING OUT OF HOUSING.

THIS DRAWING IS THE PROPERTY OF HAYES MFG. INC. AND IS LOANED SUBJECT TO THE CONDITION THAT IT SHALL NOT BE REPRODUCED, COPIED, LOANED OR OTHERWISE DISPOSED OF, DIRECTLY OR INDIRECTLY. IT SHALL BE USED AS A MEANS OF REFERENCE TO WORK FURNISHED BY THIS COMPANY ONLY AND IS NOT TO BE SUBMITTED TO OUTSIDE PARTIES FOR EXAMINATION WITHOUT OUR CONSENT.

QTY.	DESCRIPTION	PART NUMBER	DET.
1	BOLT KIT	933113	10
2	M10 x 20mm DOWEL PINS	933113	9
1	HOUSING	933023-01	8
1	GREASE	801912	7
1	HUBBARD PLUG	HP-1125-S-32	6
6	5/16-24 x 5/8" HHB	HX100	5
6	THREADED BUSHIN	123729-01	4
6	NEOPRENE INSERT	H52500	3
1	COUPLING HUB	123207-06	2
1	FLYWHEEL PLATE	124118-01	1

SYMBOLS	DET.	PART NUMBER	DESCRIPTION	QTY.
FLATNESS STRAIGHTNESS ANGULARITY SQUARENESS PARALLELISM CONCENTRICITY TRUE POSITION ROUNDNESS CIRCULAR RUN OUT TOTAL RUN OUT CYLINDRICITY FINISH	DO NOT SCALE DRAWING TOLERANCES UNLESS OTHERWISE SPECIFIED MAXIMUM ANGLE ±1/2° FRACTION ±1/32 DECIMAL .00 ±.01 .000 ±.005 .0000 ±.0005		 TITLE KUBOTA -03 SERIES HOUSING & FLYWHEEL COUPLING ASS'Y MATERIAL	
- UNLESS OTHERWISE SPECIFIED - REMOVE FIRST THREAD ON ALL TAPPED HOLES BREAK ALL SHARP CORNERS .010 TO .020 STAMP OR MARK DRAWING NO.	DRAWN BY SIETING CHECKED BY RJH	DATE 05-17-05 SCALE	DRAWING NO. 933064 SHEET OF REV.	