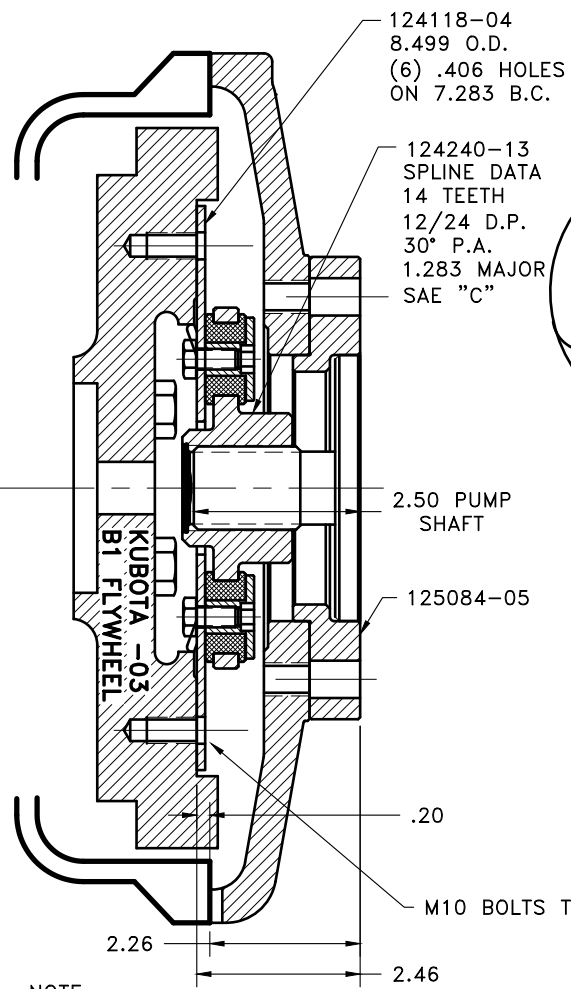
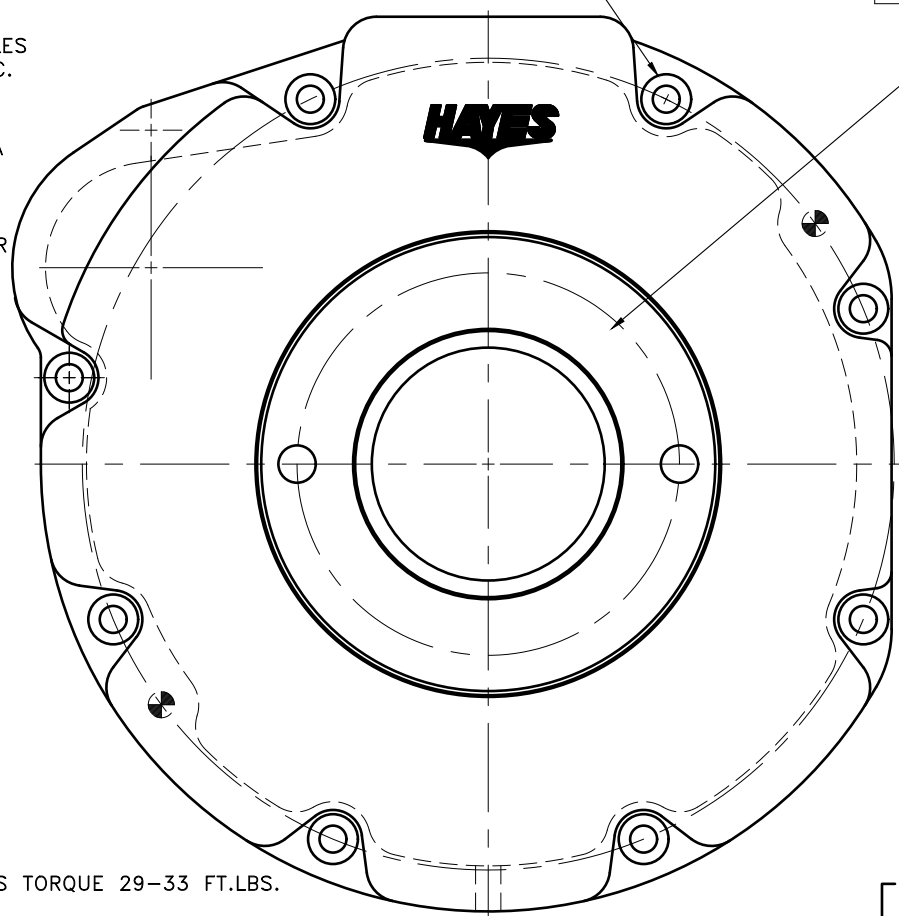


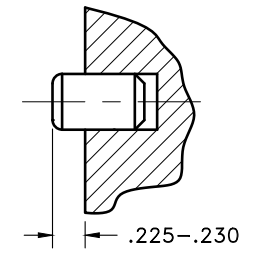
REV	DATE	CHANGE DESCRIPTION	MOD.BY	CK1	CK2



M10 BOLTS TORQUE 29-33 FT.LBS.



NOTE: INSTALL 2 DOWEL PINS



UP TO 75 HP

QTY.	DESCRIPTION	PART NUMBER	DET.
1	BOLT KIT	933113	11
2	M10x20mm LG DOWEL	PURCHASE	10
1	PUMP SPACER	125084-04	9
1	HOUSING	933023-02	8
1	GREASE	801912	7
1	HUBBARD PLUG	HP-1312-S-62	6
8	5/16-24 x 5/8" HHB	HX100	5
8	THREADED BUSHING	123729-01	4
8	NEOPRENE INSERT	H52500	3
1	COUPLING HUB	124240-13	2
1	FLYWHEEL PLATE	124118-04	1

COUPLING ASS'Y  
#125255

ASS'Y WORKS WITH  
FLYWHEELS: C-1(16414-25111) &  
C-4(19629-25113)  
HOUSINGS: D-9(19004-04611) &  
D-8(19077-04611)

- NOTE:
- HOUSING FOR KUBOTA ENGINES D1403-B, D1703-B, V1903-B, AND V2203-B.
  - USE FURNISHED COUPLING GREASE ON BOTH MALE AND FEMALE SPLINE.
  - DOWEL PIN MUST BE PRESSED IN SO THERE IS ONLY .230-.225 OF DOWEL STICKING OUT OF HOUSING.

SYMBOLS		DET.	PART NUMBER	DESCRIPTION	QTY.
	FLATNESS	DO NOT SCALE			
	STRAIGHTNESS	DRAWING			
	ANGULARITY	TOLERANCES UNLESS OTHERWISE SPECIFIED			
	PERPENDICULARITY				
	PARALLELISM				
	CONCENTRICITY	1/32" MAXIMUM			
	TRUE POSITION				
	ROUNDNESS	ANGLE ±1/2°			
	CIRCULAR RUN OUT	FRACTION ±1/32			
	TOTAL RUN OUT	DECIMAL			
	CYLINDRICITY	.00 ±.01			
	FINISH	.000 ±.005			
	FINISH	.0000 ±.0005			

MANUFACTURING INC. ®

TITLE: KUBOTA -03 HOUSING W/ FLYWHEEL COUPLING ASS'Y

MATERIAL:

CLASS	MAKE: <input type="checkbox"/> BUY: <input type="checkbox"/>	DRAWN BY	DATE	DRAWING NO.
DESCRIPTION		SIETING	03-20-2014	933147
		CHECKED BY	SCALE	SHEET OF REV.
		RJH		1 OF 1

THIS DRAWING IS THE PROPERTY OF HAYES MFG. INC. AND IS LOANED SUBJECT TO THE CONDITION THAT IT SHALL NOT BE REPRODUCED, COPIED, LOANED OR OTHERWISE DISPOSED OF, DIRECTLY OR INDIRECTLY. IT SHALL BE USED AS A MEANS OF REFERENCE TO WORK FURNISHED BY THIS COMPANY ONLY AND IS NOT TO BE SUBMITTED TO OUTSIDE PARTIES FOR EXAMINATION WITHOUT OUR CONSENT.