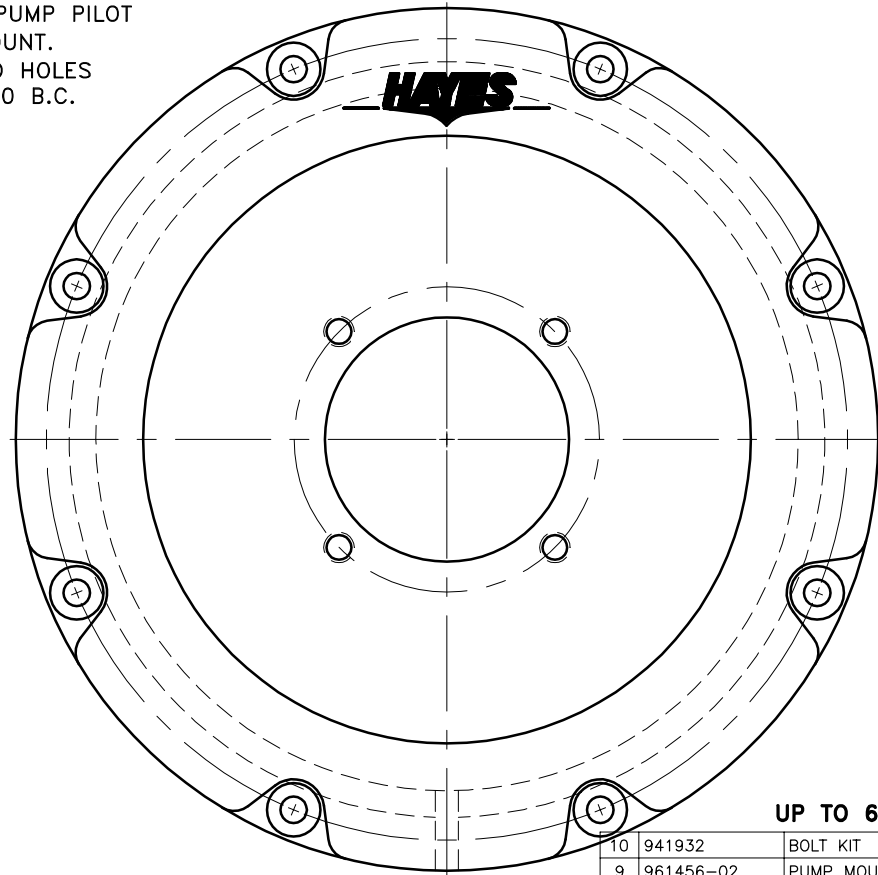
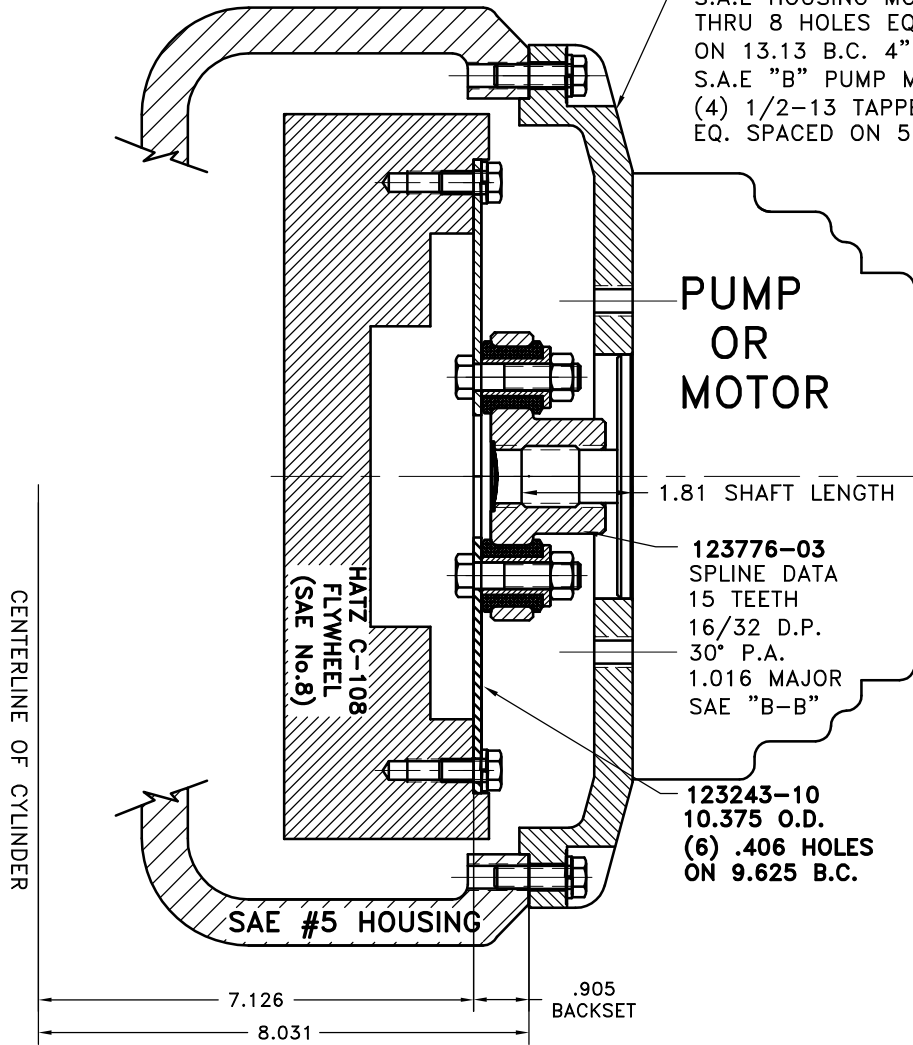


REV	DATE	CHANGE DESCRIPTION	MOD. BY	CK1	CK2
A	07/01/2004	CHANGED HOUSING #	ZS	MH	HM

961456-02  
 S.A.E HOUSING MOUNT 27/64 DRILL  
 THRU 8 HOLES EQUALLY SPACED  
 ON 13.13 B.C. 4" PUMP PILOT  
 S.A.E "B" PUMP MOUNT.  
 (4) 1/2-13 TAPPED HOLES  
 EQ. SPACED ON 5.00 B.C.



PUMP  
OR  
MOTOR

1.81 SHAFT LENGTH

123776-03  
 SPLINE DATA  
 15 TEETH  
 16/32 D.P.  
 30° P.A.  
 1.016 MAJOR  
 SAE "B-B"

123243-10  
 10.375 O.D.  
 (6) .406 HOLES  
 ON 9.625 B.C.

UP TO 65 HP

COUPLING ASS'Y  
 #123294

QTY.	DESCRIPTION	PART NUMBER	REV.
1	BOLT KIT	941932	10
1	PUMP MOUNT PLATE	961456-02	9
1	GREASE	801912	8
1	HUBBARD PLUG	HP-1125-S-32	7
6	NUT	N250	6
6	HHB	HX230	5
6	NEOPRENE INSERT	H62500	4
6	STEEL BUSHING	123000-00	3
1	COUPLING HUB	123776-03	2
1	FLYWHEEL PLATE	123243-10	1

SYMBOLS	DET.	PART NUMBER	DESCRIPTION	QTY.
▨ FLATNESS — STRAIGHTNESS ∠ ANGULARITY ⊥ SQUARENESS ∥ PARALLELISM ⊙ CONCENTRICITY ⊕ TRUE POSITION ○ ROUNDNESS ⊖ CIRCULAR RUN OUT ⊖ TOTAL RUN OUT ⊖ CYLINDRICITY √ FINISH	DO NOT SCALE DRAWING TOLERANCES UNLESS OTHERWISE SPECIFIED 125 MAXIMUM ANGLE ±1/2° FRACTION ±1/32 DECIMAL .00 ±.01 .000 ±.005 .0000 ±.0005			
- UNLESS OTHERWISE SPECIFIED - REMOVE FIRST THREAD ON ALL TAPPED HOLES BREAK ALL SHARP CORNERS .010 TO .020 STAMP OR MARK DRAWING NO.		TITLE <b>HATZ HOUSING &amp; COUPLING ASS'Y</b> MATERIAL	DRAWN BY HAVEMAN	DATE 12-23-93
		DRAWING NO. <b>941777</b>	CHECKED BY SCALE	SHEET OF REV.

THIS DRAWING IS THE PROPERTY OF HAYES MFG. INC. AND IS LOANED  
 SUBJECT TO THE CONDITION THAT IT SHALL NOT BE REPRODUCED,  
 COPIED, LOANED OR OTHERWISE DISPOSED OF, DIRECTLY OR INDIRECTLY.  
 IT SHALL BE USED AS A MEANS OF REFERENCE TO WORK FURNISHED BY  
 THIS COMPANY ONLY AND IS NOT TO BE SUBMITTED TO OUTSIDE PARTIES  
 FOR EXAMINATION WITHOUT OUR CONSENT.