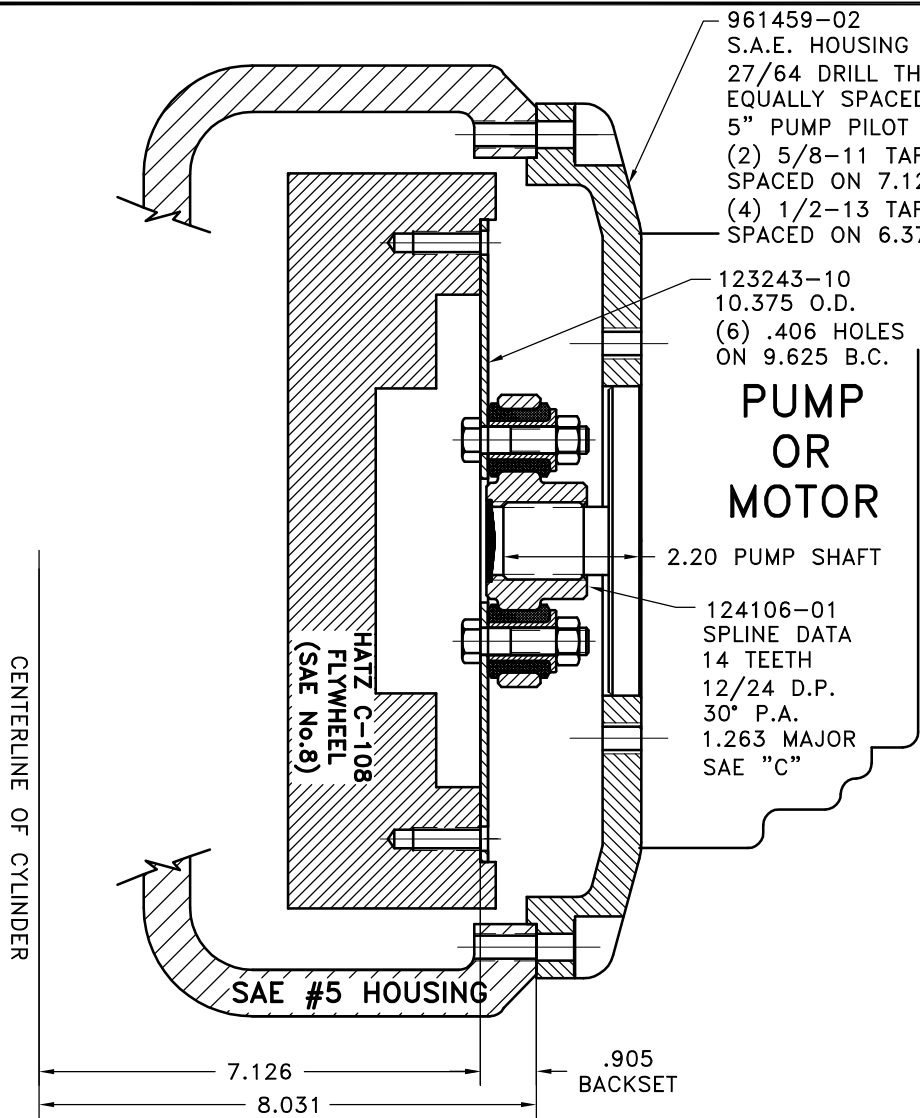


REV	DATE	CHANGE DESCRIPTION	MOD.BY	CK1	CK2
B	07/18/2005	CHANGED TO BOLTED.	ZS	HM	RJH



961459-02
S.A.E. HOUSING MOUNT
27/64 DRILL THRU 8 HOLES
EQUALLY SPACED ON 13.13 B.C.
5" PUMP PILOT S.A.E "C" PUMP MOUNT.
(2) 5/8-11 TAPPED HOLES EQ.
SPACED ON 7.125 B.C.
(4) 1/2-13 TAPPED HOLES EQ.
SPACED ON 6.375 B.C.

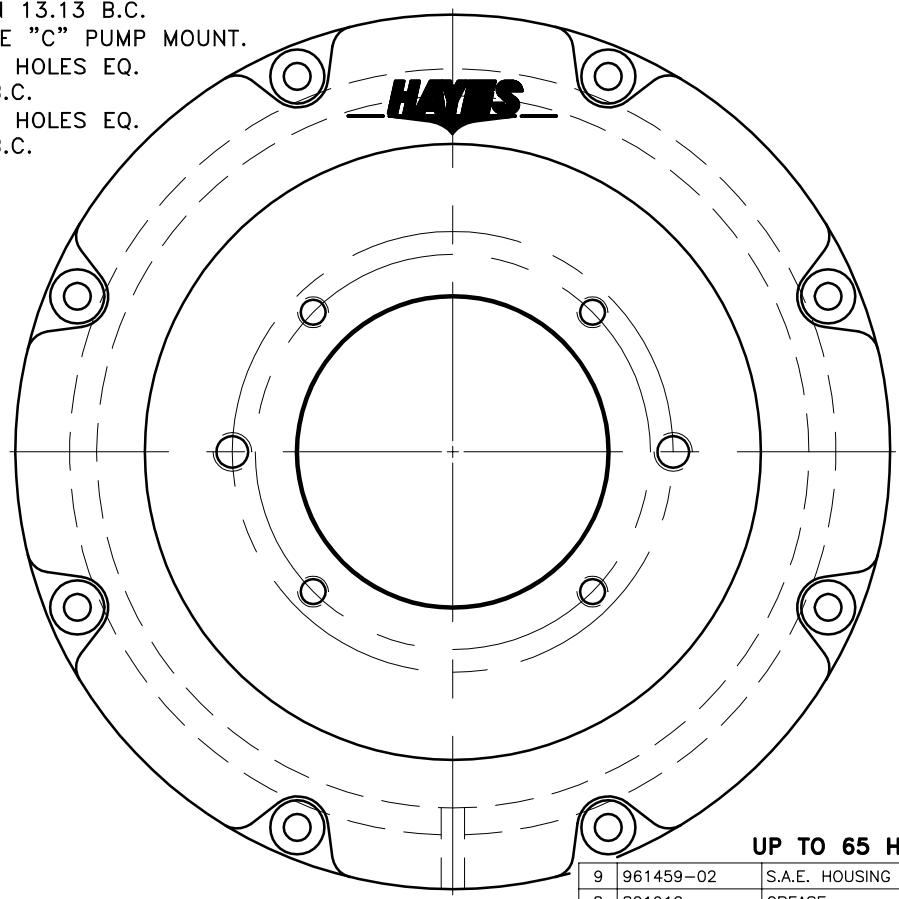
123243-10
10.375 O.D.
(6) .406 HOLES
ON 9.625 B.C.

**PUMP
OR
MOTOR**

2.20 PUMP SHAFT

124106-01
SPLINE DATA
14 TEETH
12/24 D.P.
30° P.A.
1.263 MAJOR
SAE "C"

CENTERLINE OF CYLINDER



UP TO 65 HP

QTY.	DESCRIPTION	PART NUMBER	REV.
1	FLYWHEEL PLATE	123243-10	1
1	COUPLING HUB	124106-01	1
6	STEEL BUSHING	123000-00	6
6	NEOPRENE INSERT	H62500	6
6	7/16-20 x 1 3/4" HHB	HX230	6
6	7/16-20 NUT	N250	6
1	HUBBARD PLUG	HP-1312-S-62	1
1	GREASE	801912	1
1	S.A.E. HOUSING	961459-02	9

**COUPLING ASS'Y
#125340**

SYMBOLS	DET.	PART NUMBER	DESCRIPTION	QTY.
▨ FLATNESS — STRAIGHTNESS ∠ ANGULARITY ⊥ SQUARENESS ∥ PARALLELISM ⊙ CONCENTRICITY ⊕ TRUE POSITION ○ ROUNDNESS ⊖ CIRCULAR RUN OUT ⊖ TOTAL RUN OUT ∅ CYLINDRICITY √ FINISH	DO NOT SCALE DRAWING TOLERANCES UNLESS OTHERWISE SPECIFIED 125 MAXIMUM ANGLE ±1/2° FRACTION ±1/32 DECIMAL .00 ±.01 .000 ±.005 .0000 ±.0005			
- UNLESS OTHERWISE SPECIFIED - REMOVE FIRST THREAD ON ALL TAPPED HOLES BREAK ALL SHARP CORNERS .010 TO .020 STAMP OR MARK DRAWING NO.			TITLE HATZ HOUSING & COUPLING ASS'Y MATERIAL	DRAWN BY HAVEMAN DATE 03-28-01 DRAWING NO. 941927 CHECKED BY SCALE SHEET OF REV. _____ OF ____

THIS DRAWING IS THE PROPERTY OF HAYES MFG. INC. AND IS LOANED SUBJECT TO THE CONDITION THAT IT SHALL NOT BE REPRODUCED, COPIED, LOANED OR OTHERWISE DISPOSED OF, DIRECTLY OR INDIRECTLY. IT SHALL BE USED AS A MEANS OF REFERENCE TO WORK FURNISHED BY THIS COMPANY ONLY AND IS NOT TO BE SUBMITTED TO OUTSIDE PARTIES FOR EXAMINATION WITHOUT OUR CONSENT.