

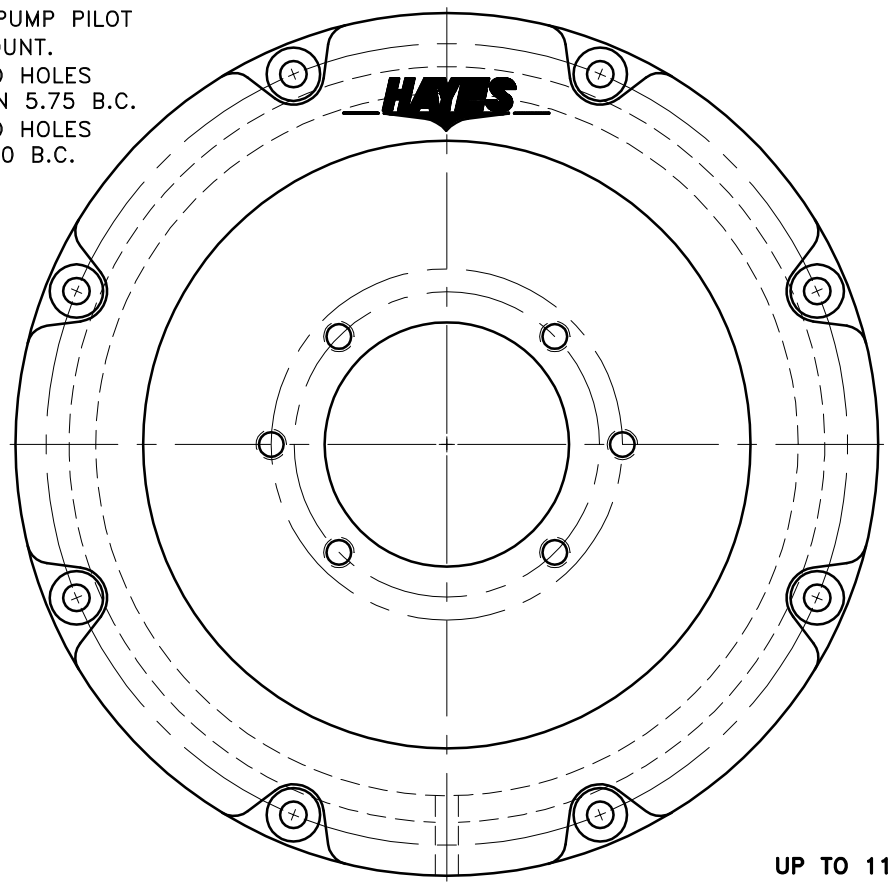
961459-01
 S.A.E HOUSING MOUNT 27/64 DRILL
 THRU 8 HOLES EQUALLY SPACED
 ON 13.13 B.C. 4" PUMP PILOT
 S.A.E "B" PUMP MOUNT.
 (2) 1/2-13 TAPPED HOLES
 EQUALLY SPACED ON 5.75 B.C.
 (4) 1/2-13 TAPPED HOLES
 EQ. SPACED ON 5.00 B.C.

PUMP
 OR
 MOTOR

1.650 SHAFT LENGTH

123044-13
 SPLINE DATA
 13 TEETH
 16/32 D.P.
 30° P.A.
 .885 MAJOR
 SAE "B"

123243-24
 10.375 O.D.
 (6) .406 HOLES
 ON 9.625 B.C.



UP TO 110 HP

COUPLING ASS'Y
 #126269

8	941932	BOLT KIT	1
7	961459-01	PUMP MOUNT PLATE	1
6	801912	GREASE	1
5	HP-937-S-32	HUBBARD PLUG	1
4	H62500	NEOPRENE INSERT	6
3	123238-01	STEEL RIVET	6
2	123044-13	COUPLING HUB	1
1	123243-24	FLYWHEEL PLATE	1

THIS DRAWING IS THE PROPERTY OF HAYES MFG. INC. AND IS LOANED SUBJECT TO THE CONDITION THAT IT SHALL NOT BE REPRODUCED, COPIED, LOANED OR OTHERWISE DISPOSED OF, DIRECTLY OR INDIRECTLY. IT SHALL BE USED AS A MEANS OF REFERENCE TO WORK FURNISHED BY THIS COMPANY ONLY AND IS NOT TO BE SUBMITTED TO OUTSIDE PARTIES FOR EXAMINATION WITHOUT OUR CONSENT.

SYMBOLS ▨ FLATNESS — STRAIGHTNESS ∠ ANGULARITY ⊥ SQUARENESS // PARALLELISM ⊙ CONCENTRICITY ⊕ TRUE POSITION ○ ROUNDNESS ⊖ CIRCULAR RUN OUT ⊖ TOTAL RUN OUT ⊖ CYLINDRICITY √ FINISH	DET. PART NUMBER DESCRIPTION QTY. DO NOT SCALE DRAWING TOLERANCES UNLESS OTHERWISE SPECIFIED 125 MAXIMUM ANGLE ±1/2° FRACTION ±1/32 DECIMAL .00 ±.01 .000 ±.005 .0000 ±.0005		
	TITLE HATZ HOUSING & COUPLING ASS'Y MATERIAL		DRAWN BY HAVEMAN
- UNLESS OTHERWISE SPECIFIED - REMOVE FIRST THREAD ON ALL TAPPED HOLES BREAK ALL SHARP CORNERS .010 TO .020 STAMP OR MARK DRAWING NO.		CHECKED BY SCALE	DRAWING NO. 941929 SHEET OF REV.