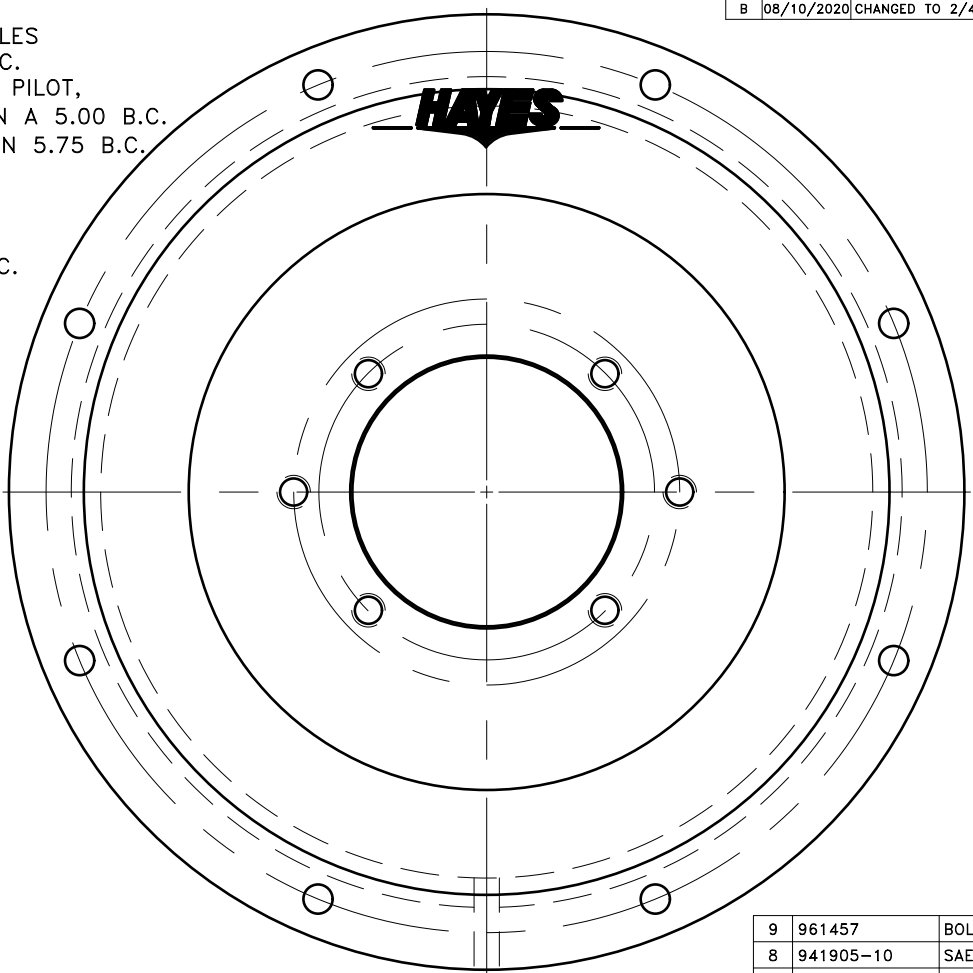
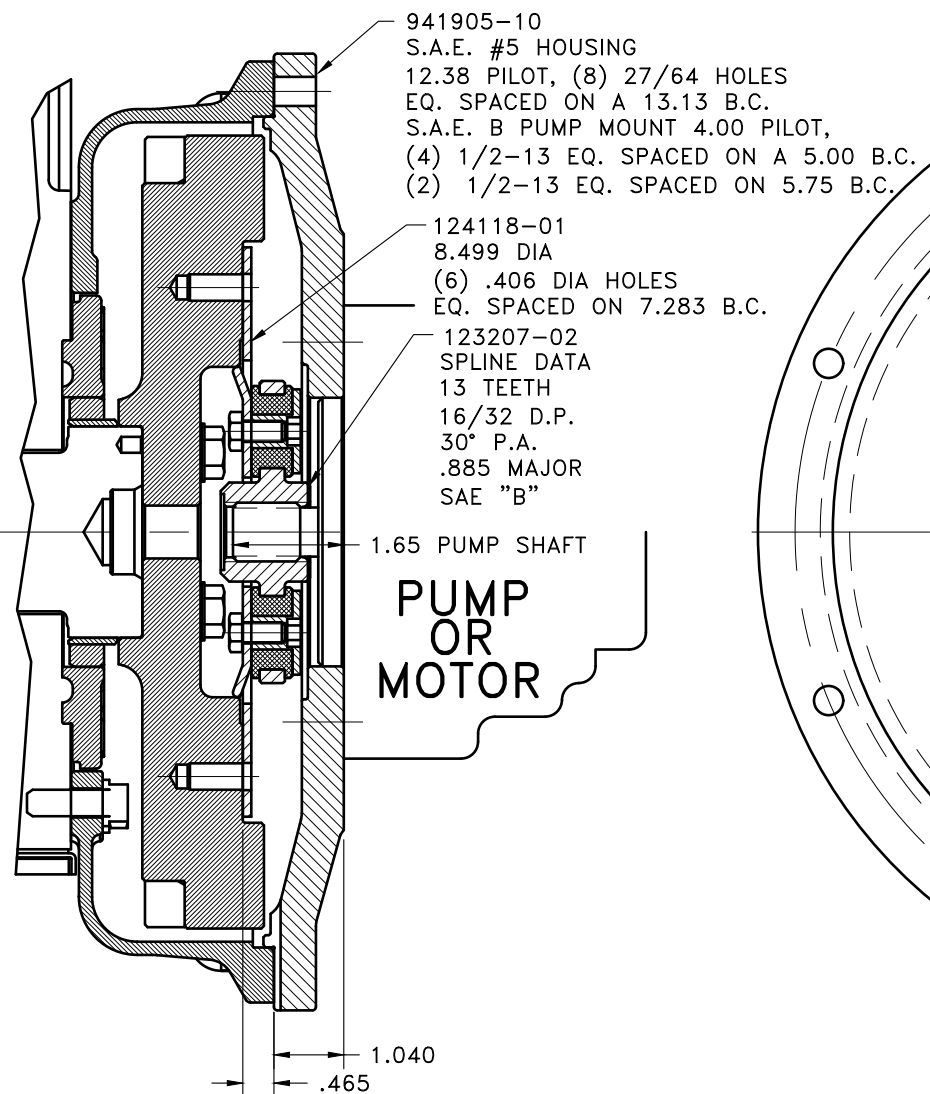


REV	DATE	CHANGE DESCRIPTION	MOD.BY	CK1	CK2
B	08/10/2020	CHANGED TO 2/4 BOLT	LAWSON		



COUPLING ASS'Y
#126810

QTY.	PART NUMBER	DESCRIPTION
1	961457	BOLT KIT (PRE-ASSEMBLED)
1	941905-10	SAE 5 HOUSING
1	801912	GREASE
1	HP-1125-S-32	HUBBARD PLUG
6	BOLT	5/16-24x5/8 HHB Y D
6	123729-01	THREADED BUSHING
6	H52500	NEOPRENE INSERT
1	123207-02	COUPLING HUB
1	124118-01	FLYWHEEL PLATE

FITS KUBOTA 2403-M, D1803-M
FITS FLYWHEEL #1G850-25113
AND HOUSING #1G850-04613
OR SIMILAR PARTS.

SYMBOLS	DET.	PART NUMBER	DESCRIPTION	QTY.
—	DO NOT SCALE			
—	DRAWING			
—	TOLERANCES UNLESS OTHERWISE SPECIFIED			
—	125 MAXIMUM			
—	ANGLE ±1/2°			
—	FRACTION ±1/32			
—	DECIMAL			
—	.00 ±.01			
—	TOTAL RUN OUT			
—	.000 ±.005			
—	CYLINDRICITY			
—	.000 ±.005			
—	FINISH			

HAYES
MANUFACTURING INC. ®

TITLE: KUBOTA-03 FLYWHEEL COUPLING ASS'Y

CLASS KUBOTA	MAKE: <input checked="" type="checkbox"/> BUY: <input type="checkbox"/>	DRAWN BY SIETING	DATE 04-03-06	DRAWING NO. 941960
DESCRIPTION KB2403,13T16/32,B24,50	DESIGN LEAD	SCALE	SHEET OF REV.	

KUBOTA -03 SERIES W/ SEMI S.A.E. 5 HOUSING

THIS DRAWING IS THE PROPERTY OF HAYES MFG. INC. AND IS LOANED SUBJECT TO THE CONDITION THAT IT SHALL NOT BE REPRODUCED, COPIED, LOANED OR OTHERWISE DISPOSED OF, DIRECTLY OR INDIRECTLY. IT SHALL BE USED AS A MEANS OF REFERENCE TO WORK FURNISHED BY THIS COMPANY ONLY AND IS NOT TO BE SUBMITTED TO OUTSIDE PARTIES FOR EXAMINATION WITHOUT OUR CONSENT.