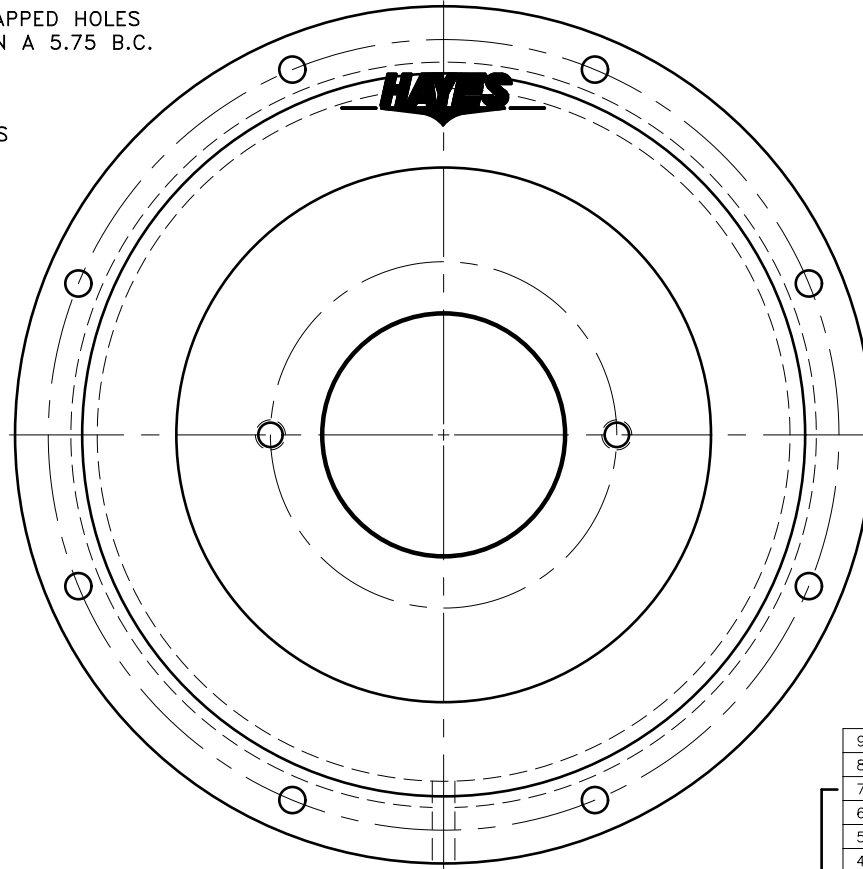
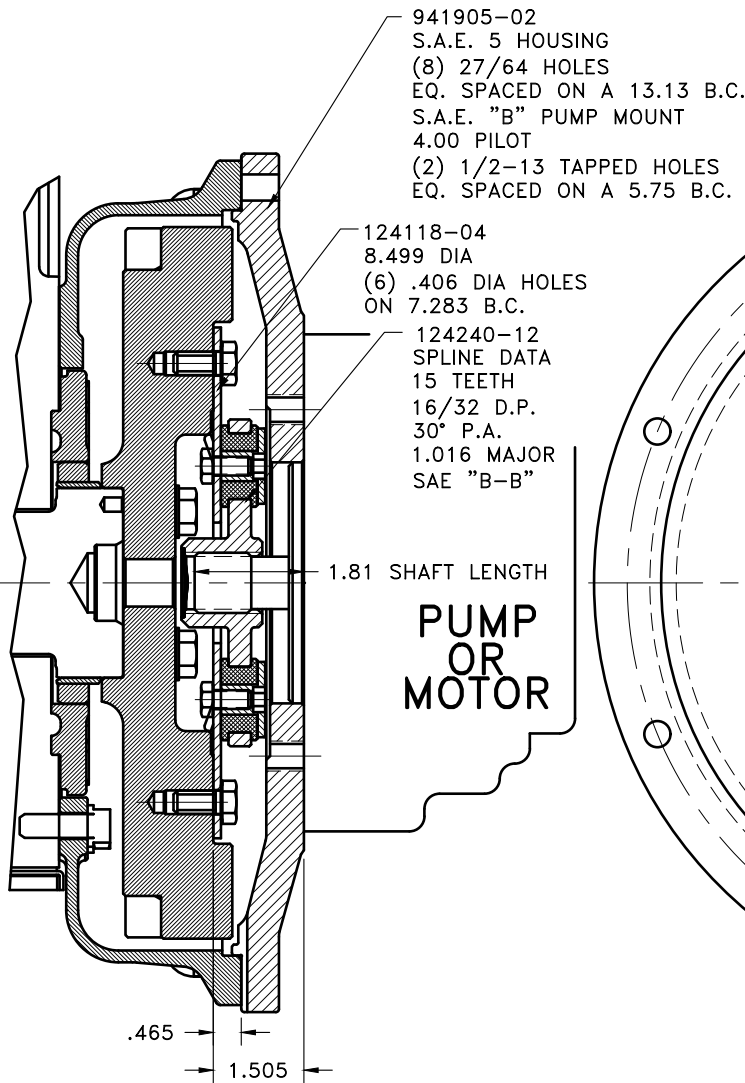


REV	DATE	CHANGE DESCRIPTION	MOD.BY	CK1	CK2
A	11/12/2015	ADDED BOLT KIT	LAWSON		



UP TO 75 H.P.

SUB-ASS'Y #128373

9	941757	BOLT KIT	1
8	941905-02	HOUSING [5]	1
7	801912	GREASE	1
6	HP-1125-S-32	GREASE PLUG	1
5	BOLT	5/16-24x5/8 HHB Y D	8
4	123729-01	THREADED BUSHING	8
3	H52500	NEOPRENE INSERT	8
2	124240-12	COUPLING HUB	1
1	124118-04	FLYWHEEL PLATE	1

FITS KUBOTA 2403-M, FITS
FLYWHEEL #1G850-25013 AND
HOUSING #1G850-04613 OR
SIMILAR PARTS.

THIS DRAWING IS THE PROPERTY OF HAYES MFG. INC. AND IS LOANED
SUBJECT TO THE CONDITION THAT IT SHALL NOT BE REPRODUCED,
COPIED, LOANED OR OTHERWISE DISPOSED OF, DIRECTLY OR INDIRECTLY.
IT SHALL BE USED AS A MEANS OF REFERENCE TO WORK FURNISHED BY
THIS COMPANY ONLY AND IS NOT TO BE SUBMITTED TO OUTSIDE PARTIES
FOR EXAMINATION WITHOUT OUR CONSENT.

SYMBOLS		DET.	PART NUMBER	DESCRIPTION	QTY.
	FLATNESS	DO NOT SCALE			
	STRAIGHTNESS	DRAWING			
	ANGULARITY	TOLERANCES UNLESS OTHERWISE SPECIFIED			
	PERPENDICULARITY				
	PARALLELISM				
	CONCENTRICITY	1/32" MAXIMUM			
	TRUE POSITION	ANGLE ±1/2°			
	ROUNDNESS	FRACTION ±1/32			
	CIRCULAR RUN OUT	DECIMAL			
	TOTAL RUN OUT	.00 ±.01			
	CYLINDRICITY	.000 ±.005			
	FINISH	.0000 ±.0005			
CLASS	MAKE: <input type="checkbox"/> BUY: <input type="checkbox"/>	DRAWN BY LAWSON		DATE 9-7-10	DRAWING NO. 941996
DESCRIPTION		CHECKED BY R/JH	SCALE	SHEET OF REV.	

HAYES
MANUFACTURING INC. ®

TITLE
FLYWHEEL COUPLING ASS'Y WITH PUMP MOUNT PLATE

MATERIAL