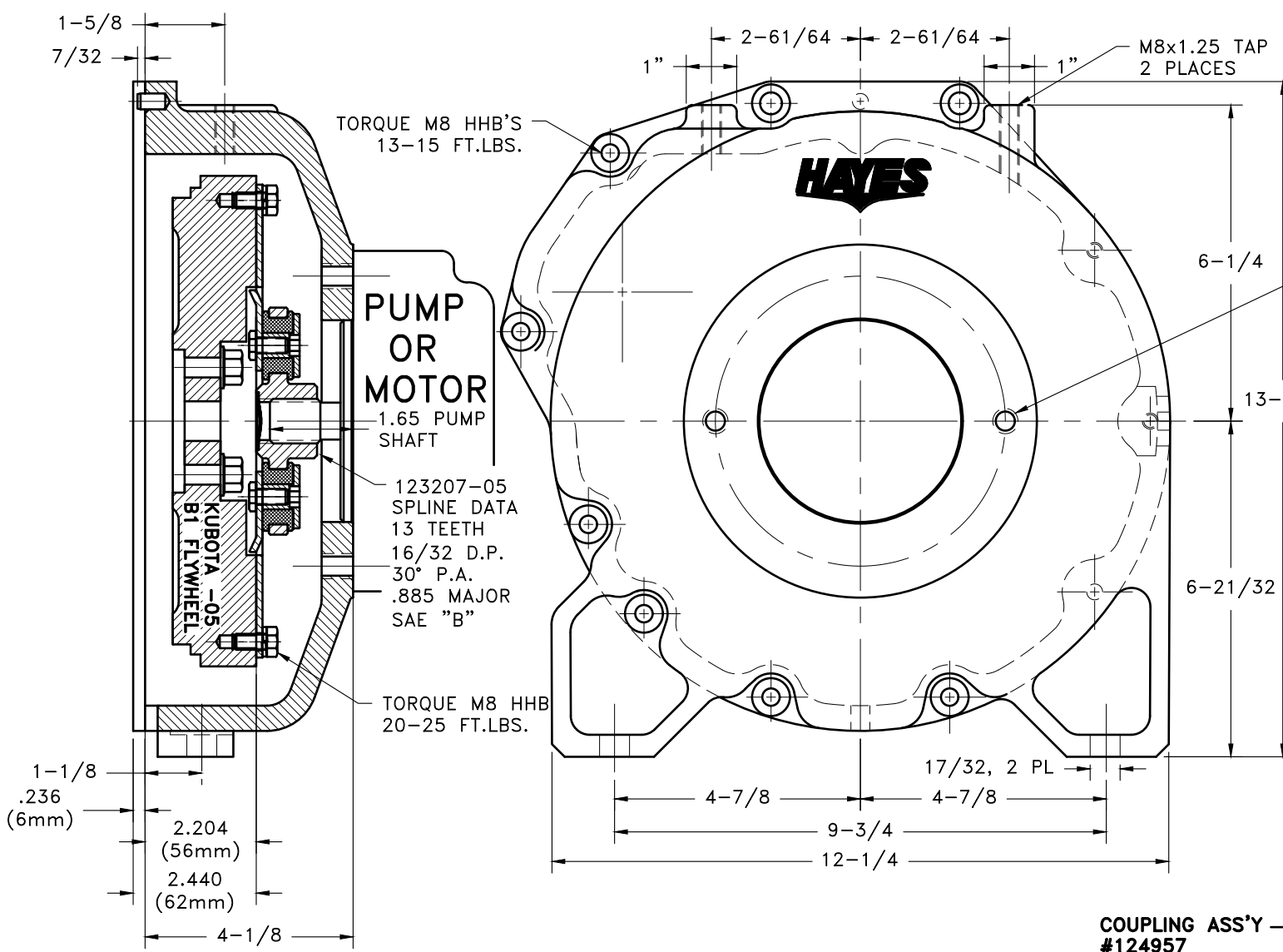


REV	DATE	CHANGE DESCRIPTION	MOD.BY	CK1	CK2
C	09/27/2006	CHANGED TO BOLTED INSERT.	ZS	RJH	HM



TORQUE M8 HHB'S
13-15 FT.LBS.

**PUMP
OR
MOTOR**

1.65 PUMP
SHAFT

123207-05
SPLINE DATA
13 TEETH
16/32 D.P.
30° P.A.
.885 MAJOR
SAE "B"

TORQUE M8 HHB
20-25 FT.LBS.

M8x1.25 TAP
2 PLACES

952088-02
SAE "B" 2-BOLT MOUNT
4.00 DIA PUMP PILOT
(2) 1/2-13 TAPPED HOLES
EQ. SPACED ON 5.75 B.C.

UP TO 50 HP

**COUPLING ASS'Y
#124957**

QTY.	PART NUMBER	DESCRIPTION
2	SD200x5/16x1/2 DOWEL PIN	DOWEL
1	BOLT KIT (PRE-ASSEMBLED)	952111
1	HOUSING	952088-02
1	GREASE	801912
1	HUBBARD PLUG	HP-1125-S-32
6	SPEC. 5/16-24x5/8 HHB Y D	HX300
6	THREADED BUSHING	123729-01
6	NEOPRENE INSERT	H52500
1	COUPLING HUB	123207-05
1	FLYWHEEL PLATE	124118-02

NOTES:

1. HOUSING FOR KUBOTA ENGINES D-905, D1005-B, D1105-B, V1205-B, V1305-P, AND V1505-B

2. USE FURNISHED COUPLING GREASE ON BOTH MALE AND FEMALE SPLINE.

THIS DRAWING IS THE PROPERTY OF HAYES MFG. INC. AND IS LOANED SUBJECT TO THE CONDITION THAT IT SHALL NOT BE REPRODUCED, COPIED, LOANED OR OTHERWISE DISPOSED OF, DIRECTLY OR INDIRECTLY. IT SHALL BE USED AS A MEANS OF REFERENCE TO WORK FURNISHED BY THIS COMPANY ONLY AND IS NOT TO BE SUBMITTED TO OUTSIDE PARTIES FOR EXAMINATION WITHOUT OUR CONSENT.

SYMBOLS	DET.	PART NUMBER	DESCRIPTION	QTY.
<ul style="list-style-type: none"> — FLATNESS — STRAIGHTNESS — ANGULARITY — PERPENDICULARITY — PARALLELISM — CONCENTRICITY — TRUE POSITION — ROUNDNESS — CIRCULAR RUN OUT — TOTAL RUN OUT — CYLINDRICITY — FINISH 	DO NOT SCALE DRAWING TOLERANCES UNLESS OTHERWISE SPECIFIED MAXIMUM ANGLE ±1/2° FRACTION ±1/32 DECIMAL .00 ±.01 .000 ±.005 .0000 ±.0005			
CLASS MAKE: <input type="checkbox"/> BUY: <input type="checkbox"/>		TITLE KUBOTA -05 SERIES HOUSING & COUPLING ASS'Y MATERIAL		DRAWN BY HAVEMAN DATE 2-17-98 DESIGN LEAD SCALE
DESCRIPTION		DRAWING NO. 952083 SHEET OF REV.		