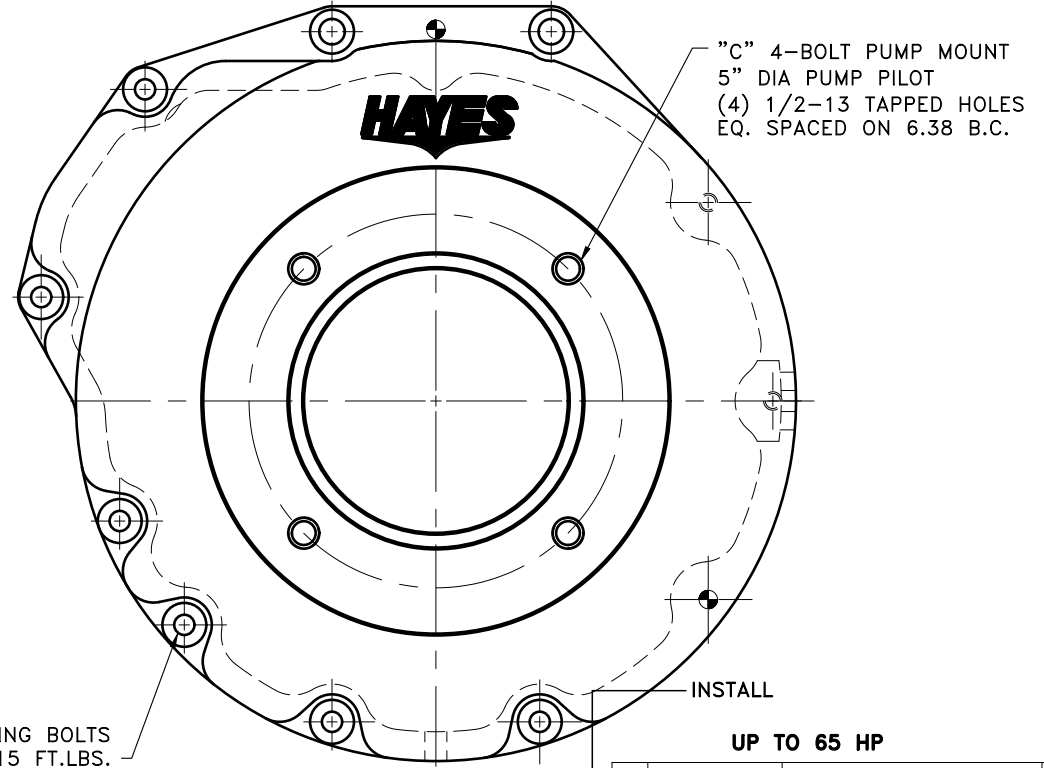
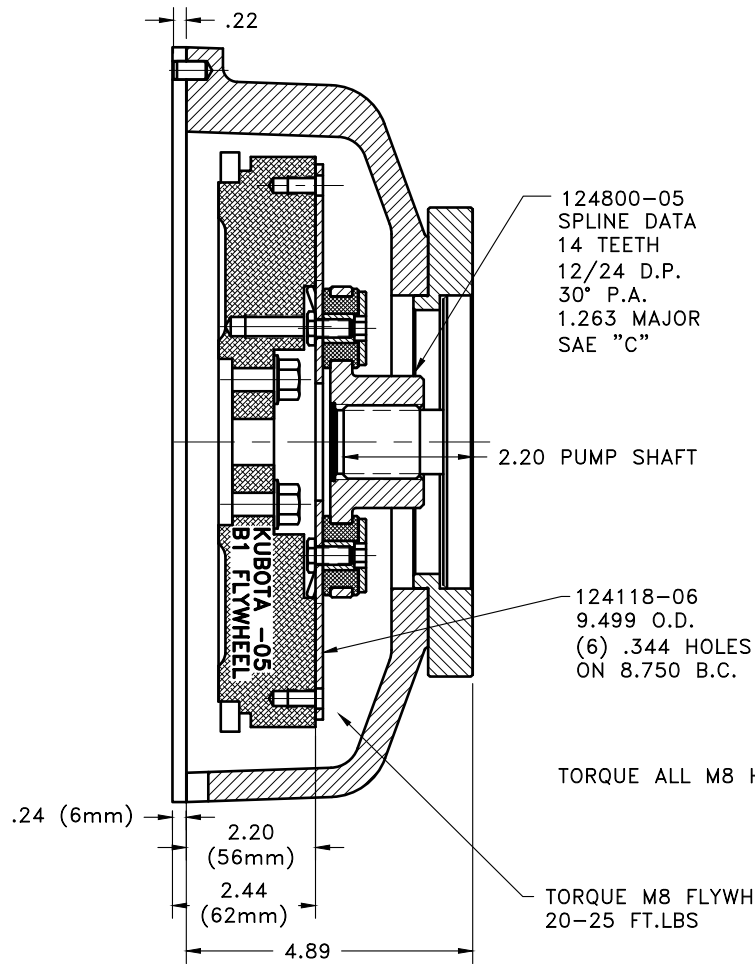


REV	DATE	CHANGE DESCRIPTION	MOD.BY	CK1	CK2
B	03/18/2009	CHANGED TO BOLTED INSERT	ZS	HM	RJH



NOTES:

1. HOUSING FOR KUBOTA ENGINES D-905, D1005-B, D1105-B, V1205-B, V1305-P, AND V1505-B

2. USE FURNISHED COUPLING GREASE ON BOTH MALE AND FEMALE SPLINE.

THIS DRAWING IS THE PROPERTY OF HAYES MFG. INC. AND IS LOANED SUBJECT TO THE CONDITION THAT IT SHALL NOT BE REPRODUCED, COPIED, LOANED OR OTHERWISE DISPOSED OF, DIRECTLY OR INDIRECTLY. IT SHALL BE USED AS A MEANS OF REFERENCE TO WORK FURNISHED BY THIS COMPANY ONLY AND IS NOT TO BE SUBMITTED TO OUTSIDE PARTIES FOR EXAMINATION WITHOUT OUR CONSENT.

TORQUE ALL M8 HOUSING BOLTS 13-15 FT.LBS.

TORQUE M8 FLYWHEEL BOLTS 20-25 FT.LBS

COUPLING ASS'Y #124729

QTY.	PART NUMBER	DESCRIPTION
1	125253-02	ADAPTER PLATE
1	952111	BOLT KIT (PRE-ASSEMBLED)
2	9	DOWEL SD200x5/16x1/2 DOWEL PIN
1	8	952066-03 HOUSING
1	7	801912 GREASE
1	6	HP-1312-S-62 HUBBARD PLUG
8	5	HX300 SPEC. 5/16-24x5/8 HHB Y D
8	4	123729-01 THREADED BUSHING
8	3	H52500 NEOPRENE INSERT
1	2	124800-05 COUPLING HUB
1	1	124118-06 FLYWHEEL PLATE

SYMBOLS	DET.	PART NUMBER	DESCRIPTION	QTY.
<ul style="list-style-type: none"> <li>≡ FLATNESS</li> <li>≡ STRAIGHTNESS</li> <li>≡ ANGULARITY</li> <li>⊥ PERPENDICULARITY</li> <li>∥ PARALLELISM</li> <li>⊙ CONCENTRICITY</li> <li>⊕ TRUE POSITION</li> <li>○ ROUNDNESS</li> <li>⊘ CIRCULAR RUN OUT</li> <li>⊘ TOTAL RUN OUT</li> <li>⊘ CYLINDRICITY</li> <li>✓ FINISH</li> </ul>	DO NOT SCALE DRAWING TOLERANCES UNLESS OTHERWISE SPECIFIED 1/32" MAXIMUM ANGLE ±1/2° FRACTION ±1/32 DECIMAL .00 ±.01 .000 ±.005 .0000 ±.0005		<b>HAYES</b> MANUFACTURING INC. ® TITLE <b>KUBOTA -05 HOUSING &amp; COUPLING ASS'Y</b> MATERIAL	
CLASS	MAKE: <input type="checkbox"/> BUY: <input type="checkbox"/>	DRAWN BY MAYCROFT	DATE 2-24-00	DRAWING NO. 952118
DESCRIPTION		CHECKED BY RJH	SCALE	SHEET OF REV. OF