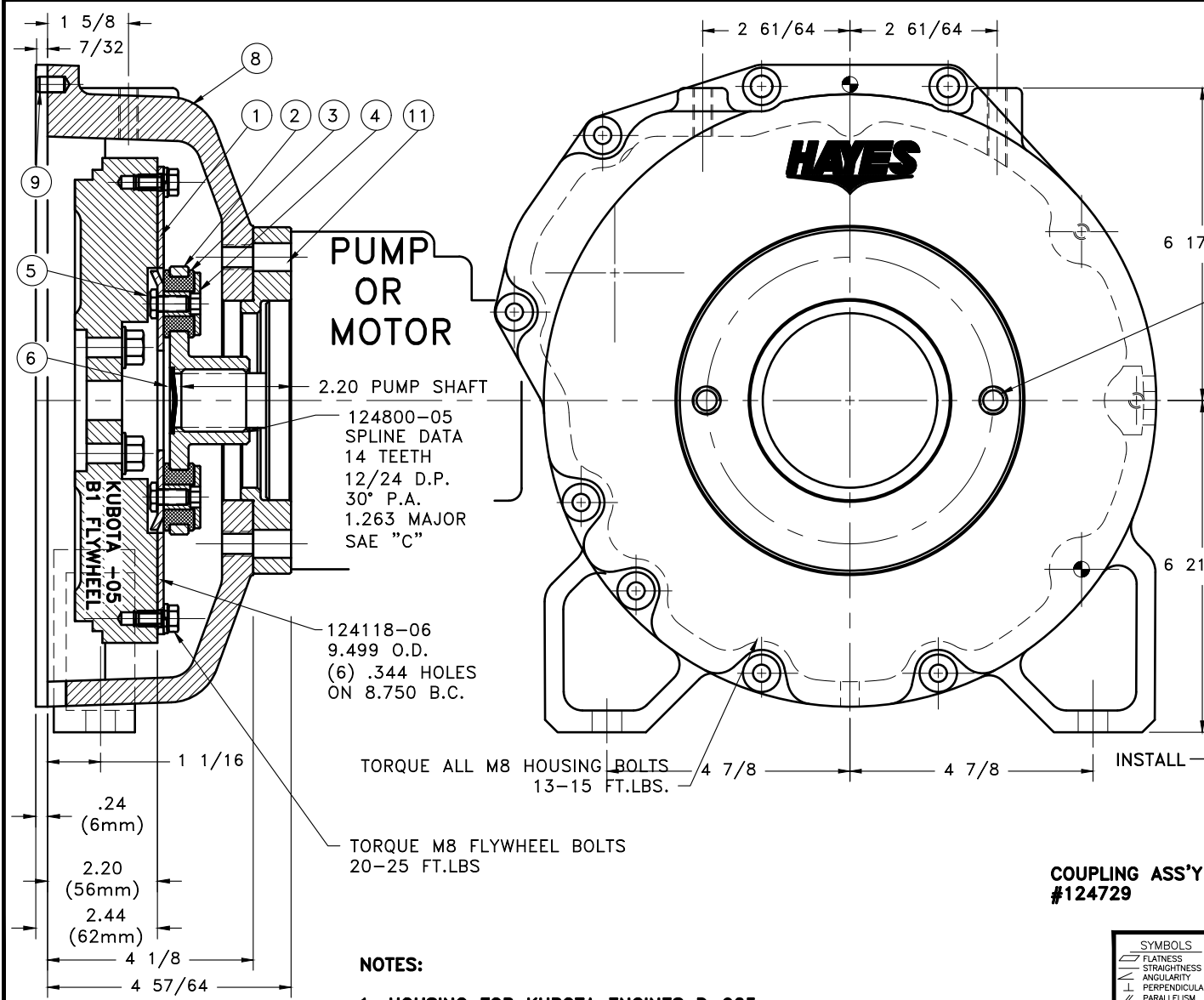


REV	DATE	CHANGE DESCRIPTION	MOD.BY	CK1	CK2



"B" 2-BOLT PUMP MOUNT  
 4" DIA PUMP PILOT  
 (2) 1/2-13 TAPPED HOLES  
 EQ. SPACED ON 5.75 B.C.

**PUMP  
 OR  
 MOTOR**

2.20 PUMP SHAFT  
 124800-05  
 SPLINE DATA  
 14 TEETH  
 12/24 D.P.  
 30° P.A.  
 1.263 MAJOR  
 SAE "C"

124118-06  
 9.499 O.D.  
 (6) .344 HOLES  
 ON 8.750 B.C.

TORQUE ALL M8 HOUSING BOLTS  
 13-15 FT.LBS.

TORQUE M8 FLYWHEEL BOLTS  
 20-25 FT.LBS

**NOTES:**

1. HOUSING FOR KUBOTA ENGINES D-905,  
 D1005-B, D1105-B, V1205-B, V1305-P, AND  
 V1505-B

2. USE FURNISHED COUPLING GREASE ON BOTH MALE  
 AND FEMALE SPLINE.

**COUPLING ASS'Y  
 #124729**

**UP TO 75 HP**

NO.	PART NUMBER	DESCRIPTION	QTY.
11	125084-04	ADAPTER PLATE	1
10	952111	BOLT KIT (PRE-ASSEMBLED)	1
9	DOWEL	SD200x5/16x1/2 DOWEL PIN	2
8	952088-02	HOUSING	1
7	801912	GREASE	1
6	HP-1312-S-62	HUBBARD PLUG	1
5	HX300	SPEC. 5/16-24x5/8 HHB Y D	8
4	123729-01	THREADED BUSHING	8
3	H52500	NEOPRENE INSERT	8
2	124800-05	COUPLING HUB	1
1	124118-06	FLYWHEEL PLATE	1

SYMBOLS		DET.	PART NUMBER	DESCRIPTION	QTY.
—	FLATNESS	DO NOT SCALE			
—	STRAIGHTNESS	DRAWING			
—	ANGULARITY	TOLERANCES UNLESS OTHERWISE SPECIFIED			
—	PERPENDICULARITY	1/32			
—	PARALLELISM	ANGLE ±1/2°			
—	CONCENTRICITY	FRACTION ±1/32			
—	TRUE POSITION	DECIMAL			
—	ROUNDNESS	.00 ±.01			
—	CIRCULAR RUN OUT	.000 ±.005			
—	TOTAL RUN OUT	.0000 ±.0005			
—	CYLINDRICITY				
—	FINISH				

**HAYES**  
 MANUFACTURING INC. ®

TITLE: **KUBOTA -05 HOUSING & COUPLING ASS'Y**

MATERIAL:

CLASS	MAKE: <input type="checkbox"/> BUY: <input type="checkbox"/>	DRAWN BY	DATE	DRAWING NO.
DESCRIPTION		SIETING	07-24-06	952187
		CHECKED BY	SCALE	SHEET OF REV.
		RJH		1 OF 1

THIS DRAWING IS THE PROPERTY OF HAYES MFG. INC. AND IS LOANED SUBJECT TO THE CONDITION THAT IT SHALL NOT BE REPRODUCED, COPIED, LOANED OR OTHERWISE DISPOSED OF, DIRECTLY OR INDIRECTLY. IT SHALL BE USED AS A MEANS OF REFERENCE TO WORK FURNISHED BY THIS COMPANY ONLY AND IS NOT TO BE SUBMITTED TO OUTSIDE PARTIES FOR EXAMINATION WITHOUT OUR CONSENT.